

# Gem R3



## Captivating display



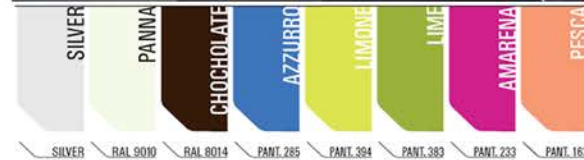
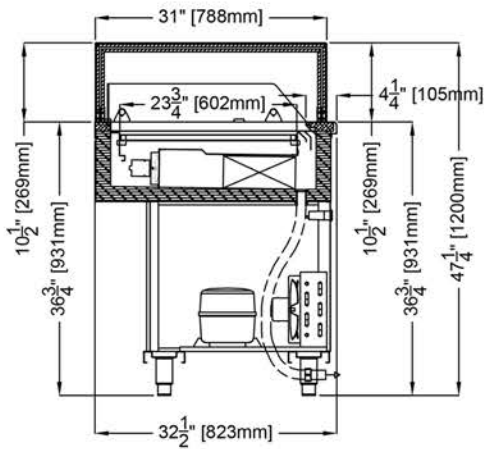
True to it's name... Walk into this state of the art display... All tempered glass construction including the access drawers, made to display your finest food items. LED lighting is standard.



*Discover the Art of Display...*

# GEM R3

# Deli/Pastry Showcase



## STANDARD FEATURES

- LED lighting system
- Extra clear double bridge glass upper structure
- Stainless steel lower interior foam tub
- Galvanized chassis structure
- All tempered glass
- Cases ship standard unfinished

## OPTIONS

- Cold storage
- Remote condensing unit
- Casters
- RAL color/laminate front and side panels
- Available in matching Gelato case



PHOTO SHOWN MATCHING GELATO

GEM R3 DELI/PASTRY						
TECHNICAL FEATURES		MODELS				
		GEM R3 DP1000	GEM R3 DP1300	GEM R3 DP1500	GEM R3 DP1700	GEM R3 DP2000
External Dimensions (L-D-H)	Inches	39 1/4" - 32 1/2" - 47 1/4"	51 1/4" - 32 1/2" - 47 1/4"	59" - 32 1/2" - 47 1/4"	67" - 32 1/2" - 47 1/4"	78 3/4" - 32 1/2" - 47 1/4"
	Inches-MM	1000 - 823 - 1200	1300 - 823 - 1200	1500 - 823 - 1200	1700 - 823 - 1200	2000 - 823 - 1200
Crated Dimensions (L-D-H)	Inches	45" - 39 3/8" - 53 1/8"	59" - 39 3/8" - 53 1/8"	67" - 39 3/8" - 53 1/8"	74 3/4" - 39 3/8" - 53 1/8"	84" - 39 3/8" - 53 1/8"
	Inches-MM	1150 - 1000 - 1350	1500 - 1000 - 1350	1700 - 1000 - 1350	1900 - 1000 - 1350	2150 - 1000 - 1350
Refrigeration	Type	Ventilated	Ventilated	Ventilated	Ventilated	Ventilated
Refrigeration Display Area	Type	Deck	Deck	Deck	Deck	Deck
Operating Temperature	°F	40°F	40°F	40°F	40°F	40°F
Compressor	Nr./Type	Hermetic	Hermetic	Hermetic	Hermetic	Hermetic
BTU'S @ +14°F Evap Temperature	BTU's	1610 BTU'S	2380 BTU'S	3150 BTU'S	3350 BTU'S	3980 BTU'S
Electric Supply	(V/Ph/Hz)	120/1/60	120/1/60	120/1/60	120/1/60	120/1/60
Power Consumption	(A)	8A	10A	11A	12A	14A
Defrost	Mode/Type	Air	Air	Air	Air	Air
Refrigerant Gas	Type	R404A	R404A	R404A	R404A	R404A
Net Weights	Kg/Lb	120Kgs / 264Lbs	135Kgs / 298Lbs	158Kgs / 348Lbs	187Kgs / 412Lbs	202Kgs / 445Lbs
Crated Weights	Kg/Lb	150Kgs / 330Lbs	165Kgs / 364Lbs	180Kgs / 388Lbs	217Kgs / 478Lbs	235Kgs / 518Lbs

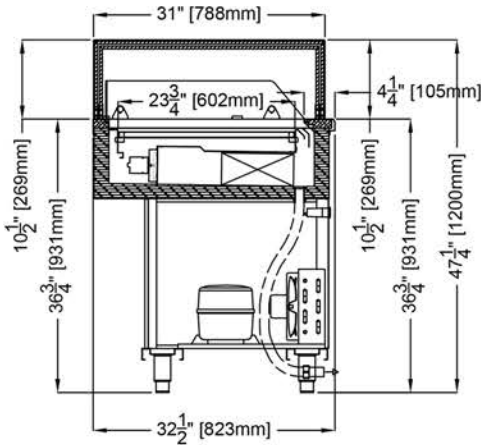
\* Dimensions are without side panels



361-367 Beach Road, Burlingame, CA 94010  
 Tel: 855.885.2400 | 650.342.2400 | Fax: 650.342.7400  
 sales@oscartek.com | www.oscartek.com







## STANDARD FEATURES

- LED lighting system
- Extra clear double bridge glass upper structure
- Stainless steel lower interior foam tub
- Galvanized chassis structure
- All tempered glass
- Humidity control
- Cases ship standard unfinished

## OPTIONS

- Remote condensing unit
- Casters
- RAL color/laminate front and side panels
- Available in matching Gelato case



PHOTO SHOWN MATCHING GELATO

## GEM R3 CHOCOLATE

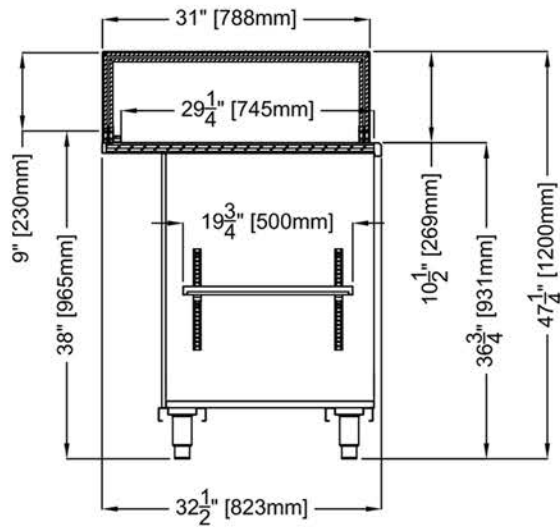
TECHNICAL FEATURES		MODELS				
		GEM R3 C1000	GEM R3 C1300	GEM R3 C1500	GEM R3 C1700	GEM R3 C2000
External Dimensions (L-D-H)	Inches	39 1/4" - 32 1/2" - 47 1/4"	51 1/4" - 32 1/2" - 47 1/4"	59" - 32 1/2" - 47 1/4"	67" - 32 1/2" - 47 1/4"	78 3/4" - 32 1/2" - 47 1/4"
	Inches-MM	1000 - 823 - 1200	1300 - 823 - 1200	1500 - 823 - 1200	1700 - 823 - 1200	2000 - 823 - 1200
Crated Dimensions (L-D-H)	Inches	45" - 39 3/8" - 53 1/8"	59" - 39 3/8" - 53 1/8"	67" - 39 3/8" - 53 1/8"	74 3/4" - 39 3/8" - 53 1/8"	84" - 39 3/8" - 53 1/8"
	Inches-MM	1150 - 1000 - 1350	1500 - 1000 - 1350	1700 - 1000 - 1350	1900 - 1000 - 1350	2150 - 1000 - 1350
Humidity Control	Type	35-70%	35-70%	35-70%	35-70%	35-70%
Refrigeration	Type	Ventilated	Ventilated	Ventilated	Ventilated	Ventilated
Refrigeration Display Area	Type	Deck	Deck	Deck	Deck	Deck
Operating Temperature	°F	55°F	55°F	55°F	55°F	55°F
Compressor	Nr./Type	Hermetic	Hermetic	Hermetic	Hermetic	Hermetic
BTU'S @ +35°F Evap Temperature	BTU'S	1610 BTU'S	2380 BTU'S	3150 BTU'S	3350 BTU'S	3980 BTU'S
Electric Supply	(V/Ph/Hz)	220/1/60	220/1/60	220/1/60	220/1/60	220/1/60
Power Consumption	(A)	10A	12A	12A	14A	16A
Defrost	Mode/Type	Air	Air	Air	Air	Air
Humidity Control	---	Yes	Yes	Yes	Yes	Yes
Refrigerant Gas	Type	R404A	R404A	R404A	R404A	R404A
Net Weights	Kg/Lb	122Kgs / 268Lbs	136Kgs / 200Lbs	160Kgs / 352Lbs	188Kgs / 414Lbs	203Kgs / 447Lbs
Crated Weights	Kg/Lb	152Kgs / 334Lbs	166Kgs / 366Lbs	182Kgs / 400Lbs	218Kgs / 480Lbs	236Kgs / 520Lbs

\* Dimensions are without side panels



361-367 Beach Road, Burlingame, CA 94010  
 Tel: 855.885.2400 | 650.342.2400 | Fax: 650.342.7400  
 sales@oscartek.com | www.oscartek.com





### STANDARD FEATURES

- LED lighting system
- Extra clear double bridge glass upper structure
- Stainless steel lower interior foam tub
- Galvanized chassis structure
- All tempered glass
- Cases ship standard unfinished

### OPTIONS

- Remote condensing unit
- Casters
- RAL color/laminate front and side panels
- Available in matching Gelato case



PHOTO SHOWN MATCHING GELATO

GEM R3 NEUTRAL				
TECHNICAL FEATURES		MODELS		
		GEM R3 N1000	GEM R3 N1500	GEM R3 N2000
External Dimensions (L-D-H)	Inches	39 1/4" - 32 1/2" - 47 1/4"	59" - 32 1/2" - 47 1/4"	78 3/4" - 32 1/2" - 47 1/4"
	MM	1000 - 823 - 1200	1500 - 823 - 1200	2000 - 823 - 1200
Crated Dimensions (L-D-H)	Inches	45" - 39 3/8" - 53 1/8"	67" - 39 3/8" - 53 1/8"	84" - 39 3/8" - 53 1/8"
	MM	1150 - 1000 - 1350	1700 - 1000 - 1350	2150 - 1000 - 1350
Operating Temperature	°F	Ambient	Ambient	Ambient
Electric Supply	(V/Ph/Hz)	120/1/60	120/1/60	120/1/60
Power Consumption	(A)	3A	4A	6A
Net Weights	Kg/Lb	105Kgs / 210Lbs	133Kgs / 293Lbs	147Kgs / 324Lbs
Crated Weights	Kg/Lb	125Kgs / 254Lbs	155Kgs / 340Lbs	164Kgs / 360Lbs

\* Dimensions are without side panels



361-367 Beach Road, Burlingame, CA 94010  
 Tel: 855.885.2400 | 650.342.2400 | Fax: 650.342.7400  
 sales@oscartek.com | www.oscartek.com

