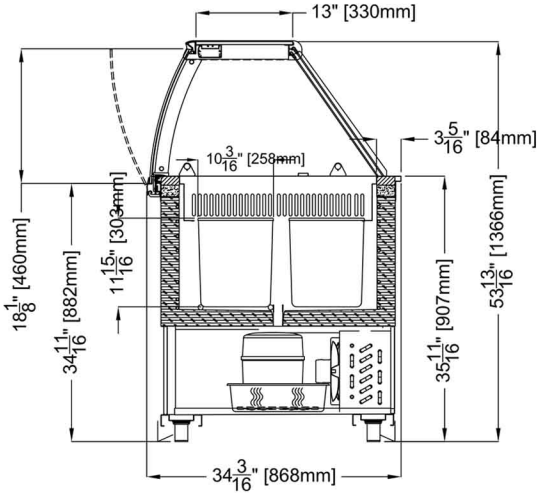
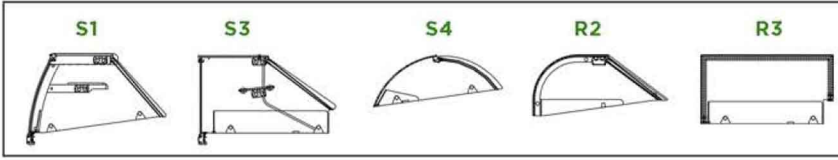


CLASSIC STATIC

Ice Cream/ Gelato Round Tubs Showcase

TOP GLASS OPTIONS



STANDARD FEATURES

- Stainless steel insulated body with tubular painted galvanized chassis
- Silver trim finish
- Dixell digital controller
- Air cooled condensing unit
- Tempered front and side glass single pane with anti-fog serigraph
- Tilt back front glass
- LED lighting
- Plexiglass sliding doors
- Stainless steel work bench
- Cases ship standard unfinished front and stainless steel skin sides



OPTIONS

- Champagne trim finish
- Custom stainless steel deck
- Wheels kit
- Dip well
- Cone holder
- Frozen cake stainless steel trays
- Marble/granite work counter
- RAL color finish/wood laminate
- Roll down curtain
- Remote/self contained water cooled unit
- Matching front cabinetry counters with top glass

CLASSIC STATIC				
TECHNICAL FEATURES		MODELS		
		1000	1500	2000
External Dimensions (L-D-H)	Inches	39 1/2" - 34 3/16" - 53 13/16"	59 1/16" - 34 3/16" - 53 13/16"	78 3/4" - 34 3/16" - 53 13/16"
	Inches-MM	1000 - 868 - 1366	1500 - 868 - 1366	2000 - 868 - 1366
Crated Dimensions (L-D-H)	Inches	44" - 40" - 59"	65" - 40" - 59"	84" - 40" - 59"
	Inches-MM	1117 - 1016 - 1498	1600 - 1016 - 1498	2133 - 1016 - 1498
Number of Round Tubs	#	6	10	14
Power Supply	(V/Hz)	220V/60Hz	220V/60Hz	220V/60Hz
Amperage	(A)	8A	14A	15A
Operating Temperature	°C / °F	-10°F to 0°F	-10°F to 0°F	-10°F to 0°F
Cooling BTU's	BTU'S	2200	2800	3400
Net Weights	Kg/Lb	165Kg / 363Lb	220Kg / 484Lb	274Kg / 602Lb
Crated Weights	Kg/Lb	180Kg / 396Lb	240Kg / 528Lb	298Kg / 655Lb

* Manufacturer reserves the right to change specifications without notice. Not responsible for error and omissions.



361-367 Beach Road, Burlingame, CA 94010
 Tel: 855.885.2400 | 650.342.2400 | Fax: 650.342.7400
 sales@oscartek.com | www.oscartek.com

