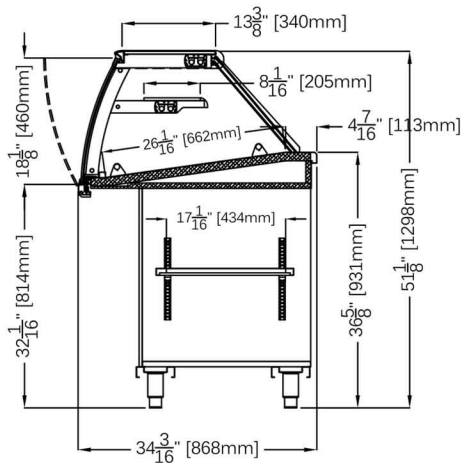


CLASSIC II

Neutral Showcase

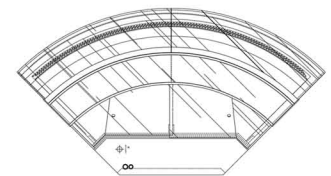


STANDARD FEATURES

- Stainless steel interior body with tubular painted galvanized chassis
- Silver trim finish
- Tilt back front glass
- LED lighting
- Plexiglass sliding doors
- Stainless steel work bench
- Cases ship standard unfinished front and stainless steel skin side

OPTIONS

- Marble/Granite work counter
- RAL color finish/wood laminate
- Champagne trim finish
- Matching front cabinetry counters with top glass
- Canopy lighting
- Heated glass shelf with electronic control
- Casters



90° Open Corner

CLASSIC II NEUTRAL						
TECHNICAL FEATURES		MODELS				
		CLASSIC II CIIN900	CLASSIC II CIIN1300	CLASSIC II CIIN1700	CLASSIC II CIIN2106	CLASSIC II CIINA90
External Dimensions (L-D-H)	Inches	35 7/16" - 34 3/16" - 51 1/8"	51 3/16" - 34 3/16" - 51 1/8"	66 15/16" - 34 3/16" - 51 1/8"	82 15/16" - 34 3/16" - 51 1/8"	80 7/8" - 34 3/16" - 51 1/8"
	Inches-MM	900 - 868 - 1298	1300 - 868 - 1298	1700 - 868 - 1298	1/8" 2106 - 868 - 1298	2055 - 868 - 1298
Crated Dimensions (L-D-H)	Inches	43 1/3" - 39 3/8" - 55 1/8"	59" - 39 3/8" - 55 1/8"	74 7/8" - 39 3/8" - 55 1/8"	90 1/2" - 39 3/8" - 55 1/8"	87" - 45" - 55 1/8"
	Inches-MM	1100 - 1000 - 1400	1500 - 1000 - 1400	1900 - 1000 - 1400	2300 - 1000 - 1400	2209 - 1143 - 1400
Power Supply	(V)	120V	120V	120V	120V	120V
Amperage	(A)	2A	3A	4A	5A	5A
Operating Temperature	°F	Ambient	Ambient	Ambient	Ambient	Ambient
Net Weights	Kg/Lb	94Kgs / 216Lbs	118Kgs / 271Lbs	130Kgs / 299Lbs	150Kgs / 330Lbs	140Kgs / 308Lbs
Crated Weights	Kg/Lb	110Kgs / 253Lbs	138Kgs / 318Lbs	155Kgs / 356Lbs	180Kgs / 396Lbs	175Kgs / 385Lbs

* Dimensions are without side panels

* Manufacturer reserves the right to change specifications without notice. Not responsible for error and omissions.



361-367 Beach Road, Burlingame, CA 94010
 Tel: 855.885.2400 | 650.342.2400 | Fax: 650.342.7400
 sales@oscartek.com | www.oscartek.com

