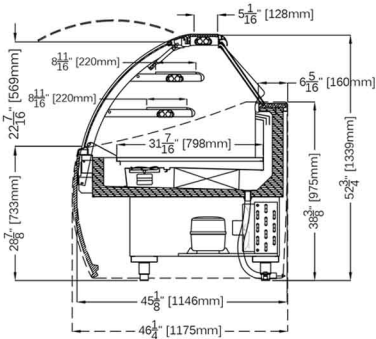
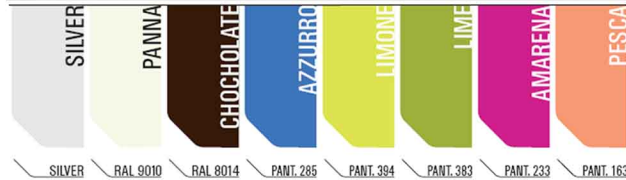
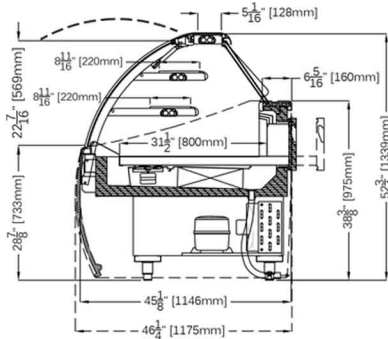


DELI/PASTRY WITHOUT DRAWERS



DELI/PASTRY WITH DRAWERS



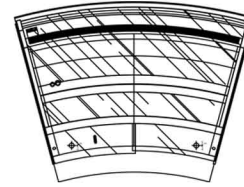
STANDARD FEATURES

- Top shelf non-refrigerated
- Refrigerated lower shelf + deck
- LED lighting on each shelf
- Automatic electric defrost
- Cases ship standard unfinished

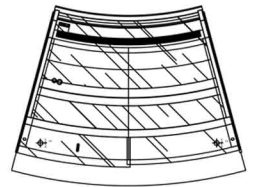
OPTIONS

- Flat or round front/side panels
- Remote condensing unit
- Condensate water tray with electric evaporation
- RAL color/laminate front and side panels
- Casters

30° Open



30° Closed



CORA DELI/PASTRY						
TECHNICAL FEATURES		MODELS				
		CORA DP1110	CORA DP1610	CORA DP2106	CORA DPA30	CORA DPC30
External Dimensions (L-D-H)	Inches	*43 11/16 - 45 1/8" - 52 3/4"	*63 3/8" - 45 1/8" - 52 3/4"	*82 15/16" - 45 1/8" - 52 3/4"	*63 1/4" - 45 1/8" - 52 3/4"	*38 5/8" - 45 1/8" - 52 3/4"
	Inches-MM	*1110 - 1146 - 1339	*1610 - 1146 - 1339	*2106 - 1146 - 1339	*1607 - 1146 - 1339	*981 - 1146 - 1339
Crated Dimensions (L-D-H)	Inches	50 1/8" - 53 1/8" - 63"	70 7/8" - 53 1/8" - 63"	89 1/2" - 53 1/8" - 63"	70" - 53 1/8" - 63"	45" - 53 1/8" - 63"
	Inches-MM	1273 - 1350 - 1600	1800 - 1350 - 1600	2273 - 1350 - 1600	1778 - 1350 - 1600	1143 - 1350 - 1600
Refrigeration	Type	Fan Ventilated	Fan Ventilated	Fan Ventilated	Fan Ventilated	Fan Ventilated
Refrigeration Display Area	Type	Deck + Lower Shelf	Deck + Lower Shelf	Deck + Lower Shelf	Deck + Lower Shelf	Deck + Lower Shelf
Operating Temperature	°C / °F	+4°C / 39°F	+4°C / 39°F	+4°C / 39°F	+4°C / 39°F	+4°C / 39°F
Compressor	Nr./Type	1 / Hermetic	1 / Hermetic	1 / Hermetic	1 / Hermetic	1 / Hermetic
BTU'S @ +14°F Evap Temperature	BTU'S	3200 BTU'S	3840 BTU'S	4480 BTU'S	3840 BTU'S	3840 BTU'S
		230/1/50 (EU)	230/1/50 (EU)	230/1/50 (EU)	230/1/50 (EU)	230/1/50 (EU)
Electric Supply	(V/Ph/Hz)	120/1/60 (USA)	120/1/60 (USA)	120/1/60 (USA)	120/1/60 (USA)	120/1/60 (USA)
Power Consumption	(W/A)	1085W / 8.2A	1190W / 8A	1490W / 9A	1170W / 8A	1140W / 8A
Defrost	Mode/Type	Electric	Electric	Electric	Electric	Electric
Climatic Class	N°/°C/F°/H.R.	4+/35/95/70%	4+/35/95/70%	4+/35/95/70%	4+/35/95/70%	4+/35/95/70%
Refrigerant Gas	Type	R452A	R452A	R452A	R452A	R452A
Net Weights	Kg/Lb	205Kgs / 650Lbs	275Kgs / 606Lbs	340Kgs / 749Lbs	250Kgs / 551Lbs	250Kgs / 551Lbs
Crated Weights	Kg/Lb	315Kgs / 694Lbs	425Kgs / 936Lbs	530Kgs / 1168Lbs	400Kgs / 881Lbs	400Kgs / 881Lbs

* DIMENSIONS ARE WITHOUT SIDE PANELS



361-367 Beach Road, Burlingame, CA 94010
 Tel: 855.885.2400 | 650.342.2400 | Fax: 650.342.7400
 sales@oscartek.com | www.oscartek.com

