



Discover the Art of Display...

Project Name: \_\_\_\_\_

Item #: \_\_\_\_\_ Quantity: \_\_\_\_\_

### STANDARD FEATURES

- Available in 3 heights: 47”H, 53”H, and 59”H
- Chrome finishing
- Diamond 1 Linear Models: Refrigerated deck + shelf. Heated front, top, and side glasses
- Diamond 1 DPA30 & DPC30 Models: Refrigerated deck only. Non-refrigerated shelf. Heated front and side glasses
- Diamond 2 All Models: Refrigerated deck + lower shelf. Top shelf non-refrigerated. Heated front and side glasses
- Diamond 3 All Models: Refrigerated deck + lower shelf. Top (2) shelves non-refrigerated. Heated front and side glasses
- Diffused LED lighting 3000°K
- Electric control board
- Electric defrost
- Front glass with safety tilt down opening system
- Pyrolytic anti-fog front and side glass
- Cases ship standard unfinished front and stainless steel skin sides

### OPTIONS

- Remote condensing unit
- Work top (brushed s/s, corian, granite)
- Stainless steel step shelf
- Epoxy RAL color interior and exterior over stainless steel
- RAL color/custom plastic wood laminate exterior front and sides
- Pastry with drawer(s)
- Unfinished panels to accept millwork by others
- Condensate heated pan
- Casters



Visit our website for more finishing options and RAL colors [www.oscartek.com](http://www.oscartek.com)

# DIAMOND 1-2-3

## Deli/Pastry Showcase

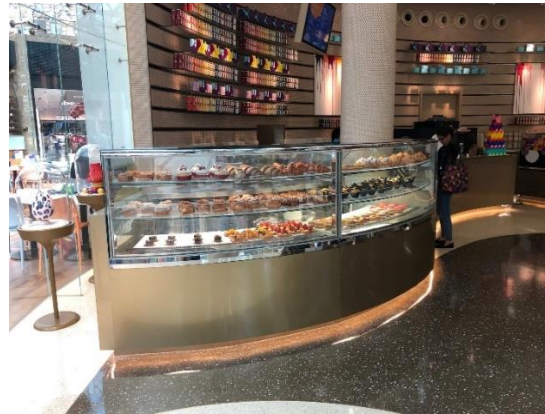
**DIAMOND 1 DELI/PASTRY MODELS:** DIAMOND 1 DP1110, DIAMOND 1 DP1610, DIAMOND 1 DP2106, DIAMOND 1 DPA30, DIAMOND 1 DPC30

**DIAMOND 2 DELI/PASTRY MODELS:** DIAMOND 2 DP1110, DIAMOND 2 DP1610, DIAMOND 2 DP2106, DIAMOND 2 DPA30, DIAMOND 2 DPC30

**DIAMOND 3 DELI/PASTRY MODELS:** DIAMOND 3 DP1110, DIAMOND 3 DP1610, DIAMOND 3 DP2106, DIAMOND 3 DPA30, DIAMOND 3 DPC30



Diamond 2 Deli/Pastry with custom wood laminate front finish



Diamond 2 Deli/Pastry DPA30 (30°) with custom gold front finish

\*Oscartek reserves the right to change, modify, discontinue, or change any features, sizes, or capacity on any model without prior notice.

OSCARTEK®  
512 South Airport Blvd., South San Francisco, CA 94080  
Tel: 650.342.2400 | Fax: 650.342.7400  
www.oscartek.com



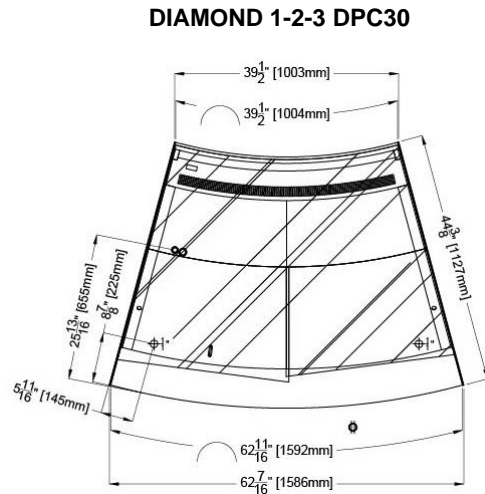
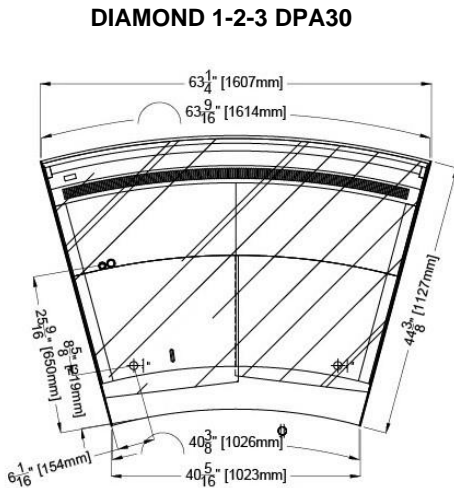
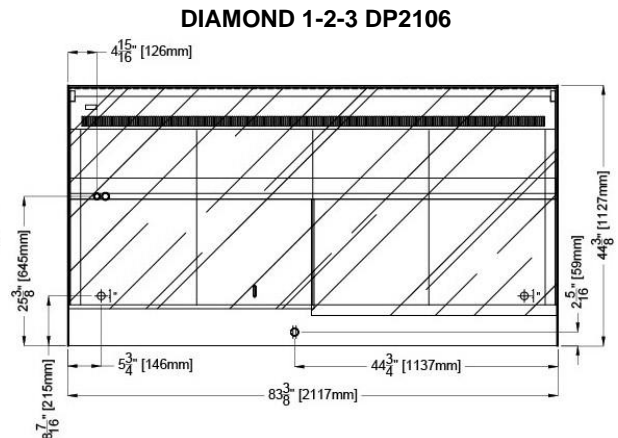
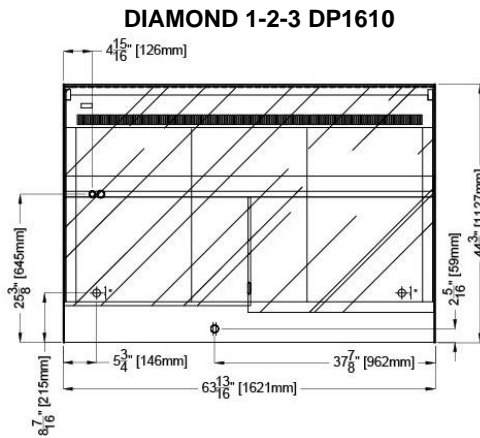
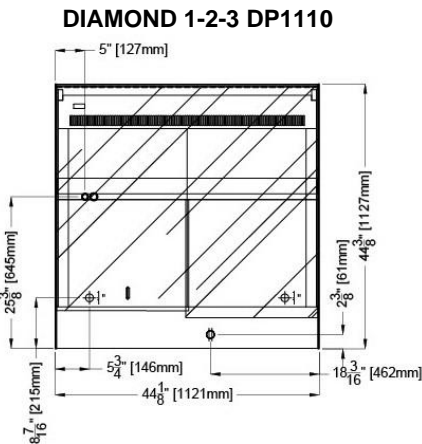
## DIAMOND 1-2-3 DELI/PASTRY


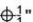

**DIAMOND 1 DELI/PASTRY MODELS:** DIAMOND 1 DP1110, DIAMOND 1 DP1610, DIAMOND 1 DP2106, DIAMOND 1 DPA30, DIAMOND 1 DPC30

**DIAMOND 2 DELI/PASTRY MODELS:** DIAMOND 2 DP1110, DIAMOND 2 DP1610, DIAMOND 2 DP2106, DIAMOND 2 DPA30, DIAMOND 2 DPC30

**DIAMOND 3 DELI/PASTRY MODELS:** DIAMOND 3 DP1110, DIAMOND 3 DP1610, DIAMOND 3 DP2106, DIAMOND 3 DPA30, DIAMOND 3 DPC30

### STANDARD: DIAMOND 1-2-3 DELI/PASTRY PLAN VIEWS



ELECTRICAL LEGEND	
	REFRIGERATION LINES
	DRAIN
	POWER

\*Oscartek reserves the right to change, modify, discontinue, or change any features, sizes, or capacity on any model without prior notice.

## DIAMOND 1-2-3 DELI/PASTRY

**DIAMOND 1 DELI/PASRTY MODELS:** DIAMOND 1 DP1110, DIAMOND 1 DP1610, DIAMOND 1 DP2106, DIAMOND 1 DPA30, DIAMOND 1 DPC30

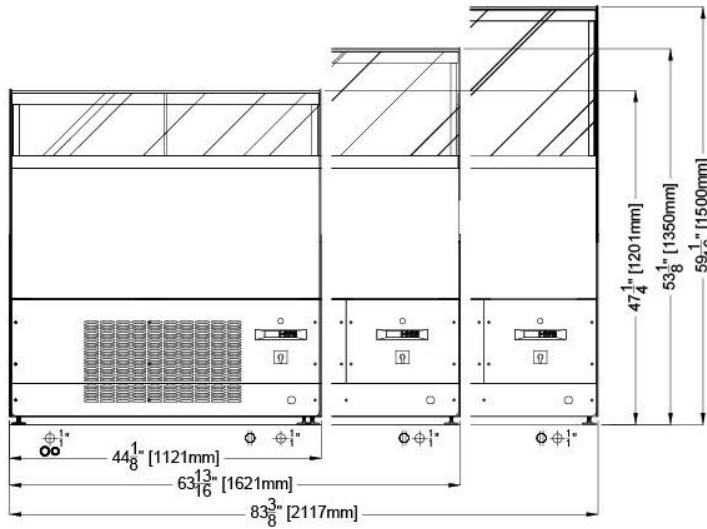
**DIAMOND 2 DELI/PASTRY MODELS:** DIAMOND 2 DP1110, DIAMOND 2 DP1610, DIAMOND 2 DP2106, DIAMOND 2 DPA30, DIAMOND 2 DPC30

**DIAMOND 3 DELI/PASTRY MODELS:** DIAMOND 3 DP1110, DIAMOND 3 DP1610, DIAMOND 3 DP2106, DIAMOND 3 DPA30, DIAMOND 3 DPC30

### STANDARD: DIAMOND 1-2-3 DELI/PASTRY

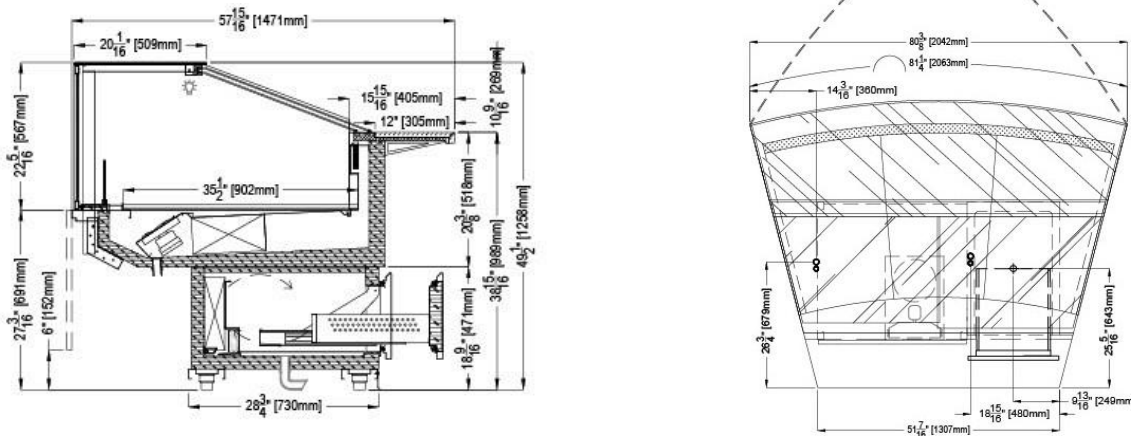
#### REAR ELEVATIONS (OPERATOR SIDE)

DIAMOND 1-2-3 DP1110, DP1610, DP2106



### OPTIONAL: CUSTOM DIAMOND A30 WITH COLD STORAGE DRAWER

#### SECTION & PLAN VIEW



\*Oscartek reserves the right to change, modify, discontinue, or change any features, sizes, or capacity on any model without prior notice.

OSCARTEK®  
512 South Airport Blvd., South San Francisco, CA 94080  
Tel: 650.342.2400 | Fax: 650.342.7400  
www.oscartek.com



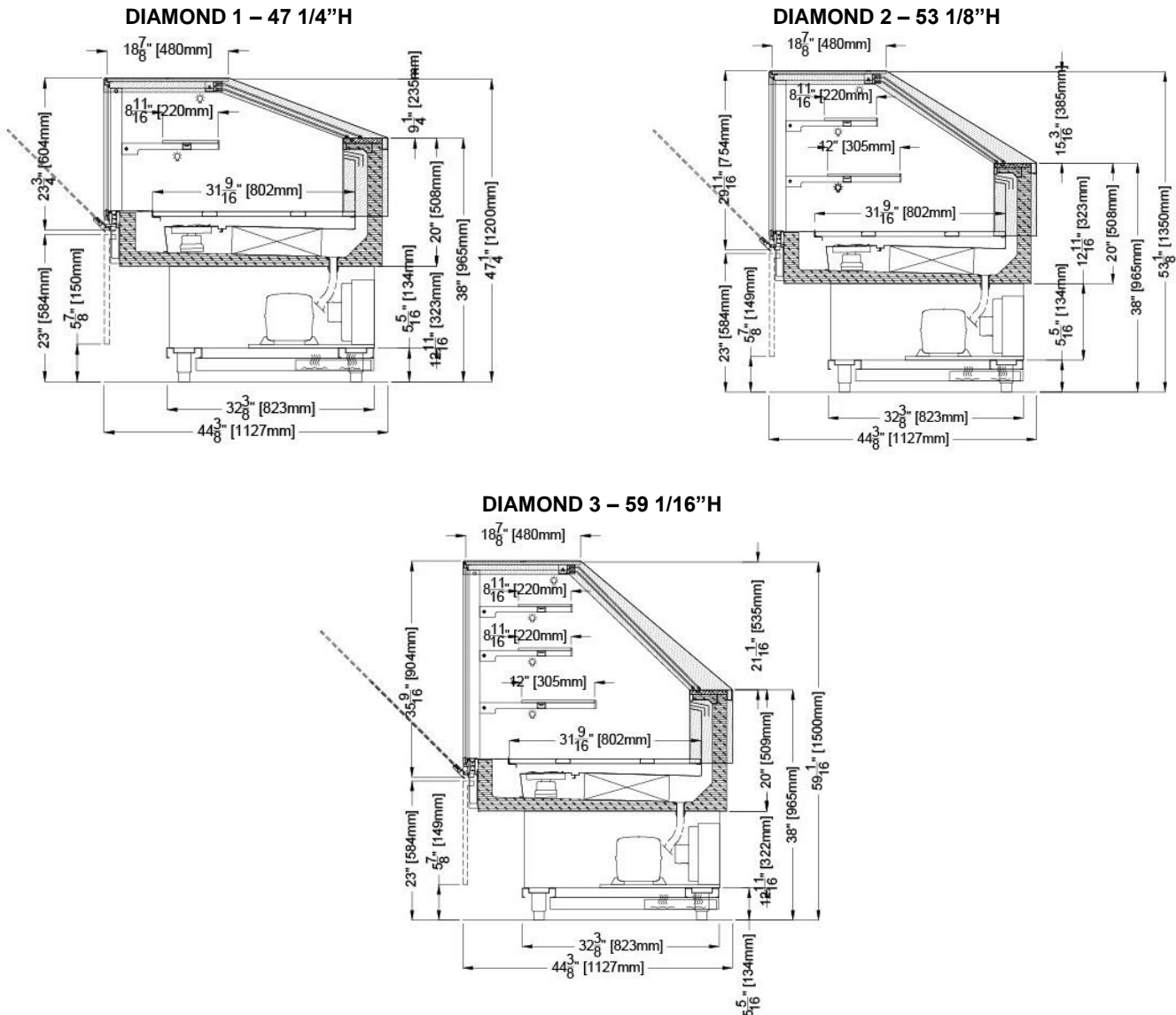
## DIAMOND 1-2-3 DELI/PASTRY

**DIAMOND 1 DELI/PASTRY MODELS:** DIAMOND 1 DP1110, DIAMOND 1 DP1610, DIAMOND 1 DP2106, DIAMOND 1 DPA30, DIAMOND 1 DPC30

**DIAMOND 2 DELI/PASTRY MODELS:** DIAMOND 2 DP1110, DIAMOND 2 DP1610, DIAMOND 2 DP2106, DIAMOND 2 DPA30, DIAMOND 2 DPC30

**DIAMOND 3 DELI/PASTRY MODELS:** DIAMOND 3 DP1110, DIAMOND 3 DP1610, DIAMOND 3 DP2106, DIAMOND 3 DPA30, DIAMOND 3 DPC30

### STANDARD: DIAMOND 1-2-3 DELI/PASTRY SECTION VIEWS



\*Oscartek reserves the right to change, modify, discontinue, or change any features, sizes, or capacity on any model without prior notice.

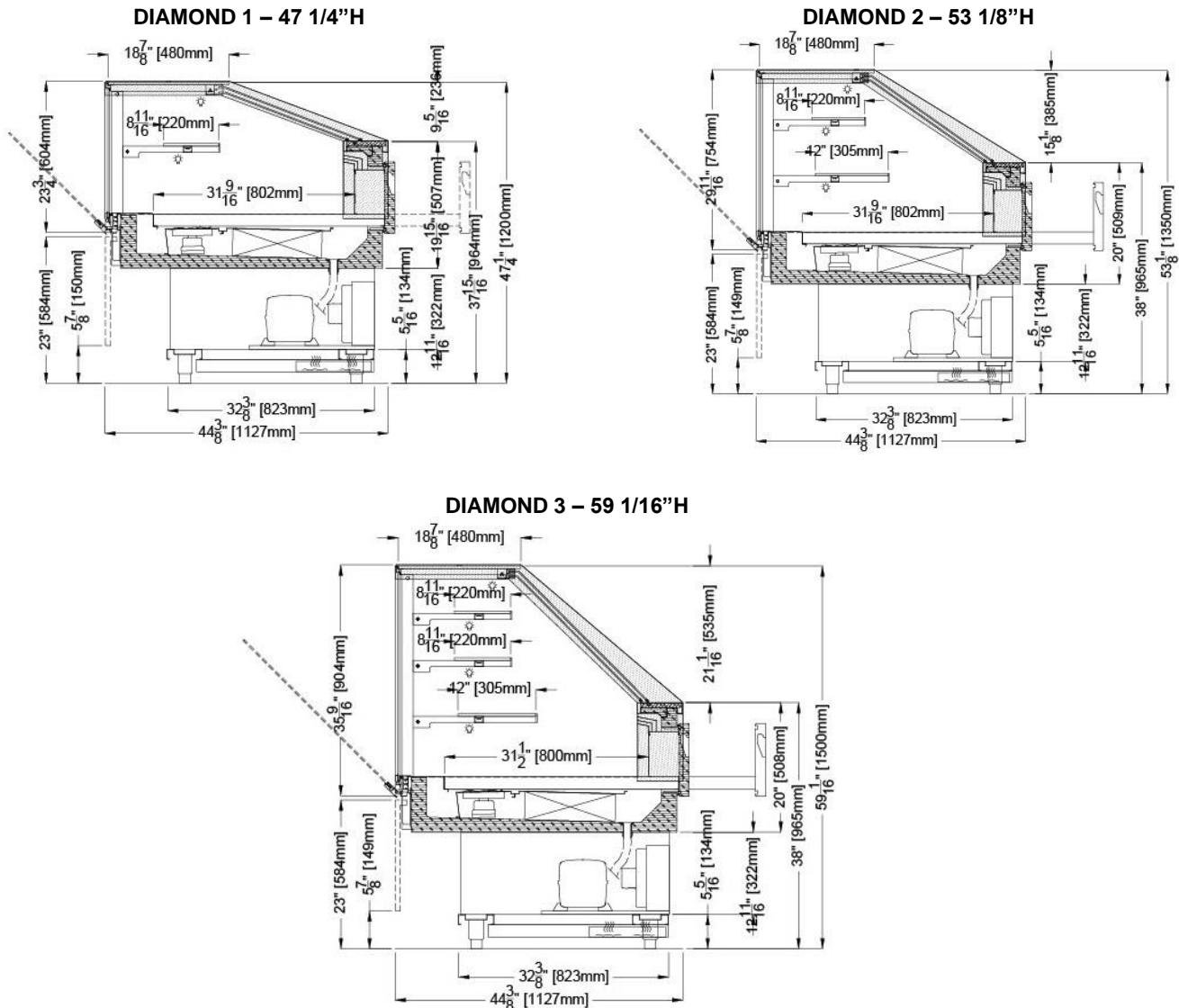
## DIAMOND 1-2-3 DELI/PASTRY

**DIAMOND 1 DELI/PASTRY MODELS:** DIAMOND 1 DP1110, DIAMOND 1 DP1610, DIAMOND 1 DP2106, DIAMOND 1 DPA30, DIAMOND 1 DPC30

**DIAMOND 2 DELI/PASTRY MODELS:** DIAMOND 2 DP1110, DIAMOND 2 DP1610, DIAMOND 2 DP2106, DIAMOND 2 DPA30, DIAMOND 2 DPC30

**DIAMOND 3 DELI/PASTRY MODELS:** DIAMOND 3 DP1110, DIAMOND 3 DP1610, DIAMOND 3 DP2106, DIAMOND 3 DPA30, DIAMOND 3 DPC30

### OPTIONAL: DIAMOND 1-2-3 DELI/PASTRY WITH DRAWERS SECTION VIEWS



\*Oscartek reserves the right to change, modify, discontinue, or change any features, sizes, or capacity on any model without prior notice.



Project Name: \_\_\_\_\_  
 Item #: \_\_\_\_\_ Quantity: \_\_\_\_\_

## DIAMOND 1-2-3 DELI/PASTRY

**DIAMOND 1 DELI/PASRTY MODELS:** DIAMOND 1 DP1110, DIAMOND 1 DP1610, DIAMOND 1 DP2106, DIAMOND 1 DPA30, DIAMOND 1 DPC30

**DIAMOND 2 DELI/PASTRY MODELS:** DIAMOND 2 DP1110, DIAMOND 2 DP1610, DIAMOND 2 DP2106, DIAMOND 2 DPA30, DIAMOND 2 DPC30

**DIAMOND 3 DELI/PASTRY MODELS:** DIAMOND 3 DP1110, DIAMOND 3 DP1610, DIAMOND 3 DP2106, DIAMOND 3 DPA30, DIAMOND 3 DPC30

DIAMOND 1 DELI/PASTRY						
TECHNICAL FEATURES		MODELS				
		DIAMOND 1 DP1110 (DMD1DP44)	DIAMOND 1 DP1610 (DMD1DP64)	DIAMOND 1 DP2106 (DMD1DP83)	DIAMOND 1 DPA30 (DMD1DPAP30)	DIAMOND 1 DPC30 (DMD1DPCH30)
External Dimensions (L-D-H) Inches-MM	Inches MM	*44 1/8" - 44 3/8" - 47 1/4" *1121 - 1127 - 1200	*63 13/16" - 44 3/8" - 47 1/4" *1621 - 1127 - 1200	*83 3/8" - 44 3/8" - 47 1/4" *2117 - 1127 - 1200	*63 1/4" - 44 3/8" - 47 1/4" *1607 - 1127 - 1200	*62 7/16" - 44 3/8" - 47 1/4" *1590 - 1127 - 1200
Crated Dimensions (L-D-H) Inches-MM	Inches MM	52" - 52" - 53" 1320 - 1320 - 1346	70" - 52" - 53" 1778 - 1320 - 1346	90" - 52" - 53" 2286 - 1320 - 1346	70" - 52" - 53" 1778 - 1320 - 1346	70" - 52" - 53" 1778 - 1320 - 1346
Refrigeration	Type	Fan Ventilated	Fan Ventilated	Fan Ventilated	Fan Ventilated	Fan Ventilated
Refrigeration Display Area	Type	Deck + Shelf	Deck + Shelf	Deck + Shelf	Deck Only	Deck Only
Operating Temperature	°F	39.2°F	39.2°F	39.2°F	39.2°F	39.2°F
Compressor	Nr./Type	1 / Hermetic	1 / Hermetic	1 / Hermetic	1 / Hermetic	1 / Hermetic
Electric Supply	(V/Ph/Hz)	120/1/60	120/1/60	120/1/60	120/1/60	120/1/60
BTU'S @ +10°F Evap Temperature	BTU'S	3000	4100	4800	4000	4000
Power Consumption	(W/A)	1350/12,9	1450/13,7	1550/14,8	1400/13,5	1400/13,5
Defrost	Mode/Type	Electric	Electric	Electric	Electric	Electric
Climatic Class	*F/H.R.	75°F-55%RH	75°F-55%RH	75°F-55%RH	75°F-55%RH	75°F-55%RH
Refrigerant Gas	Type	R404A / R452A	R404A / R452A	R404A / R452A	R404A / R452A	R404A / R452A
Pipe Size (Inches)	Suction, Liquid	1/2", 1/4"	5/8", 5/16"	5/8", 5/16"	5/8", 5/16"	5/8", 5/16"
Net Weights	Lb	440	640	720	600	600
Crated Weights	Lb	530	740	830	700	700

\*DIMENSIONS ARE WITH STANDARD POLISHED S/S SKIN SIDES

DIAMOND 2 DELI/PASTRY						
TECHNICAL FEATURES		MODELS				
		DIAMOND 2 DP1110 (DMD2DP44)	DIAMOND 2 DP1610 (DMD2DP64)	DIAMOND 2 DP2106 (DMD2DP83)	DIAMOND 2 DPA30 (DMD2DPAP30)	DIAMOND 2 DPC30 (DMD2DPCH30)
External Dimensions (L-D-H) Inches-MM	Inches MM	*44 1/8" - 44 3/8" - 53 1/8" *1121 - 1127 - 1350	*63 13/16" - 44 3/8" - 53 1/8" *1621 - 1127 - 1350	*83 3/8" - 44 3/8" - 53 1/8" *2117 - 1127 - 1350	*63 1/4" - 44 3/8" - 53 1/8" *1607 - 1127 - 1350	*62 7/16" - 44 3/8" - 53 1/8" *1590 - 1127 - 1350
Crated Dimensions (L-D-H) Inches-MM	Inches MM	52" - 52" - 61" 1320 - 1320 - 1549	70" - 52" - 61" 1778 - 1320 - 1549	90" - 52" - 61" 2286 - 1320 - 1549	70" - 52" - 61" 1778 - 1320 - 1549	70" - 52" - 61" 1778 - 1320 - 1549
Refrigeration	Type	Fan Ventilated	Fan Ventilated	Fan Ventilated	Fan Ventilated	Fan Ventilated
Refrigeration Display Area	Type	Deck + Lower Shelf	Deck + Lower Shelf	Deck + Lower Shelf	Deck + Lower Shelf	Deck + Lower Shelf
Operating Temperature	°F	39.2°F	39.2°F	39.2°F	39.2°F	39.2°F
Compressor	Nr./Type	1 / Hermetic	1 / Hermetic	1 / Hermetic	1 / Hermetic	1 / Hermetic
Electric Supply	(V/Ph/Hz)	120/1/60	120/1/60	120/1/60	120/1/60	120/1/60
BTU'S @ +10°F Evap Temperature	BTU'S	3000	4100	4800	4000	4000
Power Consumption	(W/A)	1350/12,9	1450/13,7	1550/14,8	1400/13,5	1400/13,5
Defrost	Mode/Type	Electric	Electric	Electric	Electric	Electric
Climatic Class	*F/H.R.	75°F-55%RH	75°F-55%RH	75°F-55%RH	75°F-55%RH	75°F-55%RH
Refrigerant Gas	Type	R404A / R452A	R404A / R452A	R404A / R452A	R404A / R452A	R404A / R452A
Pipe Size (Inches)	Suction, Liquid	1/2", 1/4"	5/8", 5/16"	5/8", 5/16"	5/8", 5/16"	5/8", 5/16"
Net Weights	Lb	450	650	730	610	610
Crated Weights	Lb	540	750	840	710	710

\*DIMENSIONS ARE WITH STANDARD POLISHED S/S SKIN SIDES

\*Oscartek reserves the right to change, modify, discontinue, or change any features, sizes, or capacity on any model without prior notice.

OSCARTEK®  
 512 South Airport Blvd., South San Francisco, CA 94080  
 Tel: 650.342.2400 | Fax: 650.342.7400  
 www.oscartek.com





Project Name: \_\_\_\_\_  
 Item #: \_\_\_\_\_ Quantity: \_\_\_\_\_

## DIAMOND 1-2-3 DELI/PASTRY

**DIAMOND 1 DELI/PASRTY MODELS:** DIAMOND 1 DP1110, DIAMOND 1 DP1610, DIAMOND 1 DP2106, DIAMOND 1 DPA30, DIAMOND 1 DPC30

**DIAMOND 2 DELI/PASTRY MODELS:** DIAMOND 2 DP1110, DIAMOND 2 DP1610, DIAMOND 2 DP2106, DIAMOND 2 DPA30, DIAMOND 2 DPC30

**DIAMOND 3 DELI/PASTRY MODELS:** DIAMOND 3 DP1110, DIAMOND 3 DP1610, DIAMOND 3 DP2106, DIAMOND 3 DPA30, DIAMOND 3 DPC30

DIAMOND 3 DELI/PASTRY						
TECHNICAL FEATURES		MODELS				
		DIAMOND 3 DP1110 (DMD3DP44)	DIAMOND 3 DP1610 (DMD3DP64)	DIAMOND 3 DP2106 (DMD3DP83)	DIAMOND 3 DPA30 (DMD3DPAP30)	DIAMOND 3 DPC30 (DMD3DPCH30)
External Dimensions (L-D-H) Inches-MM	Inches MM	*44 1/8" - 44 3/8" - 59 1/16" *1121 - 1127 - 1500	*63 13/16" - 44 3/8" - 59 1/16" *1621 - 1127 - 1500	*83 3/8" - 44 3/8" - 59 1/16" *2117 - 1127 - 1500	*63 1/4" - 44 3/8" - 59 1/16" *1607 - 1127 - 1500	*62 7/16" - 44 3/8" - 59 1/16" *1590 - 1127 - 1500
Crated Dimensions (L-D-H) Inches-MM	Inches MM	52" - 52" - 67" 1320 - 1320 - 1701	70" - 52" - 67" 1778 - 1320 - 1701	90" - 52" - 67" 2286 - 1320 - 1701	70" - 52" - 67" 1778 - 1320 - 1701	70" - 52" - 67" 1168 - 1320 - 1701
Refrigeration	Type	Fan Ventilated	Fan Ventilated	Fan Ventilated	Fan Ventilated	Fan Ventilated
Refrigeration Display Area	Type	Deck + Lower Shelf	Deck + Lower Shelf	Deck + Lower Shelf	Deck + Lower Shelf	Deck + Lower Shelf
Operating Temperature	°F	39.2°F	39.2°F	39.2°F	39.2°F	39.2°F
Compressor	Nr./Type	1 / Hermetic	1 / Hermetic	1 / Hermetic	1 / Hermetic	1 / Hermetic
Electric Supply	(V/Ph/Hz)	120/1/60	120/1/60	120/1/60	120/1/60	120/1/60
BTU'S @ +10°F Evap Temperature	BTU'S	3000	4100	4800	4000	4000
Power Consumption	(W/A)	1390/13,0	1550/14,8	1650/15,8	1550/14,8	1550/14,8
Defrost	Mode/Type	Electric	Electric	Electric	Electric	Electric
Climatic Class	°F/H.R.	75°F-55%RH	75°F-55%RH	75°F-55%RH	75°F-55%RH	75°F-55%RH
Refrigerant Gas	Type	R404A / R452A	R404A / R452A	R404A / R452A	R404A / R452A	R404A / R452A
Pipe Size (Inches)	Suction, Liquid	1/2", 1/4"	5/8", 5/16"	5/8", 5/16"	5/8", 5/16"	5/8", 5/16"
Net Weights	Lb	460	660	740	620	620
Crated Weights	Lb	550	760	850	720	720

\*DIMENSIONS ARE WITH STANDARD POLISHED S/S SKIN SIDES

\*Oscartek reserves the right to change, modify, discontinue, or change any features, sizes, or capacity on any model without prior notice.

OSCARTEK®  
 512 South Airport Blvd., South San Francisco, CA 94080  
 Tel: 650.342.2400 | Fax: 650.342.7400  
 www.oscartek.com

