



Diamond 1 Hot CS-Dry Hot Plate with optional stainless steel front finish



Visit our website for more finishing options and RAL colors

www.oscartek.com

DIAMOND 1-2-3

Hot Showcase

DIAMOND 1 CS-DRY MODELS: DIAMOND 1 CS1110, DIAMOND 1 CS1610, DIAMOND 1 CS2106

DIAMOND 1 CBM-BAIN MARIE MODELS: DIAMOND 1 CBM1110, DIAMOND 1 CBM1610, DIAMOND 1 CBM2106

DIAMOND 2 CS-DRY MODELS: DIAMOND 2 CS1110, DIAMOND 2 CS1610, DIAMOND 2 CS2106

DIAMOND 2 CBM-BAIN MARIE MODELS: DIAMOND 2 CBM1110, DIAMOND 2 CBM1610, DIAMOND 2 CBM2106

DIAMOND 3 CS-DRY MODELS: DIAMOND 3 CS1110, DIAMOND 3 CS1610, DIAMOND 3 CS2106

DIAMOND 3 CBM-BAIN MARIE MODELS: DIAMOND 3 CBM1110, DIAMOND 3 CBM1610, DIAMOND 3 CBM2106

STANDARD FEATURES

- Available in 3 heights: 47”H, 53”H, and 59”H
- Chrome finishing
- Heat lamp
- Front glass with safety tilt down opening system
- CS: Dry warm top on stainless steel basin
- CBM: Hot well food warmer
- Pyrolytic anti-fog front and side glass
- Cases ship standard unfinished

OPTIONS

- Work top (brushed s/s, corian, granite)
- Epoxy RAL color interior and exterior over stainless steel
- RAL color/custom plastic wood laminate front and side
- Unfinished panels to accept millwork by others
- Casters

*Oscartek reserves the right to change, modify, discontinue, or change any features, sizes, or capacity on any model without prior notice.

DIAMOND 1-2-3 HOT

DIAMOND 1 CS-DRY MODELS: DIAMOND 1 CS1110, DIAMOND 1 CS1610, DIAMOND 1 CS2106

DIAMOND 1 CBM-BAIN MARIE MODELS: DIAMOND 1 CBM1110, DIAMOND 1 CBM1610, DIAMOND 1 CBM2106

DIAMOND 2 CS-DRY MODELS: DIAMOND 2 CS1110, DIAMOND 2 CS1610, DIAMOND 2 CS2106

DIAMOND 2 CBM-BAIN MARIE MODELS: DIAMOND 2 CBM1110, DIAMOND 2 CBM1610, DIAMOND 2 CBM2106

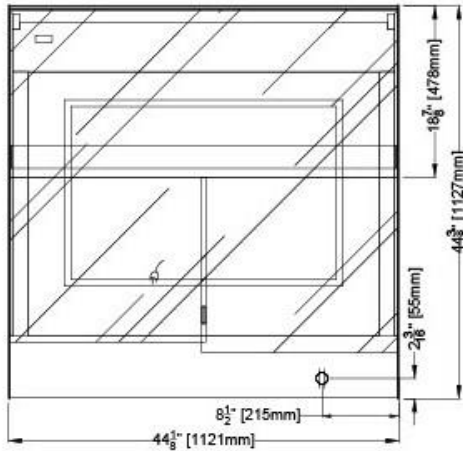
DIAMOND 3 CS-DRY MODELS: DIAMOND 3 CS1110, DIAMOND 3 CS1610, DIAMOND 3 CS2106

DIAMOND 3 CBM-BAIN MARIE MODELS: DIAMOND 3 CBM1110, DIAMOND 3 CBM1610, DIAMOND 3 CBM2106

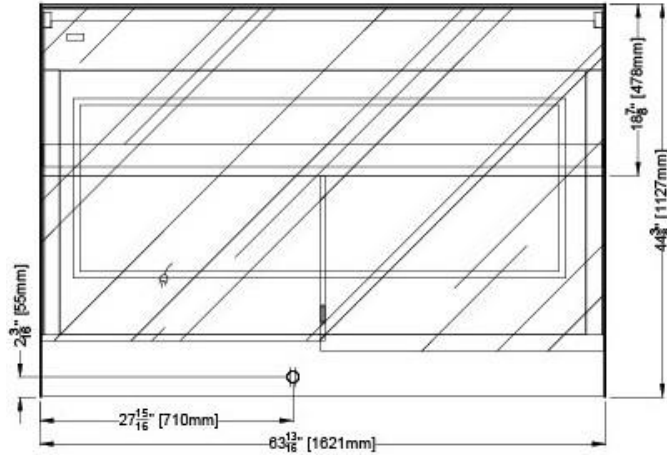
STANDARD: DIAMOND 1-2-3 HOT CS-DRY

PLAN VIEWS

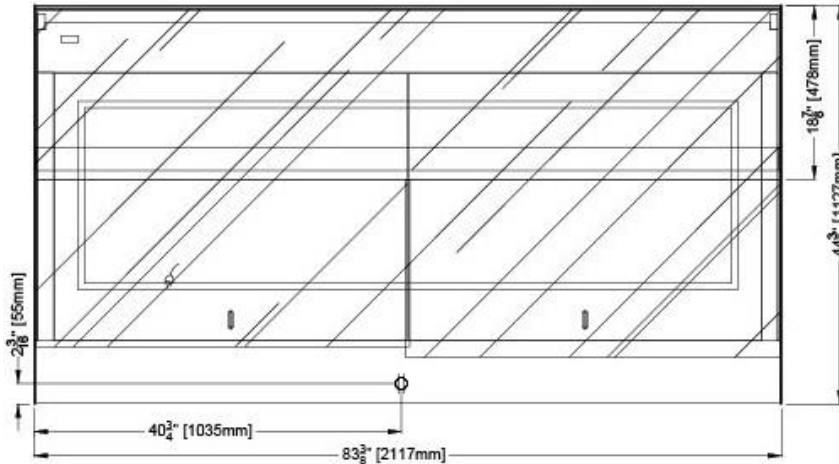
DIAMOND 1-2-3 CS1110



DIAMOND 1-2-3 CS1610



DIAMOND 1-2-3 CS2106



ELECTRICAL LEGEND

 POWER

*Oscartek reserves the right to change, modify, discontinue, or change any features, sizes, or capacity on any model without prior notice.

DIAMOND 1-2-3 HOT

DIAMOND 1 CS-DRY MODELS: DIAMOND 1 CS1110, DIAMOND 1 CS1610, DIAMOND 1 CS2106

DIAMOND 1 CBM-BAIN MARIE MODELS: DIAMOND 1 CBM1110, DIAMOND 1 CBM1610, DIAMOND 1 CBM2106

DIAMOND 2 CS-DRY MODELS: DIAMOND 2 CS1110, DIAMOND 2 CS1610, DIAMOND 2 CS2106

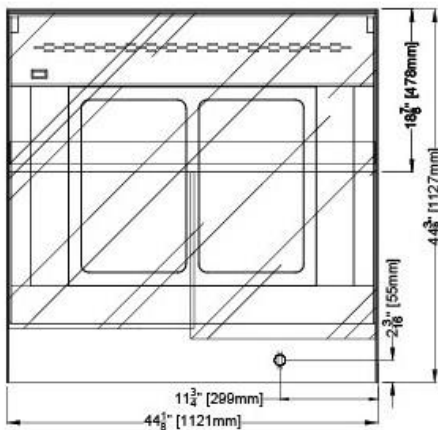
DIAMOND 2 CBM-BAIN MARIE MODELS: DIAMOND 2 CBM1110, DIAMOND 2 CBM1610, DIAMOND 2 CBM2106

DIAMOND 3 CS-DRY MODELS: DIAMOND 3 CS1110, DIAMOND 3 CS1610, DIAMOND 3 CS2106

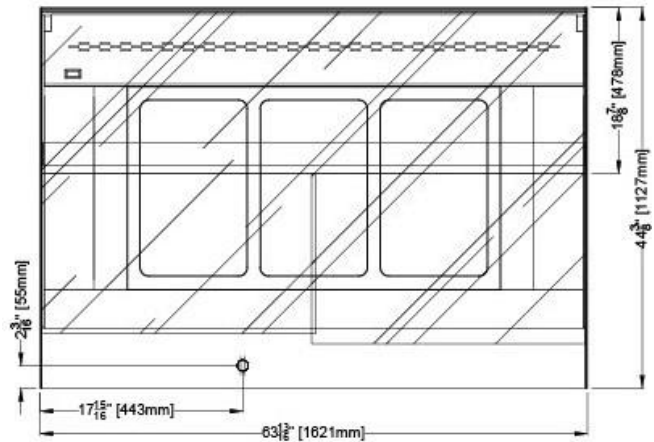
DIAMOND 3 CBM-BAIN MARIE MODELS: DIAMOND 3 CBM1110, DIAMOND 3 CBM1610, DIAMOND 3 CBM2106

STANDARD: DIAMOND 1-2-3 HOT CBM-BAIN MARIE PLAN VIEWS

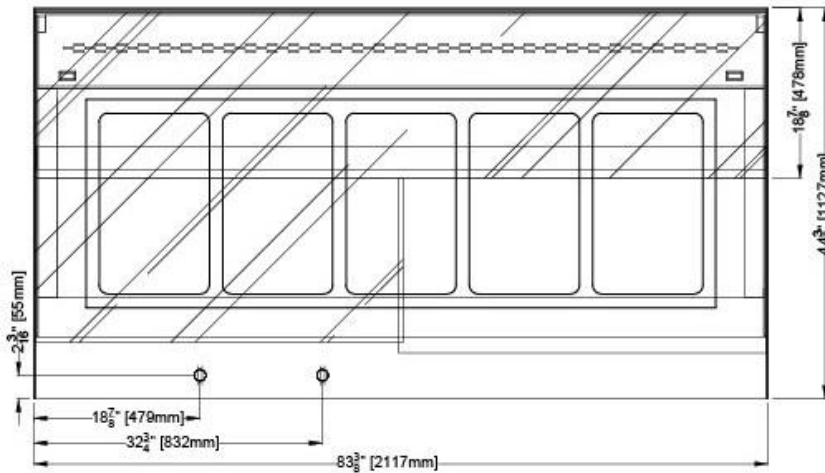
DIAMOND 1-2-3 CBM1110



DIAMOND 1-2-3 CBM1610



DIAMOND 1-2-3 CS2106



ELECTRICAL LEGEND

ϕ POWER

*Oscartek reserves the right to change, modify, discontinue, or change any features, sizes, or capacity on any model without prior notice.

DIAMOND 1-2-3 HOT

DIAMOND 1 CS-DRY MODELS: DIAMOND 1 CS1110, DIAMOND 1 CS1610, DIAMOND 1 CS2106

DIAMOND 1 CBM-BAIN MARIE MODELS: DIAMOND 1 CBM1110, DIAMOND 1 CBM1610, DIAMOND 1 CBM2106

DIAMOND 2 CS-DRY MODELS: DIAMOND 2 CS1110, DIAMOND 2 CS1610, DIAMOND 2 CS2106

DIAMOND 2 CBM-BAIN MARIE MODELS: DIAMOND 2 CBM1110, DIAMOND 2 CBM1610, DIAMOND 2 CBM2106

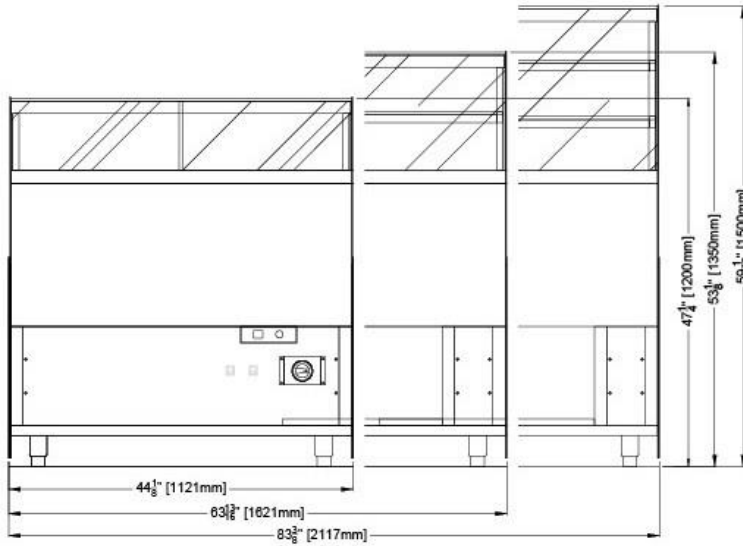
DIAMOND 3 CS-DRY MODELS: DIAMOND 3 CS1110, DIAMOND 3 CS1610, DIAMOND 3 CS2106

DIAMOND 3 CBM-BAIN MARIE MODELS: DIAMOND 3 CBM1110, DIAMOND 3 CBM1610, DIAMOND 3 CBM2106

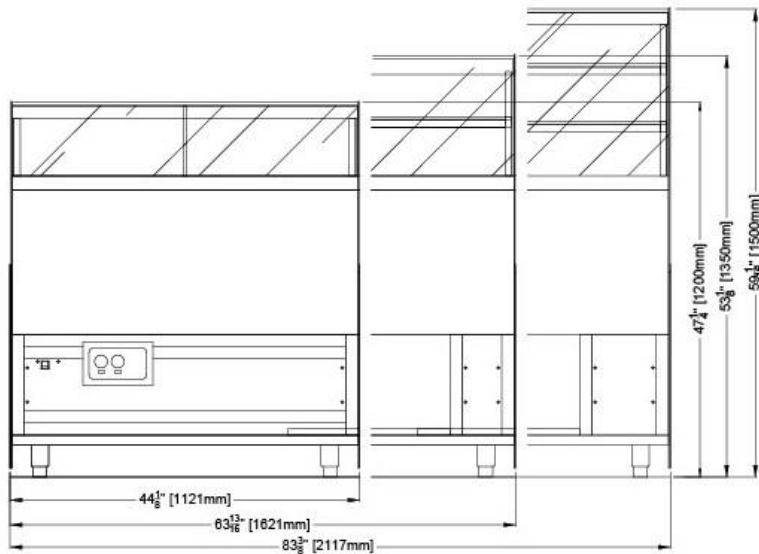
STANDARD: DIAMOND 1-2-3 HOT CS-DRY

REAR ELEVATIONS (OPERATOR SIDE)

DIAMOND 1-2-3 CS1110, CS1610, CS2106



DIAMOND 1-2-3 CBM1110, CBM1610, CBM2106



*Oscartek reserves the right to change, modify, discontinue, or change any features, sizes, or capacity on any model without prior notice.

DIAMOND 1-2-3 HOT

DIAMOND 1 CS-DRY MODELS: DIAMOND 1 CS1110, DIAMOND 1 CS1610, DIAMOND 1 CS2106

DIAMOND 1 CBM-BAIN MARIE MODELS: DIAMOND 1 CBM1110, DIAMOND 1 CBM1610, DIAMOND 1 CBM2106

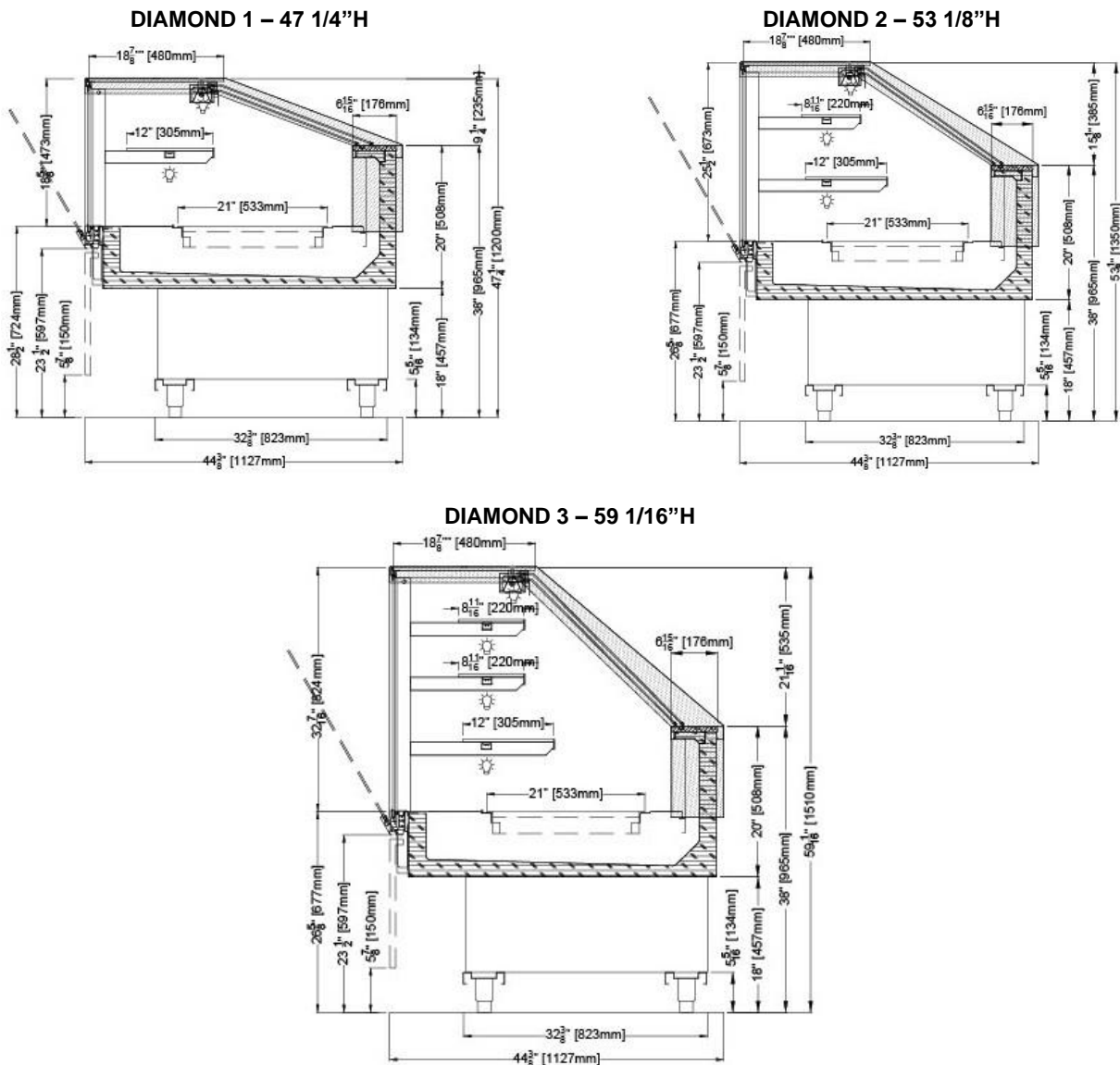
DIAMOND 2 CS-DRY MODELS: DIAMOND 2 CS1110, DIAMOND 2 CS1610, DIAMOND 2 CS2106

DIAMOND 2 CBM-BAIN MARIE MODELS: DIAMOND 2 CBM1110, DIAMOND 2 CBM1610, DIAMOND 2 CBM2106

DIAMOND 3 CS-DRY MODELS: DIAMOND 3 CS1110, DIAMOND 3 CS1610, DIAMOND 3 CS2106

DIAMOND 3 CBM-BAIN MARIE MODELS: DIAMOND 3 CBM1110, DIAMOND 3 CBM1610, DIAMOND 3 CBM2106

STANDARD: DIAMOND 1-2-3 HOT CS-DRY SECTION VIEWS



*Oscartek reserves the right to change, modify, discontinue, or change any features, sizes, or capacity on any model without prior notice.

DIAMOND 1-2-3 HOT

DIAMOND 1 CS-DRY MODELS: DIAMOND 1 CS1110, DIAMOND 1 CS1610, DIAMOND 1 CS2106

DIAMOND 1 CBM-BAIN MARIE MODELS: DIAMOND 1 CBM1110, DIAMOND 1 CBM1610, DIAMOND 1 CBM2106

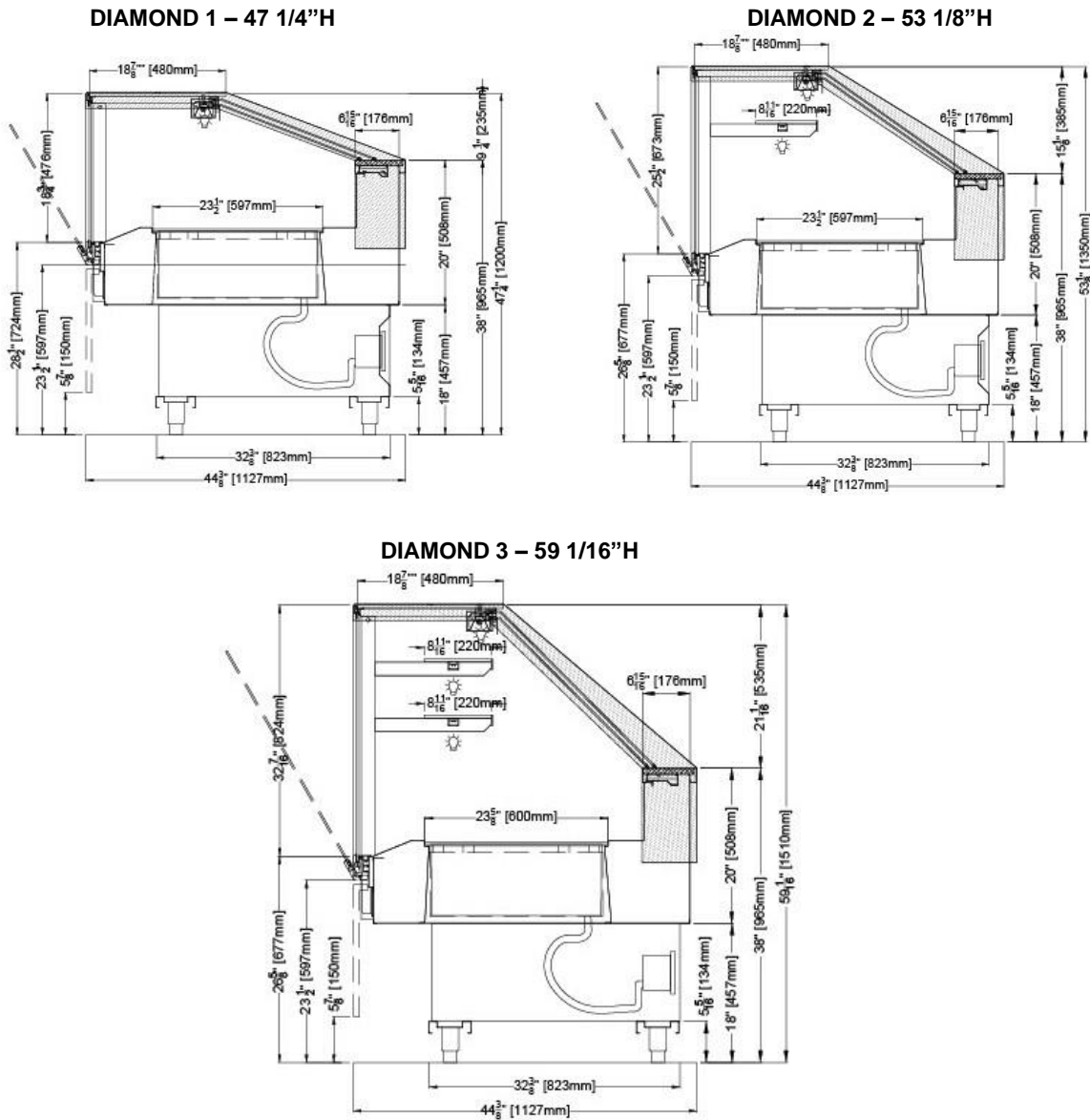
DIAMOND 2 CS-DRY MODELS: DIAMOND 2 CS1110, DIAMOND 2 CS1610, DIAMOND 2 CS2106

DIAMOND 2 CBM-BAIN MARIE MODELS: DIAMOND 2 CBM1110, DIAMOND 2 CBM1610, DIAMOND 2 CBM2106

DIAMOND 3 CS-DRY MODELS: DIAMOND 3 CS1110, DIAMOND 3 CS1610, DIAMOND 3 CS2106

DIAMOND 3 CBM-BAIN MARIE MODELS: DIAMOND 3 CBM1110, DIAMOND 3 CBM1610, DIAMOND 3 CBM2106

STANDARD: DIAMOND 1-2-3 HOT CBM-BAIN MARIE SECTION VIEWS



*Oscartek reserves the right to change, modify, discontinue, or change any features, sizes, or capacity on any model without prior notice.



Discover the Art of Display...

Project Name: _____

Item #: _____ Quantity: _____

DIAMOND 1-2-3 HOT

DIAMOND 1 CS-DRY MODELS: DIAMOND 1 CS1110, DIAMOND 1 CS1610, DIAMOND 1 CS2106

DIAMOND 1 CBM-BAIN MARIE MODELS: DIAMOND 1 CBM1110, DIAMOND 1 CBM1610, DIAMOND 1 CBM2106

DIAMOND 2 CS-DRY MODELS: DIAMOND 2 CS1110, DIAMOND 2 CS1610, DIAMOND 2 CS2106

DIAMOND 2 CBM-BAIN MARIE MODELS: DIAMOND 2 CBM1110, DIAMOND 2 CBM1610, DIAMOND 2 CBM2106

DIAMOND 3 CS-DRY MODELS: DIAMOND 3 CS1110, DIAMOND 3 CS1610, DIAMOND 3 CS2106

DIAMOND 3 CBM-BAIN MARIE MODELS: DIAMOND 3 CBM1110, DIAMOND 3 CBM1610, DIAMOND 3 CBM2106

DIAMOND 1 HOT (CS - DRY)				
TECHNICAL FEATURES		MODELS		
		DIAMOND 1 CS1110 (DMD1CS44)	DIAMOND 1 CS1610 (DMD1CS64)	DIAMOND 1 CS2106 (DMD1CS83)
External Dimensions (L-D-H) Inches-MM	Inches MM	*44 1/8" - 44 3/8" - 47 1/4" *1121 - 1127 - 1200	*63 13/16" - 44 3/8" - 47 1/4" *1621 - 1127 - 1200	*83 3/8" - 44 3/8" - 47 1/4" *2117 - 1127 - 1200
Crated Dimensions (L-D-H) Inches-MM	Inches MM	52" - 52" - 53" 1320 - 1320 - 1346	70" - 52" - 53" 1778 - 1320 - 1346	90" - 52" - 53" 2286 - 1320 - 1346
Power Supply**	(V/Ph/Hz)	208-220/1/60	208-220/1/60	208-220/1/60 (2)
Operating Temperature	°F	176	176	176
Power Amps Direct Connection**	HEAT LAMP (W/A)	400/2,0	600/3,0	2 x 400/2,0
	HOT PLATE (W/A)	750/3,6	1000/4,9	2 x 750/3,6
Net Weights	Lb	460	680	750
Crated Weights	Lb	550	780	860
*DIMENSIONS ARE WITH STANDARD POLISHED S/S SKIN SIDES			**REQUIRES 2 INDEPENDENT POWER SUPPLY	

DIAMOND 1 HOT (CBM-BAIN MARIE)				
TECHNICAL FEATURES		MODELS		
		DIAMOND 1 CBM1110 (DMD1CBM44)	DIAMOND 1 CBM1610 (DMD1CBM64)	DIAMOND 1 CBM2106 (DMD1CBM83)
External Dimensions (L-D-H) Inches-MM	Inches MM	*44 1/8" - 44 3/8" - 47 1/4" *1121 - 1127 - 1200	*63 13/16" - 44 3/8" - 47 1/4" *1621 - 1127 - 1200	*83 3/8" - 44 3/8" - 47 1/4" *2117 - 1127 - 1200
Crated Dimensions (L-D-H) Inches-MM	Inches MM	52" - 52" - 53" 1320 - 1320 - 1346	70" - 52" - 53" 1778 - 1320 - 1346	90" - 52" - 53" 2286 - 1320 - 1346
Power Supply**	(V/Ph/Hz)	208-220/1/60	208-220/1/60	208-220/1/60 (2)
Operating Temperature	°F	176	176	176
Power Amps Direct Connection**	HEAT LAMP (W/A)	400/2,0	600/3,0	2 x 400/2,0
	BAIN MARIE (W/A)	1500/7,2	2000/9,6	2 x 1500/7,2
Net Weights	Lb	460	680	750
Crated Weights	Lb	550	780	860
*DIMENSIONS ARE WITH STANDARD POLISHED S/S SKIN SIDES			**REQUIRES 2 INDEPENDENT POWER SUPPLY	
NOTE: CBM-BAIN MARIE: DRAIN SIZE FOR INDIVIDUAL WELL 3/4"				

*Oscartek reserves the right to change, modify, discontinue, or change any features, sizes, or capacity on any model without prior notice.

OSCARTEK®
512 South Airport Blvd., South San Francisco, CA 94080
Tel: 650.342.2400 | Fax: 650.342.7400
www.oscartek.com





Discover the Art of Display...

Project Name: _____

Item #: _____ Quantity: _____

DIAMOND 1-2-3 HOT

DIAMOND 1 CS-DRY MODELS: DIAMOND 1 CS1110, DIAMOND 1 CS1610, DIAMOND 1 CS2106

DIAMOND 1 CBM-BAIN MARIE MODELS: DIAMOND 1 CBM1110, DIAMOND 1 CBM1610, DIAMOND 1 CBM2106

DIAMOND 2 CS-DRY MODELS: DIAMOND 2 CS1110, DIAMOND 2 CS1610, DIAMOND 2 CS2106

DIAMOND 2 CBM-BAIN MARIE MODELS: DIAMOND 2 CBM1110, DIAMOND 2 CBM1610, DIAMOND 2 CBM2106

DIAMOND 3 CS-DRY MODELS: DIAMOND 3 CS1110, DIAMOND 3 CS1610, DIAMOND 3 CS2106

DIAMOND 3 CBM-BAIN MARIE MODELS: DIAMOND 3 CBM1110, DIAMOND 3 CBM1610, DIAMOND 3 CBM2106

DIAMOND 2 HOT (CS - DRY)				
TECHNICAL FEATURES		MODELS		
		DIAMOND 2 CS1110 (DMD2CS44)	DIAMOND 2 CS1610 (DMD2CS64)	DIAMOND 2 CS2106 (DMD2CS83)
External Dimensions (L-D-H) Inches-MM	Inches MM	*44 1/8" - 44 3/8" - 53 1/8" *1121 - 1127 - 1350	*63 13/16" - 44 3/8" - 53 1/8" *1621 - 1127 - 1350	*83 3/8" - 44 3/8" - 53 1/8" *2117 - 1127 - 1350
Crated Dimensions (L-D-H) Inches-MM	Inches MM	52" - 52" - 61" 1320 - 1320 - 1549	70" - 52" - 61" 1778 - 1320 - 1549	90" - 52" - 61" 2286 - 1320 - 1549
Power Supply**	(V/Ph/Hz)	208-220/1/60	208-220/1/60	208-220/1/60 (2)
Operating Temperature	°F	176	176	176
Power Amps Direct Connection**	HEAT LAMP (W/A)	800/4,0	1200/6,0	2 x 800/4,0
	HOT PLATE (W/A)	750/3,6	1000/4,9	2 x 750/3,6
Net Weights	Lb	500	740	850
Crated Weights	Lb	590	830	960
*DIMENSIONS ARE WITH STANDARD POLISHED S/S SKIN SIDES			**REQUIRES 2 INDEPENDENT POWER SUPPLY	

DIAMOND 2 HOT (CBM-BAIN MARIE)				
TECHNICAL FEATURES		MODELS		
		DIAMOND 2 CBM1110 (DMD2CBM44)	DIAMOND 2 CBM1610 (DMD2CBM64)	DIAMOND 2 CBM2106 (DMD2CBM83)
External Dimensions (L-D-H) Inches-MM	Inches MM	*44 1/8" - 44 3/8" - 53 1/8" *1121 - 1127 - 1350	*63 13/16" - 44 3/8" - 53 1/8" *1621 - 1127 - 1350	*83 3/8" - 44 3/8" - 53 1/8" *2117 - 1127 - 1350
Crated Dimensions (L-D-H) Inches-MM	Inches MM	52" - 52" - 61" 1320 - 1320 - 1549	70" - 52" - 61" 1778 - 1320 - 1549	90" - 52" - 61" 2286 - 1320 - 1549
Power Supply**	(V/Ph/Hz)	208-220/1/60	208-220/1/60	208-220/1/60 (2)
Operating Temperature	°F	176	176	176
Power Amps Direct Connection**	HEAT LAMP (W/A)	400/2,0	600/3,0	2 x 400/2,0
	BAIN MARIE (W/A)	1500/7,2	2000/9,6	2 x 1500/7,2
Net Weights	Lb	460	680	750
Crated Weights	Lb	550	780	860
*DIMENSIONS ARE WITH STANDARD POLISHED S/S SKIN SIDES			**REQUIRES 2 INDEPENDENT POWER SUPPLY	
NOTE: CBM-BAIN MARIE: DRAIN SIZE FOR INDIVIDUAL WELL 3/4"				

*Oscartek reserves the right to change, modify, discontinue, or change any features, sizes, or capacity on any model without prior notice.

OSCARTEK®
512 South Airport Blvd., South San Francisco, CA 94080
Tel: 650.342.2400 | Fax: 650.342.7400
www.oscartek.com





Project Name: _____
 Item #: _____ Quantity: _____

DIAMOND 1-2-3 HOT

- DIAMOND 1 CS-DRY MODELS:** DIAMOND 1 CS1110, DIAMOND 1 CS1610, DIAMOND 1 CS2106
DIAMOND 1 CBM-BAIN MARIE MODELS: DIAMOND 1 CBM1110, DIAMOND 1 CBM1610, DIAMOND 1 CBM2106
DIAMOND 2 CS-DRY MODELS: DIAMOND 2 CS1110, DIAMOND 2 CS1610, DIAMOND 2 CS2106
DIAMOND 2 CBM-BAIN MARIE MODELS: DIAMOND 2 CBM1110, DIAMOND 2 CBM1610, DIAMOND 2 CBM2106
DIAMOND 3 CS-DRY MODELS: DIAMOND 3 CS1110, DIAMOND 3 CS1610, DIAMOND 3 CS2106
DIAMOND 3 CBM-BAIN MARIE MODELS: DIAMOND 3 CBM1110, DIAMOND 3 CBM1610, DIAMOND 3 CBM2106

DIAMOND 3 HOT (CS - DRY)				
TECHNICAL FEATURES		MODELS		
		DIAMOND 3 CS1110 (DMD3CS44)	DIAMOND 3 CS1610 (DMD3CS64)	DIAMOND 3 CS2106 (DMD3CS83)
External Dimensions (L-D-H) Inches-MM	Inches MM	*44 1/8" - 44 3/8" - 59 1/16" *1121 - 1127 - 1500	*63 13/16" - 44 3/8" - 59 1/16" *1621 - 1127 - 1500	*83 3/8" - 44 3/8" - 59 1/16" *2117 - 1127 - 1500
Crated Dimensions (L-D-H) Inches-MM	Inches MM	52" - 52" - 67" 1320 - 1320 - 1701	70" - 52" - 67" 1778 - 1320 - 1701	90" - 52" - 67" 2286 - 1320 - 1701
Power Supply**	(V/Ph/Hz)	208-220/1/60	208-220/1/60	208-220/1/60 (2)
Operating Temperature	°F	176	176	176
Power Amps Direct Connection**	HEAT LAMP (W/A)	800/4,0	1200/6,0	2 x 800/4,0
	HOT PLATE (W/A)	750/3,6	1000/4,9	2 x 750/3,6
Net Weights	Lb	500	740	850
Crated Weights	Lb	590	830	960
		*DIMENSIONS ARE WITH STANDARD POLISHED S/S SKIN SIDES		**REQUIRES 2 INDEPENDENT POWER SUPPLY

DIAMOND 3 HOT (CBM-BAIN MARIE)				
TECHNICAL FEATURES		MODELS		
		DIAMOND 3 CBM1110 (DMD3CBM44)	DIAMOND 3 CBM1610 (DMD3CBM64)	DIAMOND 3 CBM2106 (DMD3CBM83)
External Dimensions (L-D-H) Inches-MM	Inches MM	*44 1/8" - 44 3/8" - 59 1/16" *1121 - 1127 - 1500	*63 13/16" - 44 3/8" - 59 1/16" *1621 - 1127 - 1500	*83 3/8" - 44 3/8" - 59 1/16" *2117 - 1127 - 1500
Crated Dimensions (L-D-H) Inches-MM	Inches MM	52" - 52" - 67" 1320 - 1320 - 1701	70" - 52" - 67" 1778 - 1320 - 1701	90" - 52" - 67" 2286 - 1320 - 1701
Power Supply**	(V/Ph/Hz)	208-220/1/60 (2)	208-220/1/60 (2)	208-220/1/60 (2)
Operating Temperature	°F	176	176	176
Power Amps Direct Connection**	HEAT LAMP (W/A)	400/2,0	600/3,0	2 x 400/2,0
	BAIN MARIE (W/A)	1500/7,2	2000/9,6	2 x 1500/7,2
Net Weights	Lb	460	680	750
Crated Weights	Lb	550	780	860
		*DIMENSIONS ARE WITH STANDARD POLISHED S/S SKIN SIDES		**REQUIRES 2 INDEPENDENT POWER SUPPLY
		NOTE: CBM-BAIN MARIE: DRAIN SIZE FOR INDIVIDUAL WELL 3/4"		

*Oscartek reserves the right to change, modify, discontinue, or change any features, sizes, or capacity on any model without prior notice.

OSCARTEK®
 512 South Airport Blvd., South San Francisco, CA 94080
 Tel: 650.342.2400 | Fax: 650.342.7400
 www.oscartek.com

