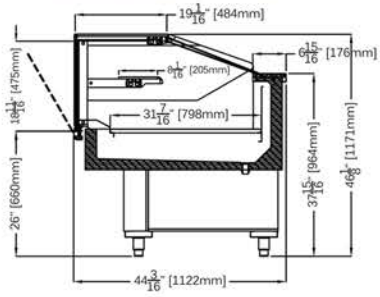


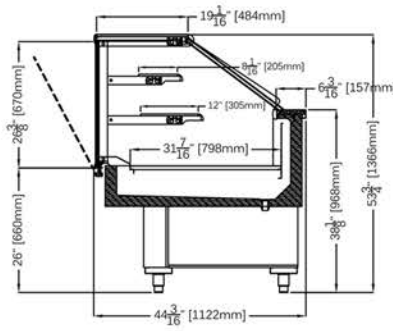
DIAMOND

Neutral Showcase

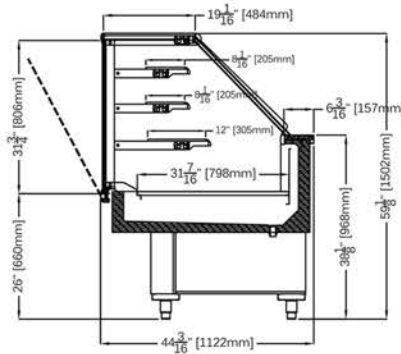
DIAMOND 1 - 46 1/8"H



DIAMOND 2 - 53 3/4"H



DIAMOND 3 - 59 1/8"H



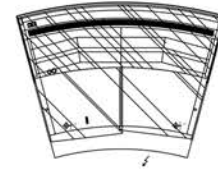
STANDARD FEATURES

- Available heights 46"H, 54"H, and 59"H
- Chrome finishing
- LED lighting on each shelf
- Front glass with safety tilt down opening system
- Pyrolytic anti-fog front and side glass
- Dry case
- Cases ship standard unfinished

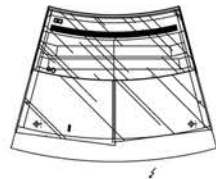
OPTIONS

- RAL color/laminate front and side panels
- Casters

30° Open



30° Closed



DIAMOND NEUTRAL						
TECHNICAL FEATURES		MODELS				
		DIAMOND 2 N1110	DIAMOND 2 N1610	DIAMOND 2 N2106	DIAMOND 2 NA30	DIAMOND 2 NC30
External dimensions (L-D-H)	Inches	* 44" - 44 3/16" - 53 3/4"	* 63 11/16" - 44 3/16" - 53 3/4"	* 83 1/4" - 44 3/16" - 53 3/4"	* 63" - 44 3/16" - 53 3/4"	* 39 1/2" - 44 3/16" - 53 3/4"
	Inches-MM	1118 - 1122 - 1366	1618 - 1122 - 1366	2114 - 1122 - 1366	1601 - 1122 - 1366	1003 - 1122 - 1366
Crated dimensions (L-D-H)	Inches	52" - 52" - 61"	70" - 52" - 61"	90" - 52" - 61"	70" - 52" - 61"	46" - 52" - 61"
	Inches-MM	1320 - 1320 - 1549	1778 - 1320 - 1549	2286 - 1320 - 1549	1778 - 1320 - 1549	1168 - 1320 - 1549
Power Supply	(V)	120V	120V	120V	120V	120V
Amperage	(A)	2A	3A	4A	2A	2A
Operating Temperature	°C / °F	Ambient	Ambient	Ambient	Ambient	Ambient
Net Weights	Kg/Lb	94Kgs / 216Lbs	118Kgs / 271Lbs	130Kgs / 299Lbs	118Kgs / 271Lbs	118Kgs / 271Lbs
Crated Weights	Kg/Lb	110Kgs / 253Lbs	138Kgs / 318Lbs	155Kgs / 356Lbs	138Kgs / 318Lbs	138Kgs / 318Lbs

* Dimensions are without side panels & with Diamond 2 technical features

* Manufacturer reserves the right to change specifications without notice. Not responsible for error and omissions.



361-367 Beach Road, Burlingame, CA 94010
 Tel: 855.885.2400 | 650.342.2400 | Fax: 650.342.7400
 sales@oscartek.com | www.oscartek.com

