



Project Name: \_\_\_\_\_  
Item #: \_\_\_\_\_ Quantity: \_\_\_\_\_



Diamond Pro 2 optional white interior finish and stone finish front



Visit our website for more finishing options and RAL colors  
[www.oscartek.com](http://www.oscartek.com)

# DIAMOND PRO 1-2-3

## Deli/Pastry (Fully Refrigerated) Showcase

**DIAMOND PRO 1 DELI/PASTRY:** DIAMOND PRO 1 DP1150, DIAMOND PRO 1 DP1650, DIAMOND PRO 1 DP2150

**DIAMOND PRO 2 DELI/PASTRY:** DIAMOND PRO 2 DP1150, DIAMOND PRO 2 DP1650, DIAMOND PRO 2 DP2150

**DIAMOND PRO 3 DELI/PASTRY:** DIAMOND PRO 3 DP1150, DIAMOND PRO 3 DP1650, DIAMOND PRO 3 DP2150

### STANDARD FEATURES

- Available in 3 heights: 47”H, 53”H, and 59”H
- Fully refrigerated
- Chrome finishing
- Diffused LED lighting 3000°K
- Electric control board
- Electric defrost
- Double pane lift-up front glass
- Pyrolytic anti-fog front and side glass
- Cases ship standard unfinished front and stainless steel skin sides

### OPTIONS

- Remote condensing unit
- Work top (brushed s/s, corian, granite)
- Stainless steel step shelf
- Epoxy RAL color interior and exterior over stainless steel
- RAL color/custom plastic wood laminate exterior front and sides
- Unfinished panels to accept millwork by others
- Condensate heated pan
- Casters

*\*Oscartek reserves the right to change, modify, discontinue, or change any features, sizes, or capacity on any model without prior notice.*

OSCARTEK®  
512 South Airport Blvd., South San Francisco, CA 94080  
Tel: 650.342.2400 | Fax: 650.342.7400  
[www.oscartek.com](http://www.oscartek.com)



## DIAMOND PRO 1-2-3 DELI/PASTRY

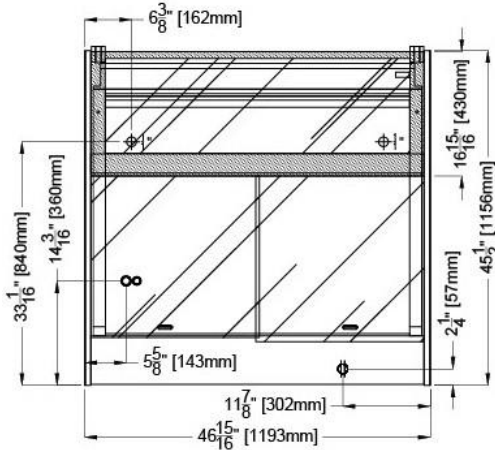
DIAMOND PRO 1 DELI/PASTRY: DIAMOND PRO 1 DP1150, DIAMOND PRO 1 DP1650, DIAMOND PRO 1 DP2150

DIAMOND PRO 2 DELI/PASTRY: DIAMOND PRO 2 DP1150, DIAMOND PRO 2 DP1650, DIAMOND PRO 2 DP2150

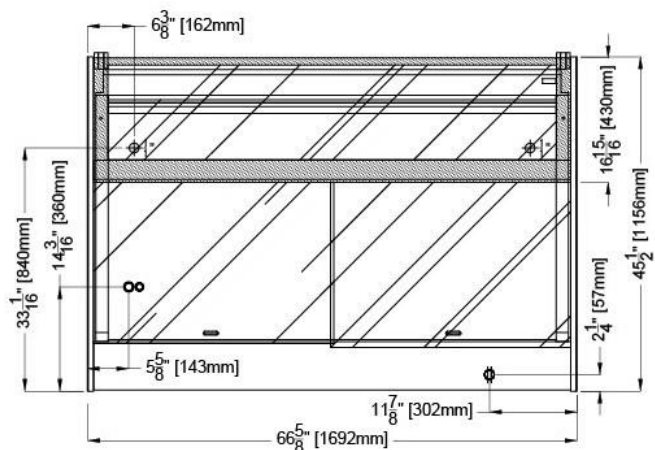
DIAMOND PRO 3 DELI/PASTRY: DIAMOND PRO 3 DP1150, DIAMOND PRO 3 DP1650, DIAMOND PRO 3 DP2150

### STANDARD: DIAMOND PRO 1-2-3 DELI/PASTRY PLAN VIEWS

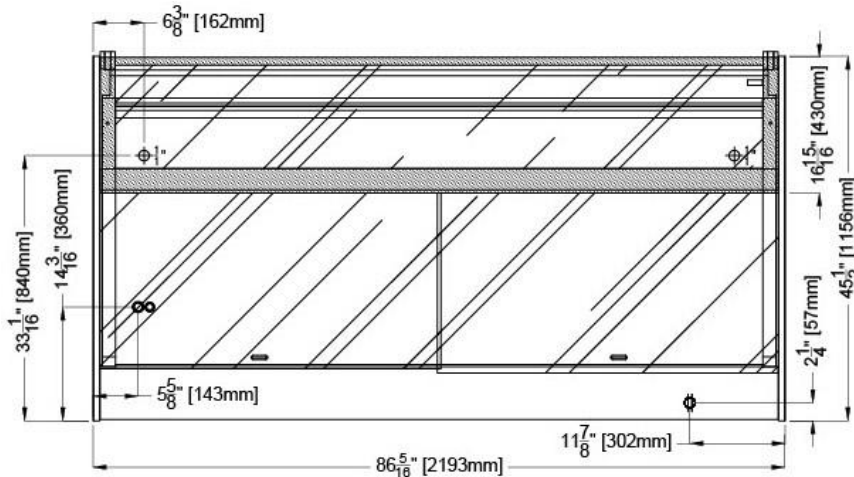
DIAMOND PRO 1-2-3 DP1150



DIAMOND PRO 1-2-3 DP1650



DIAMOND PRO 1-2-3 DP2150



ELECTRICAL LEGEND

∞	REFRIGERATION LINES
⊕ 1"	DRAIN
⊕	POWER

\*Oscartek reserves the right to change, modify, discontinue, or change any features, sizes, or capacity on any model without prior notice.

### DIAMOND PRO 1-2-3 DELI/PASTRY

DIAMOND PRO 1 DELI/PASTRY: DIAMOND PRO 1 DP1150, DIAMOND PRO 1 DP1650, DIAMOND PRO 1 DP2150

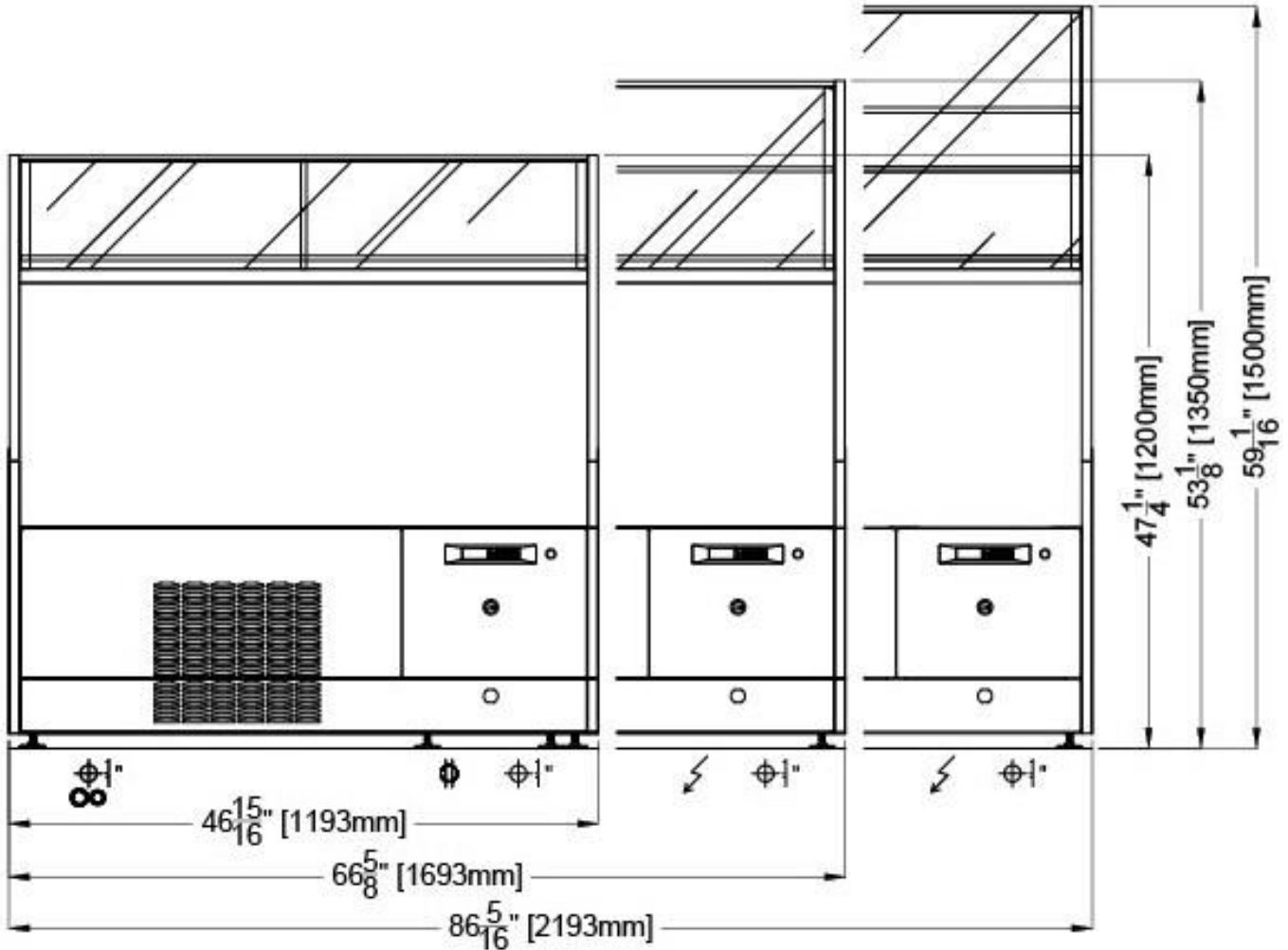
DIAMOND PRO 2 DELI/PASTRY: DIAMOND PRO 2 DP1150, DIAMOND PRO 2 DP1650, DIAMOND PRO 2 DP2150

DIAMOND PRO 3 DELI/PASTRY: DIAMOND PRO 3 DP1150, DIAMOND PRO 3 DP1650, DIAMOND PRO 3 DP2150

#### STANDARD: DIAMOND PRO 1-2-3 DELI/PASTRY

#### REAR ELEVATIONS (OPERATOR SIDE)

DIAMOND PRO 1-2-3 DP1150, DP1650, DP2150



\*Oscartek reserves the right to change, modify, discontinue, or change any features, sizes, or capacity on any model without prior notice.

## DIAMOND PRO 1-2-3 DELI/PASTRY

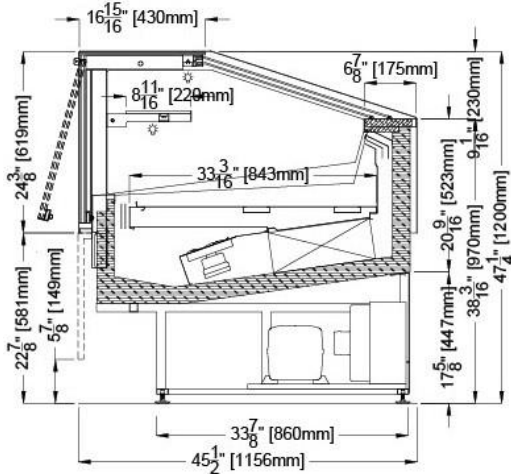
DIAMOND PRO 1 DELI/PASTRY: DIAMOND PRO 1 DP1150, DIAMOND PRO 1 DP1650, DIAMOND PRO 1 DP2150

DIAMOND PRO 2 DELI/PASTRY: DIAMOND PRO 2 DP1150, DIAMOND PRO 2 DP1650, DIAMOND PRO 2 DP2150

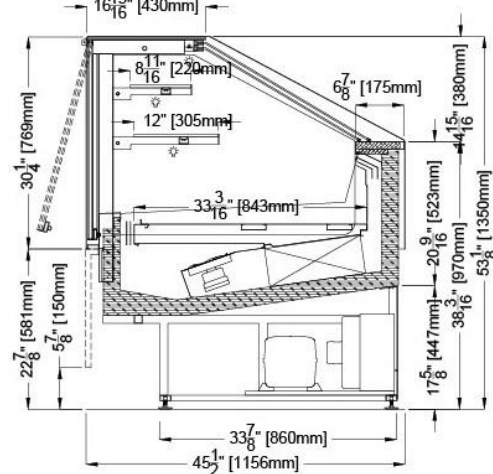
DIAMOND PRO 3 DELI/PASTRY: DIAMOND PRO 3 DP1150, DIAMOND PRO 3 DP1650, DIAMOND PRO 3 DP2150

### STANDARD: DIAMOND PRO 1-2-3 DELI/PASTRY SECTION VIEWS

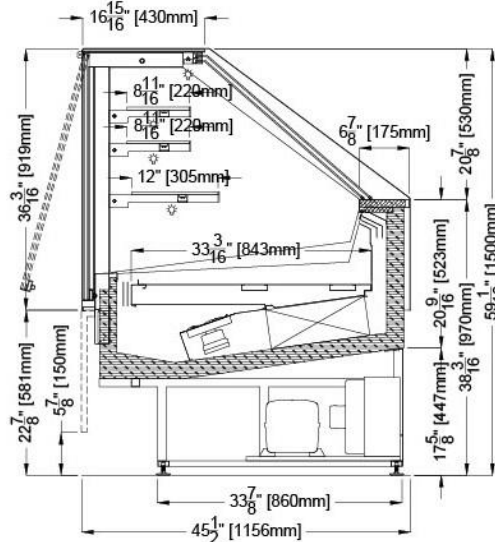
**DIAMOND PRO 1 – 47 1/4”H**



**DIAMOND PRO 2 – 53 1/8”H**



**DIAMOND PRO 3 – 59 1/16”H**



\*Oscartek reserves the right to change, modify, discontinue, or change any features, sizes, or capacity on any model without prior notice.



Project Name: \_\_\_\_\_  
 Item #: \_\_\_\_\_ Quantity: \_\_\_\_\_

## DIAMOND PRO 1-2-3 DELI/PASTRY

DIAMOND PRO 1 DELI/PASTRY: DIAMOND PRO 1 DP1150, DIAMOND PRO 1 DP1650, DIAMOND PRO 1 DP2150

DIAMOND PRO 2 DELI/PASTRY: DIAMOND PRO 2 DP1150, DIAMOND PRO 2 DP1650, DIAMOND PRO 2 DP2150

DIAMOND PRO 3 DELI/PASTRY: DIAMOND PRO 3 DP1150, DIAMOND PRO 3 DP1650, DIAMOND PRO 3 DP2150

DIAMOND PRO 1 DELI/PASTRY (FULLY REFRIGERATED)				
TECHNICAL FEATURES		MODELS		
		DIAMOND PRO 1 DP1150 (DMD1PRODP45)	DIAMOND PRO 1 DP1650 (DMD1PRODP64)	DIAMOND PRO 1 DP2150 (DMD1PRODP84)
External Dimensions (L-D-H) Inches-MM	Inches MM	* 46 15/16" - 45 1/2" - 47 1/4" *1193 - 1155 - 1200	* 66 5/8" - 45 1/2" - 47 1/4" *1693 - 1155 - 1200	* 86 5/16" - 45 1/2" - 47 1/4" *2193 - 1155 - 1200
Crated Dimensions (L-D-H) Inches-MM	Inches MM	54" - 52" - 53" 1372 - 1320 - 1346	74" - 52" - 53" 1880 - 1320 - 1346	93" - 52" - 53" 2362 - 1320 - 1346
Refrigeration	Type	Fan Ventilated	Fan Ventilated	Fan Ventilated
Refrigeration Display Area	Type	Deck / Shelves	Deck / Shelves	Deck / Shelves
Operating Temperature	°F	39.2°F	39.2°F	39.2°F
Compressor	Nr./Type	1 / Hermetic	1 / Hermetic	1 / Hermetic
Electric Supply	(V/Ph/Hz)	120/1/60	120/1/60	120/1/60
BTU'S @ +10°F Evap Temperature	BTU'S	3000	4100	4800
Power Consumption	(W/A)	1350/12,9	1450/13,7	1550/14,8
Defrost	Mode/Type	Electric	Electric	Electric
Climatic Class	°F/H.R.	75°F-55%RH	75°F-55%RH	75°F-55%RH
Refrigerant Gas	Type	R404A / R452A	R404A / R452A	R404A / R452A
Pipe Size (mm)	Suction, Liquid	12/ 6	14 / 8	16 / 8
Net Weights	Lb	450	655	740
Crated Weights	Lb	540	755	850

\* DIMENSIONS ARE WITH STANDARD POLISHED S/S SKIN SIDES

\*Oscartek reserves the right to change, modify, discontinue, or change any features, sizes, or capacity on any model without prior notice.

OSCARTEK®  
 512 South Airport Blvd., South San Francisco, CA 94080  
 Tel: 650.342.2400 | Fax: 650.342.7400  
 www.oscartek.com







Project Name: \_\_\_\_\_  
 Item #: \_\_\_\_\_ Quantity: \_\_\_\_\_

## DIAMOND PRO 1-2-3 DELI/PASTRY

DIAMOND PRO 1 DELI/PASTRY: DIAMOND PRO 1 DP1150, DIAMOND PRO 1 DP1650, DIAMOND PRO 1 DP2150

DIAMOND PRO 2 DELI/PASTRY: DIAMOND PRO 2 DP1150, DIAMOND PRO 2 DP1650, DIAMOND PRO 2 DP2150

DIAMOND PRO 3 DELI/PASTRY: DIAMOND PRO 3 DP1150, DIAMOND PRO 3 DP1650, DIAMOND PRO 3 DP2150

DIAMOND PRO 2 DELI/PASTRY (FULLY REFRIGERATED)				
TECHNICAL FEATURES		MODELS		
		DIAMOND PRO 2 DP1150 (DMD2PRODP45)	DIAMOND PRO 2 DP1650 (DMD2PRODP64)	DIAMOND PRO 2 DP2150 (DMD2PRODP84)
External Dimensions (L-D-H) Inches-MM	Inches MM	* 46 15/16" - 45 1/2" - 53 1/8" *1193 - 1155 - 1350	* 66 5/8" - 45 1/2" - 53 1/8" *1693 - 1155 - 1350	* 86 5/16" - 45 1/2" - 53 1/8" *2193 - 1155 - 1350
Crated Dimensions (L-D-H) Inches-MM	Inches MM	54" - 52" - 61" 1372 - 1320 - 1549	73" - 52" - 61" 1854 - 1320 - 1549	93" - 52" - 61" 2362 - 1320 - 1549
Refrigeration	Type	Fan Ventilated	Fan Ventilated	Fan Ventilated
Refrigeration Display Area	Type	Deck / Shelves	Deck / Shelves	Deck / Shelves
Operating Temperature	°F	39.2°F	39.2°F	39.2°F
Compressor	Nr./Type	1 / Hermetic	1 / Hermetic	1 / Hermetic
Electric Supply	(V/Ph/Hz)	120/1/60	120/1/60	120/1/60
BTU'S @ +10°F Evap Temperature	BTU'S	3100	4250	5000
Power Consumption	(W/A)	1350/12,9	1450/13,7	1550/14,8
Defrost	Mode/Type	Electric	Electric	Electric
Climatic Class	°F/H.R.	75°F-55%RH	75°F-55%RH	75°F-55%RH
Refrigerant Gas	Type	R404A / R452A	R404A / R452A	R404A / R452A
Pipe Size (mm)	Suction, Liquid	12/ 6	14 / 8	16 / 8
Net Weights	Lb	460	665	750
Crated Weights	Lb	550	765	860

\* DIMENSIONS ARE WITH STANDARD POLISHED S/S SKIN SIDES

\*Oscartek reserves the right to change, modify, discontinue, or change any features, sizes, or capacity on any model without prior notice.

OSCARTEK®  
 512 South Airport Blvd., South San Francisco, CA 94080  
 Tel: 650.342.2400 | Fax: 650.342.7400  
 www.oscartek.com





Project Name: \_\_\_\_\_  
 Item #: \_\_\_\_\_ Quantity: \_\_\_\_\_

## DIAMOND PRO 1-2-3 DELI/PASTRY

DIAMOND PRO 1 DELI/PASTRY: DIAMOND PRO 1 DP1150, DIAMOND PRO 1 DP1650, DIAMOND PRO 1 DP2150

DIAMOND PRO 2 DELI/PASTRY: DIAMOND PRO 2 DP1150, DIAMOND PRO 2 DP1650, DIAMOND PRO 2 DP2150

DIAMOND PRO 3 DELI/PASTRY: DIAMOND PRO 3 DP1150, DIAMOND PRO 3 DP1650, DIAMOND PRO 3 DP2150

DIAMOND PRO 3 DELI/PASTRY (FULLY REFRIGERATED)				
TECHNICAL FEATURES		MODELS		
		DIAMOND PRO 3 DP1150 (DMD3PRODP45)	DIAMOND PRO 3 DP1650 (DMD3PRODP64)	DIAMOND PRO 3 DP2150 (DMD3PRODP84)
External Dimensions (L-D-H) Inches-MM	Inches MM	* 46 15/16" - 45 1/2" - 59 1/16" *1193 - 1155 - 1500	* 66 5/8" - 45 1/2" - 59 1/16" *1693 - 1155 - 1500	* 86 5/16" - 45 1/2" - 59 1/16" *2193 - 1155 - 1500
Crated Dimensions (L-D-H) Inches-MM	Inches MM	53" - 52" - 67" 1346 - 1320 - 1701	73" - 52" - 67" 1854 - 1320 - 1701	93" - 52" - 67" 2362 - 1320 - 1701
Refrigeration	Type	Fan Ventilated	Fan Ventilated	Fan Ventilated
Refrigeration Display Area	Type	Deck / Shelves	Deck / Shelves	Deck / Shelves
Operating Temperature	°F	39.2°F	39.2°F	39.2°F
Compressor	Nr./Type	1 / Hermetic	1 / Hermetic	1 / Hermetic
Electric Supply	(V/Ph/Hz)	120/1/60	120/1/60	120/1/60
BTU'S @ +10°F Evap Temperature	BTU'S	3200	4350	5100
Power Consumption	(W/A)	1390/13,0	1550/14,8	1650/15,8
Defrost	Mode/Type	Electric	Electric	Electric
Climatic Class	°F/H.R.	75°F-55%RH	75°F-55%RH	75°F-55%RH
Refrigerant Gas	Type	R404A / R452A	R404A / R452A	R404A / R452A
Pipe Size (mm)	Suction, Liquid	12/ 6	14 / 8	16 / 8
Net Weights	Lb	470	580	765
Crated Weights	Lb	560	780	880

\* DIMENSIONS ARE WITH STANDARD POLISHED S/S SKIN SIDES

\*Oscartek reserves the right to change, modify, discontinue, or change any features, sizes, or capacity on any model without prior notice.

OSCARTEK®  
 512 South Airport Blvd., South San Francisco, CA 94080  
 Tel: 650.342.2400 | Fax: 650.342.7400  
 www.oscartek.com

