

STANDARD FEATURES

- Matches all Gem series
- LED lighting system
- Stainless steel lower interior foam tub
- Galvanized chassis structure
- Condensate evaporator pan
- Cases ship standard unfinished

OPTIONS

- (2) depths available: 25 1/2"D & 32 3/8"D
- Cold storage on 1300 models and bigger
- Remote condensing unit
- RAL color/laminate front and side panels
- Casters



GEM GRAB AND GO - A: 32 3/8"D					
TECHNICAL FEATURES		MODELS			
		GEM GNG900	GEM GNG1000	GEM GNG1300	GEM GNG1500
External Dimensions (L-D-H)	Inches	35 7/16" - 32 3/8" - 34"	39 3/8" - 32 3/8" - 34"	51 3/16" - 32 3/8" - 34"	59 1/16" - 32 3/8" - 34"
	Inches-MM	900 - 823 - 864	1000 - 823 - 864	1300 - 823 - 864	1500 - 823 - 864
Crated Dimensions (L-D-H)	Inches	41" - 39 3/8" - 40"	45" - 39 3/8" - 40"	59" - 39 3/8" - 40"	67" - 39 3/8" - 40"
	Inches-MM	1041 - 1000 - 1016	1150 - 1000 - 1016	1500 - 1000 - 1016	1700 - 1000 - 1016
Refrigeration	Type	Ventilated	Ventilated	Ventilated	Ventilated
Refrigeration Display Area	Type	Deck	Deck	Deck	Deck
Operating Temperature	°F	40°F	40°F	40°F	40°F
Compressor	Nr./Type	Hermetic	Hermetic	Hermetic	Hermetic
BTU'S @ +14°F Evap Temperature	BTU'S	4400 BTU'S	4400 BTU'S	5800 BTU'S	7200 BTU'S
Electric Supply	(V/Ph/Hz)	220/1/60	220/1/60	220/1/60	220/1/60
Power Consumption	(A)	8A	8A	12A	14A
Defrost	Mode/Type	Air	Air	Air	Air
Refrigerant Gas	Type	R404A	R404A	R404A	R404A
Net Weights	Kg/Lb	120Kgs / 234Lbs	120Kgs / 264Lbs	135Kgs / 298Lbs	158Kgs / 348Lbs
Crated Weights	Kg/Lb	150Kgs / 310Lbs	150Kgs / 330Lbs	165Kgs / 364Lbs	180Kgs / 388Lbs

* DIMENSIONS ARE WITHOUT SIDE PANELS

GEM GRAB AND GO - A: 32 3/8"D					
TECHNICAL FEATURES		MODELS			
		GEM GNG1700	GEM GNG2000	GEM GNGA90SQ	GEM GNGA90C
External Dimensions (L-D-H)	Inches	66 15/16" - 32 3/8" - 34"	78 3/4" - 32 3/8" - 34"	51 3/16" - 32 3/8" - 34"	78 3/16" - 32 3/8" - 34"
	Inches-MM	1700 - 823 - 864	823 - 864	1300 - 823 - 864	1986 - 823 - 864
Crated Dimensions (L-D-H)	Inches	74 3/4" - 39 3/8" - 40"	84" - 39 3/8" - 40"	57" - 39 3/8" - 40"	85" - 39 3/8" - 40"
	Inches-MM	1900 - 1000 - 1016	2150 - 1000 - 1016	1447 - 1000 - 1016	2159 - 1000 - 1016
Refrigeration	Type	Ventilated	Ventilated	Ventilated	Ventilated
Refrigeration Display Area	Type	Deck	Deck	Deck	Deck
Operating Temperature	°F	40°F	40°F	40°F	40°F
Compressor	Nr./Type	Hermetic	Hermetic	Hermetic	Hermetic
BTU'S @ +14°F Evap Temperature	BTU'S	7600 BTU'S	6200 BTU'S	6200 BTU'S	6200 BTU'S
Electric Supply	(V/Ph/Hz)	220/1/60	220/1/60	220/1/60	220/1/60
Power Consumption	(A)	16A	18A	16A	16A
Defrost	Mode/Type	Air	Air	Air	Air
Refrigerant Gas	Type	R404A	R404A	R404A	R404A
Net Weights	Kg/Lb	187Kgs / 412Lbs	202Kgs / 445Lbs	260Kgs / 572Lbs	260Kgs / 572Lbs
Crated Weights	Kg/Lb	217Kgs / 478Lbs	235Kgs / 518Lbs	310Kgs / 674Lbs	310Kgs / 674Lbs

* DIMENSIONS ARE WITHOUT SIDE PANELS

* Manufacturer reserves the right to change specifications without notice. Not responsible for error and omissions.



361-367 Beach Road, Burlingame, CA 94010
 Tel: 855.885.2400 | 650.342.2400 | Fax: 650.342.7400
 sales@oscartek.com | www.oscartek.com



GEM GRAB AND GO - B: 25 1/2"D					
TECHNICAL FEATURES		MODELS			
		GEM GNG900	GEM GNG1000	GEM GNG1300	GEM GNG1500
External Dimensions (L-D-H)	Inches	35 7/16" - 25 1/2" - 34"	39 3/8" - 25 1/2" - 34"	51 3/16" - 25 1/2" - 34"	59 1/16" - 25 1/2" - 34"
	MM	900 - 648 - 864	1000 - 648 - 864	1300 - 648 - 864	1500 - 648 - 864
Crated Dimensions (L-D-H)	Inches	41" - 31 3/8" - 40"	45" - 31 3/8" - 40"	59" - 31 3/8" - 40"	67" - 31 3/8" - 40"
	MM	1041 - 796 - 1016	1150 - 796 - 1016	1500 - 796 - 1016	1700 - 796 - 1016
Refrigeration	Type	Ventilated	Ventilated	Ventilated	Ventilated
Refrigeration Display Area	Type	Deck	Deck	Deck	Deck
Operating Temperature	°F	40°F	40°F	40°F	40°F
Compressor	Nr./Type	Hermetic	Hermetic	Hermetic	Hermetic
BTU'S @ +14°F Evap Temperature	BTU'S	4400 BTU'S	4400 BTU'S	5800 BTU'S	7200 BTU'S
Electric Supply	(V/Ph/Hz)	120/1/60	120/1/60	220/1/60	220/1/60
Power Consumption	(A)	8A	8A	12A	14A
Defrost	Mode/Type	Air	Air	Air	Air
Refrigerant Gas	Type	R404A	R404A	R404A	R404A
Net Weights	Kg/Lb	97Kgs / 214Lbs	110Kgs / 244Lbs	126Kgs / 278Lbs	148Kgs / 328Lbs
Crated Weights	Kg/Lb	136Kgs / 300Lbs	140Kgs / 310Lbs	156Kgs / 344Lbs	166Kgs / 368Lbs

* DIMENSIONS ARE WITHOUT SIDE PANELS

GEM GRAB AND GO - B: 25 1/2"D					
TECHNICAL FEATURES		MODELS			
		GEM GNG1700	GEM GNG2000	GEM GNGA90SQ	GEM GNGA90C
External Dimensions (L-D-H)	Inches	66 15/16" - 25 1/2" - 34"	78 3/4" - 25 1/2" - 34"	51 3/16" - 25 1/2" - 34"	78 3/16" - 25 1/2" - 34"
	MM	1700 - 648 - 864	2000 - 648 - 864	1300 - 648 - 864	1986 - 823 - 864
Crated Dimensions (L-D-H)	Inches	74 3/4" - 31 3/8" - 40"	84" - 31 3/8" - 40"	57" - 31 3/8" - 40"	85" - 31 3/8" - 40"
	MM	1900 - 796 - 1016	2150 - 796 - 1016	1447 - 796 - 1016	2159 - 796 - 1016
Refrigeration	Type	Ventilated	Ventilated	Ventilated	Ventilated
Refrigeration Display Area	Type	Deck	Deck	Deck	Deck
Operating Temperature	°F	40°F	40°F	40°F	40°F
Compressor	Nr./Type	Hermetic	Hermetic	Hermetic	Hermetic
BTU'S @ +14°F Evap Temperature	BTU'S	7600 BTU'S	6200BTU'S	6200BTU'S	6200BTU'S
Electric Supply	(V/Ph/Hz)	220/1/60	220/1/60	220/1/60	220/1/60
Power Consumption	(A)	16A	18A	16A	16A
Defrost	Mode/Type	Air	Air	Air	Air
Refrigerant Gas	Type	R404A	R404A	R404A	R404A
Net Weights	Kg/Lb	177Kgs / 392Lbs	192Kgs / 425Lbs	260Kgs / 572Lbs	260Kgs / 572Lbs
Crated Weights	Kg/Lb	207Kgs / 458Lbs	225Kgs / 498Lbs	310Kgs / 674Lbs	310Kgs / 674Lbs

* DIMENSIONS ARE WITHOUT SIDE PANELS

* Manufacturer reserves the right to change specifications without notice. Not responsible for error and omissions.



361-367 Beach Road, Burlingame, CA 94010
 Tel: 855.885.2400 | 650.342.2400 | Fax: 650.342.7400
 sales@oscartek.com | www.oscartek.com

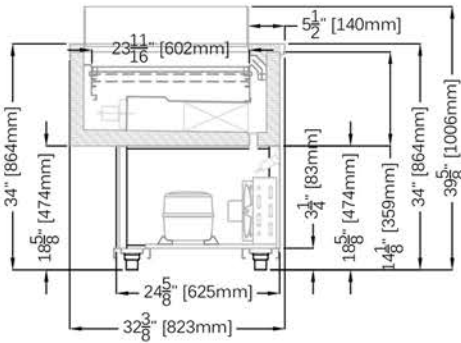


GEM GNG

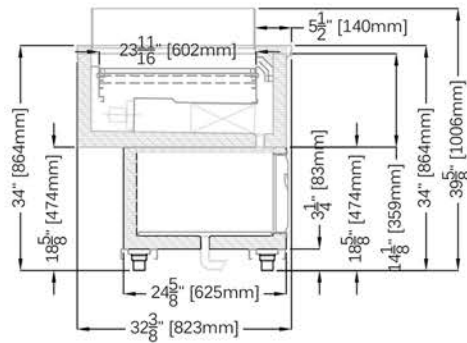
Grab and Go Showcase

A- GEM GNG: 32 3/8" DEPTH

WITHOUT COLD STORAGE



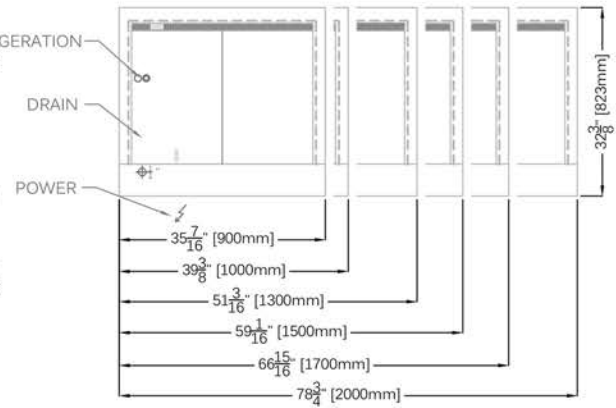
WITH COLD STORAGE



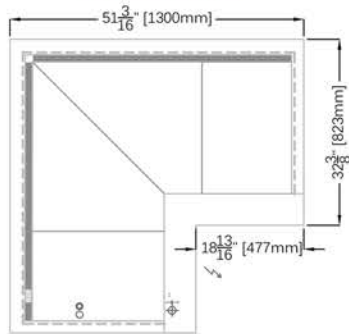
REFRIGERATION LINES

DRAIN

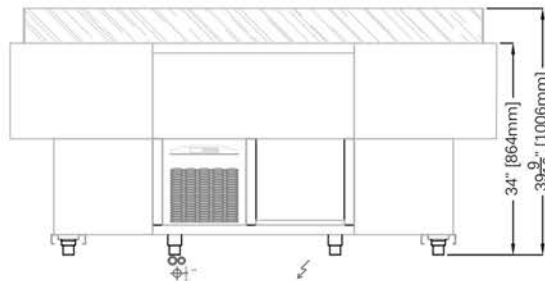
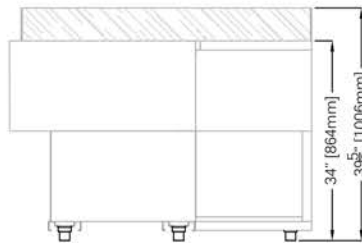
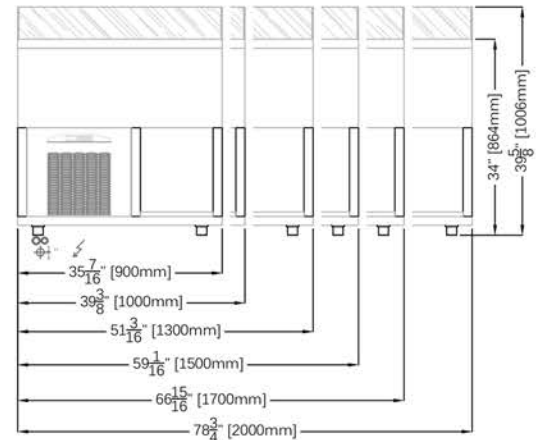
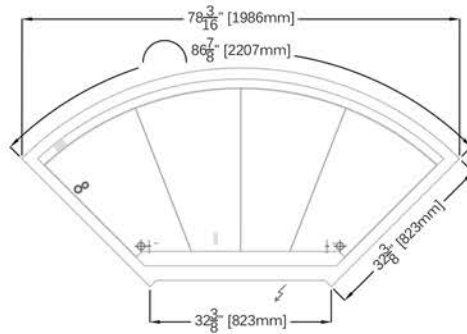
POWER



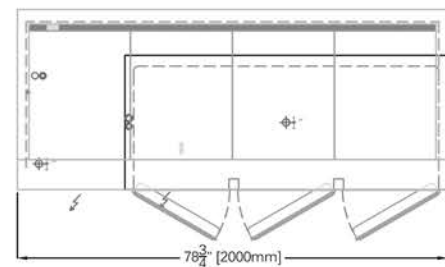
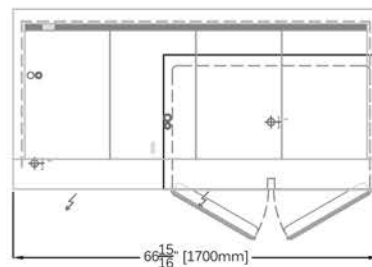
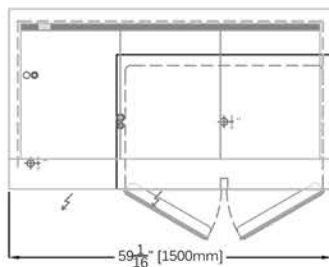
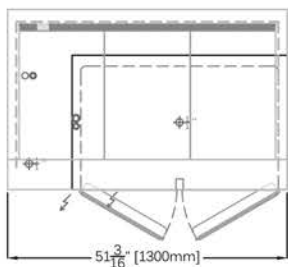
A90 SQUARE



A90 CURVED



COLD STORAGE: AVAILABLE IN 1300, 1500, 1700, 2000



* Manufacturer reserves the right to change specifications without notice. Not responsible for error and omissions.

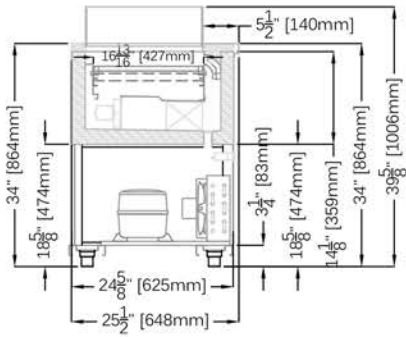


361-367 Beach Road, Burlingame, CA 94010
 Tel: 855.885.2400 | 650.342.2400 | Fax: 650.342.7400
 sales@oscartek.com | www.oscartek.com

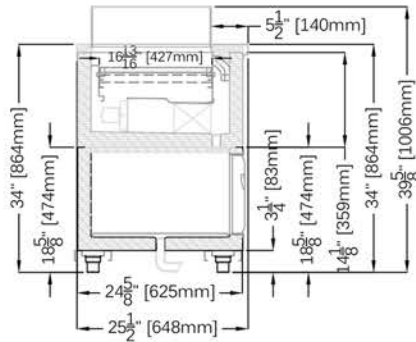


B- GEM GNG: 25 1/2" DEPTH

WITHOUT COLD STORAGE



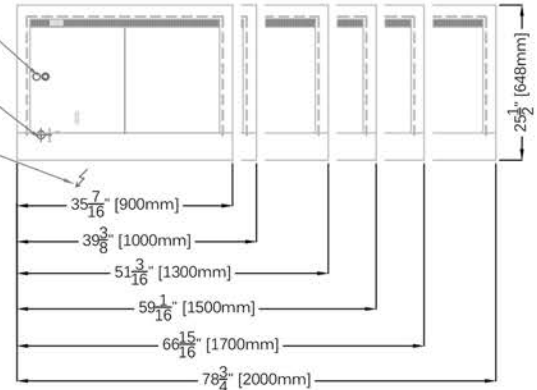
WITH COLD STORAGE



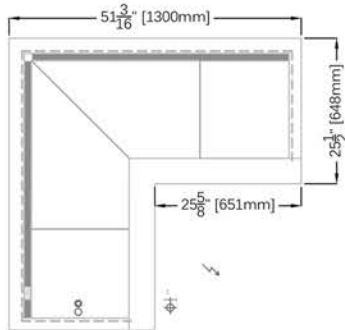
REFRIGERATION LINES

DRAIN

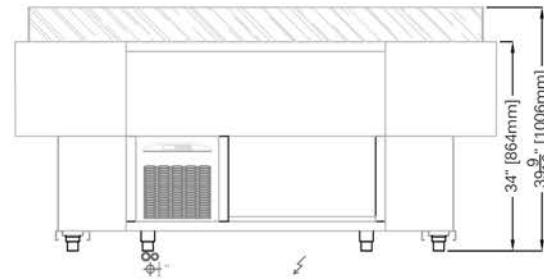
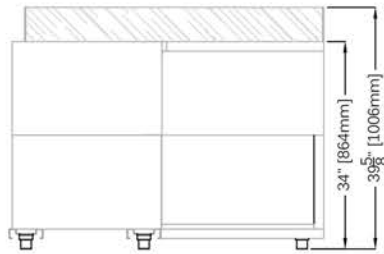
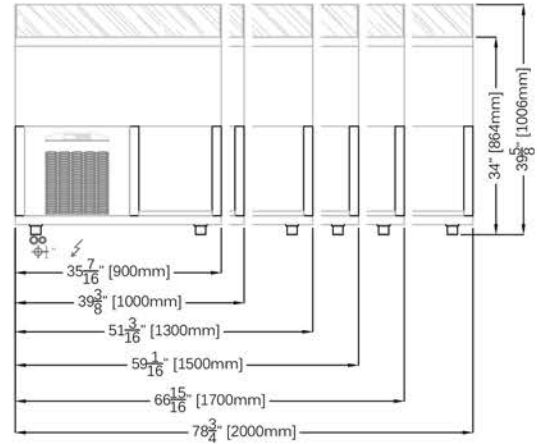
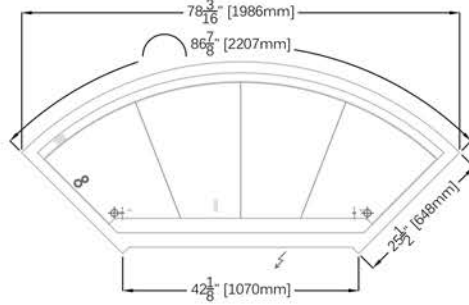
POWER



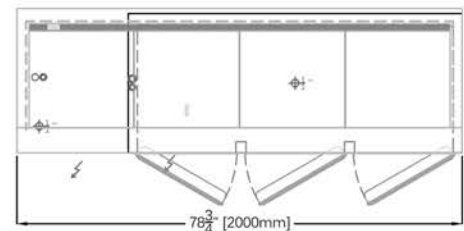
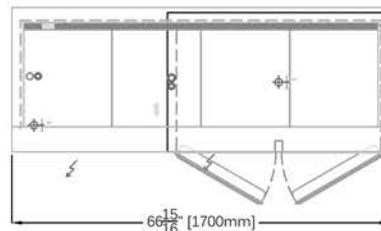
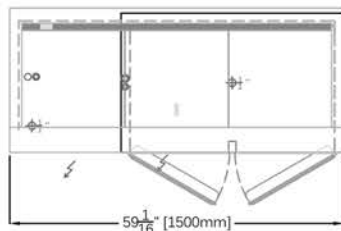
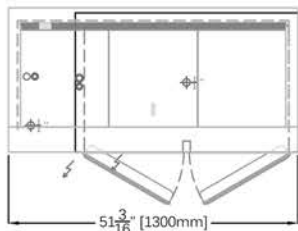
A90 SQUARE



A90 CURVED



COLD STORAGE: AVAILABLE IN 1300, 1500, 1700, 2000



* Manufacturer reserves the right to change specifications without notice. Not responsible for error and omissions.