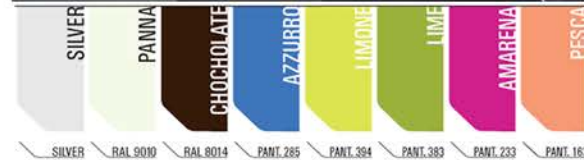
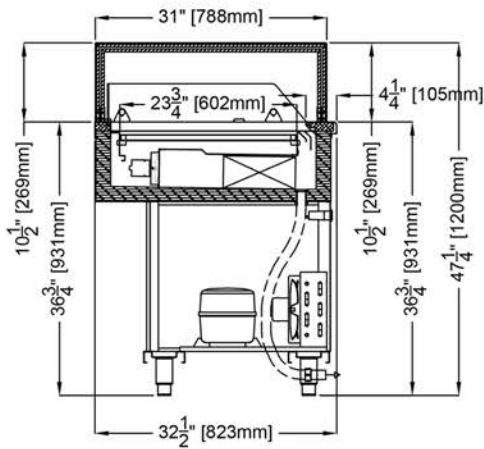


GEM R3

Deli/Pastry Showcase



STANDARD FEATURES

- LED lighting system
- Extra clear double bridge glass upper structure
- Stainless steel lower interior foam tub
- Galvanized chassis structure
- All tempered glass
- Cases ship standard unfinished

OPTIONS

- Cold storage
- Remote condensing unit
- Casters
- RAL color/laminate front and side panels
- Available in matching Gelato case



PHOTO SHOWN MATCHING GELATO

GEM R3 DELI/PASTRY						
TECHNICAL FEATURES		MODELS				
		GEM R3 DP1000	GEM R3 DP1300	GEM R3 DP1500	GEM R3 DP1700	GEM R3 DP2000
External Dimensions (L-D-H)	Inches	39 1/4" - 32 1/2" - 47 1/4"	51 1/4" - 32 1/2" - 47 1/4"	59" - 32 1/2" - 47 1/4"	67" - 32 1/2" - 47 1/4"	78 3/4" - 32 1/2" - 47 1/4"
	Inches-MM	1000 - 823 - 1200	1300 - 823 - 1200	1500 - 823 - 1200	1700 - 823 - 1200	2000 - 823 - 1200
Crated Dimensions (L-D-H)	Inches	45" - 39 3/8" - 53 1/8"	59" - 39 3/8" - 53 1/8"	67" - 39 3/8" - 53 1/8"	74 3/4" - 39 3/8" - 53 1/8"	84" - 39 3/8" - 53 1/8"
	Inches-MM	1150 - 1000 - 1350	1500 - 1000 - 1350	1700 - 1000 - 1350	1900 - 1000 - 1350	2150 - 1000 - 1350
Refrigeration	Type	Ventilated	Ventilated	Ventilated	Ventilated	Ventilated
Refrigeration Display Area	Type	Deck	Deck	Deck	Deck	Deck
Operating Temperature	°F	40°F	40°F	40°F	40°F	40°F
Compressor	Nr./Type	Hermetic	Hermetic	Hermetic	Hermetic	Hermetic
BTU'S @ +14°F Evap Temperature	BTU's	1610 BTU'S	2380 BTU'S	3150 BTU'S	3350 BTU'S	3980 BTU'S
Electric Supply	(V/Ph/Hz)	120/1/60	120/1/60	120/1/60	120/1/60	120/1/60
Power Consumption	(A)	8A	10A	11A	12A	14A
Defrost	Mode/Type	Air	Air	Air	Air	Air
Refrigerant Gas	Type	R404A	R404A	R404A	R404A	R404A
Net Weights	Kg/Lb	120Kgs / 264Lbs	135Kgs / 298Lbs	158Kgs / 348Lbs	187Kgs / 412Lbs	202Kgs / 445Lbs
Crated Weights	Kg/Lb	150Kgs / 330Lbs	165Kgs / 364Lbs	180Kgs / 388Lbs	217Kgs / 478Lbs	235Kgs / 518Lbs

* Dimensions are without side panels



361-367 Beach Road, Burlingame, CA 94010
 Tel: 855.885.2400 | 650.342.2400 | Fax: 650.342.7400
 sales@oscartek.com | www.oscartek.com

