



Discover the Art of Display...

Project Name: _____

Item #: _____ Quantity: _____



Custom front panel by others. Interior deck epoxy coated white optional



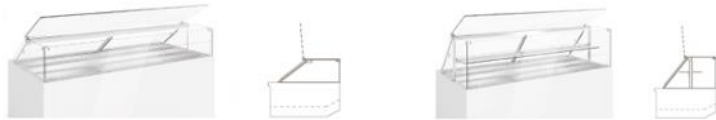
Custom Gem R4 A90 curve



Visit our website for more finishing options and RAL colors
www.oscartek.com

OPTIONAL GLASS TOPS

R4UP – 47 1/4”H: Lift up front top glass without shelf
R4UP – 53 1/8”H: Lift up front top glass with non-refrigerated shelf



S2 – 47 1/4”H: Tilt down front glass hinged without shelf
S2 – 53 1/8”H: Tilt down front glass hinged with non-refrigerated shelf



GEM R4 Chocolate Showcase

MODELS: GEM R4 C900, GEM R4 C1000, GEM R4 C1300, GEM R4 C1500, GEM R4 C1700, GEM R4 C2000, GEM R4 C2100, GEM R4 C2600, GEM R4 C3000, GEM R4 CA90SQ. GEM R4 CA90C. GEM R4 CA45

STANDARD FEATURES

- Humidity control
- Extra clear glass: front, top, sides glasses with front air baffle
- All tempered glass
- Diffused LED lighting 3000°K
- Sliding acrylic back doors
- Stainless steel lower interior foam tub
- Galvanized chassis structure
- Cases ship standard unfinished front and polished stainless steel skin sides

OPTIONS

- Available height – 53 1/8”H with (1) non-refrigerated shelf
- Narrow depth – 25 7/16”D
- R4UP glass top – Lift up front top glass
- S2 glass top – Tilt down front glass hinged
- Work top perimeter (brushed s/s, corian, granite)
- Stainless steel step shelf
- Cold storage
- Remote condensing unit
- Epoxy RAL color interior and exterior over stainless steel
- RAL color/custom plastic wood laminate exterior front and sides
- Unfinished panels to accept millwork by others
- Condensate heated pan
- Casters

*Oscartek reserves the right to change, modify, discontinue, or change any features, sizes, or capacity on any model without prior notice.

OSCARTEK®
512 South Airport Blvd., South San Francisco, CA 94080
Tel: 650.342.2400 | Fax: 650.342.7400
www.oscartek.com



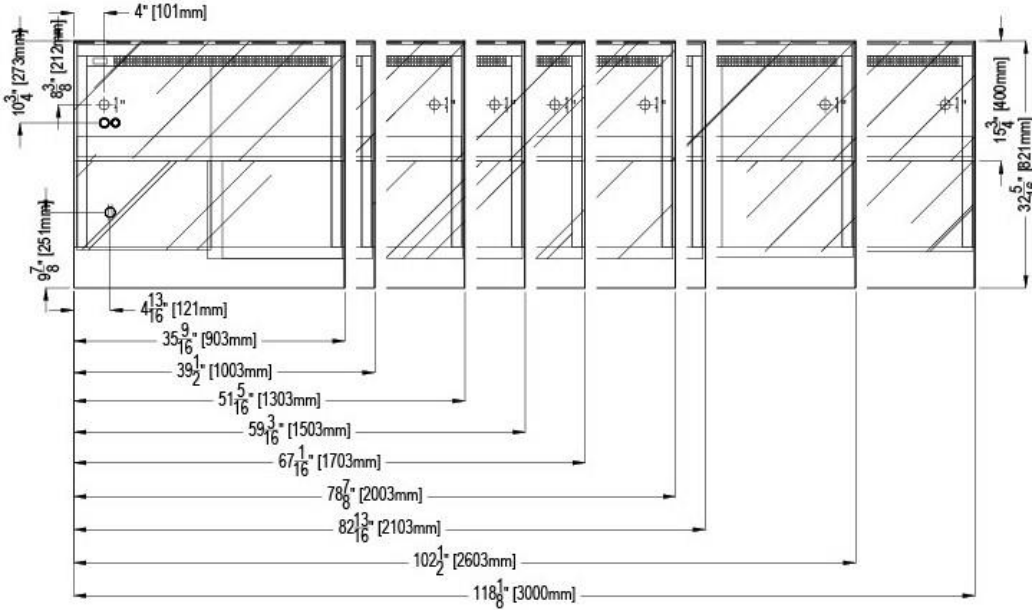
GEM R4 CHOCOLATE

MODELS: GEM R4 C900, GEM R4 C1000, GEM R4 C1300, GEM R4 C1500, GEM R4 C1700, GEM R4 C2000, GEM R4 C2100, GEM R4 C2600, GEM R4 C3000, GEM R4 CA90SQ, GEM R4 CA90C, GEM R4 CA45

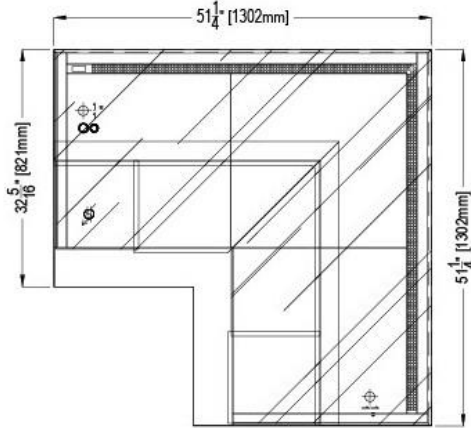
STANDARD: GEM R4 CHOCOLATE

PLAN VIEWS

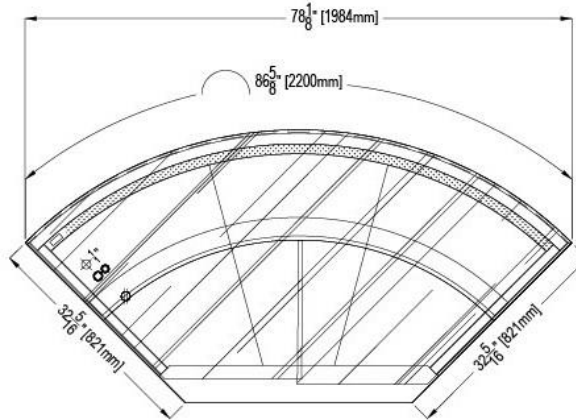
GEM R4 CHOCOATE LINEAR MODELS



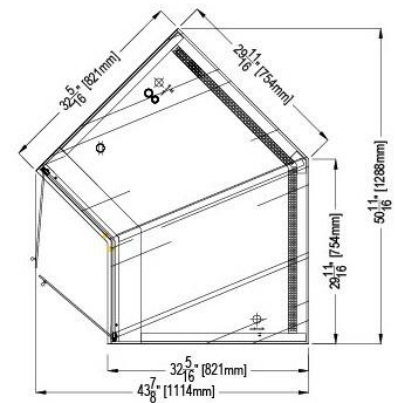
GEM R4 CA90SQ




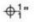

GEM R4 CA90C



GEM R4 CA45



ELECTRICAL LEGEND

	REFRIGERATION LINES
	DRAIN
	POWER

*Oscartek reserves the right to change, modify, discontinue, or change any features, sizes, or capacity on any model without prior notice.

OSCARTEK®

512 South Airport Blvd., South San Francisco, CA 94080

Tel: 650.342.2400 | Fax: 650.342.7400

www.oscartek.com

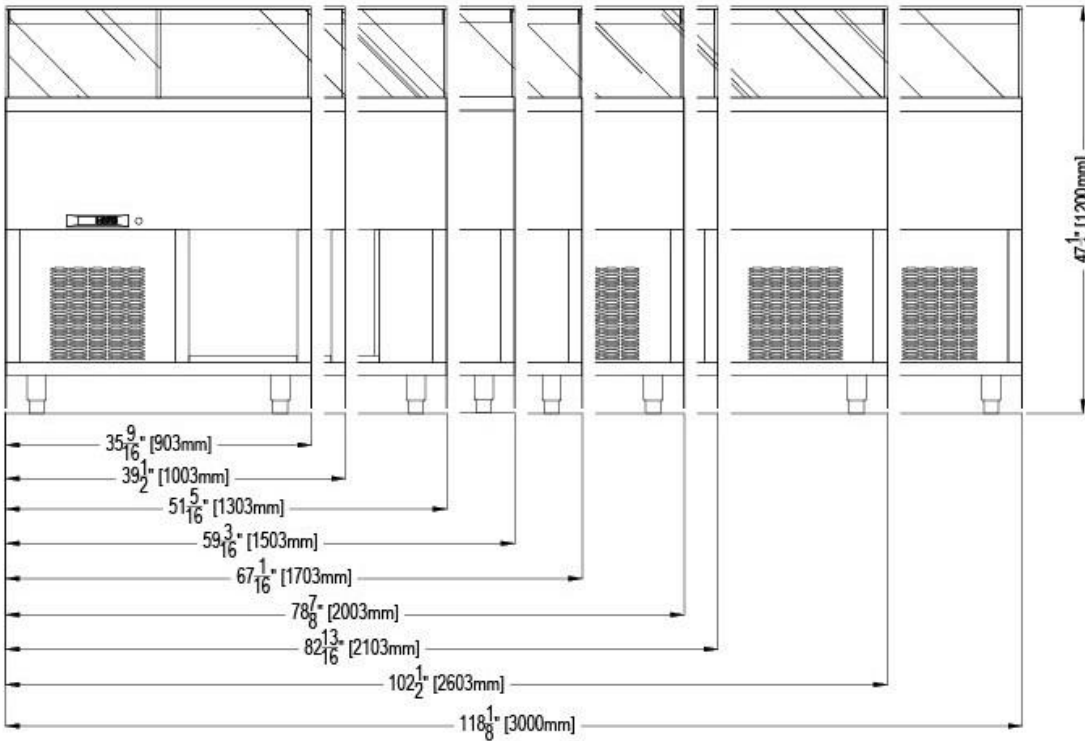


GEM R4 CHOCOLATE

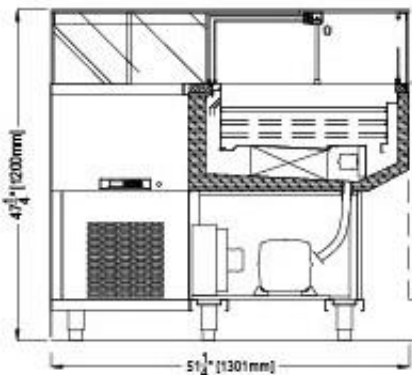
MODELS: GEM R4 C900, GEM R4 C1000, GEM R4 C1300, GEM R4 C1500, GEM R4 C1700, GEM R4 C2000, GEM R4 C2100, GEM R4 C2600, GEM R4 C3000, GEM R4 CA90SQ, GEM R4 CA90C, GEM R4 CA45

STANDARD: GEM R4 CHOCOLATE REAR ELEVATIONS (OPERATOR SIDE)

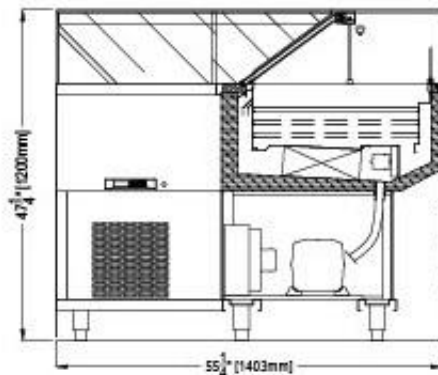
GEM R4 CHOCOATE LINEAR MODELS



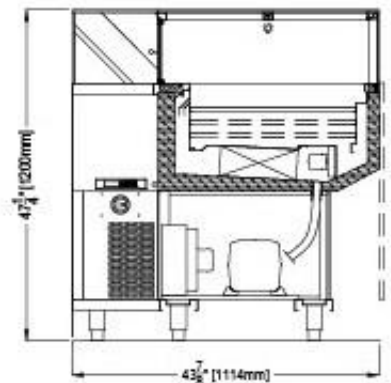
GEM R4 CA90SQ



GEM R4 CA90C



GEM R4 CA90



*Oscartek reserves the right to change, modify, discontinue, or change any features, sizes, or capacity on any model without prior notice.



Discover the Art of Display...

Project Name: _____

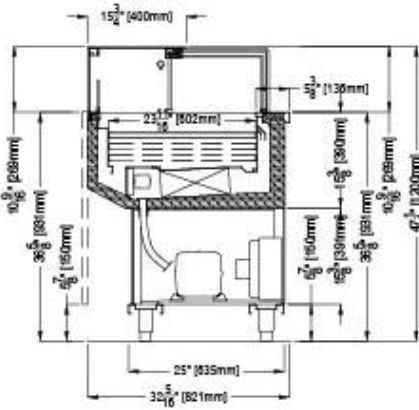
Item #: _____ Quantity: _____

GEM R4 CHOCOLATE

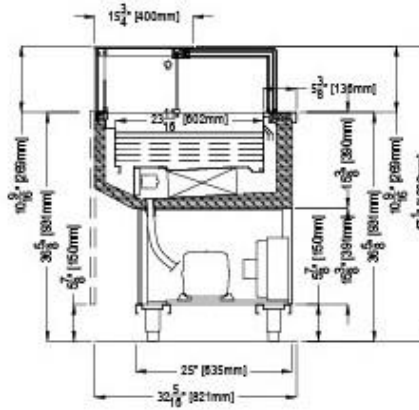
MODELS: GEM R4 C900, GEM R4 C1000, GEM R4 C1300, GEM R4 C1500, GEM R4 C1700, GEM R4 C2000, GEM R4 C2100, GEM R4 C2600, GEM R4 C3000, GEM R4 CA90SQ, GEM R4 CA90C, GEM R4 CA45

STANDARD: GEM R4 CHOCOLATE SECTION VIEWS

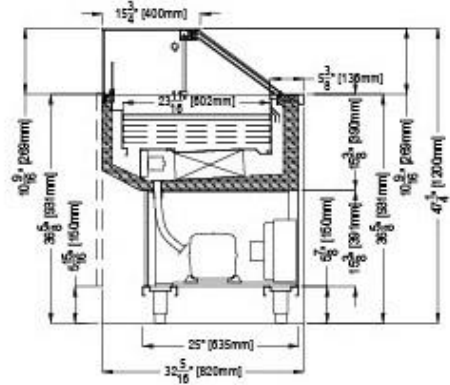
ALL GEM R4 CHOCOLATE LINEAR MODELS + CA90SQ (EXCEPT FOR GEM R4 C3000)



GEM R4 C3000

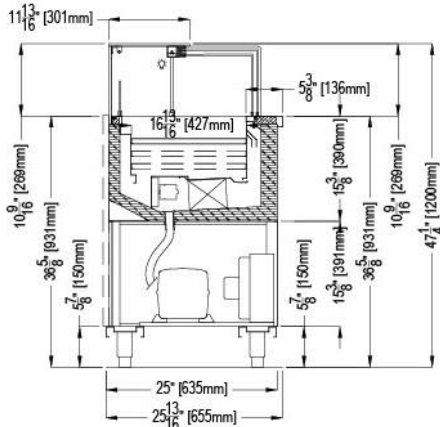


GEM R4 CA90C

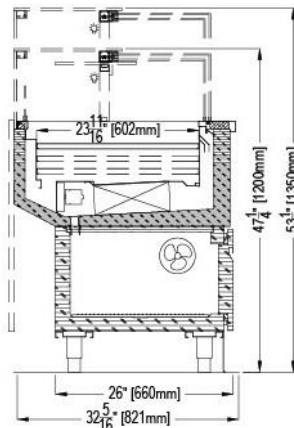


OPTIONAL: GEM R4 CHOCOLATE SECTION VIEWS

GEM R4 CHOCOLATE AVAILABLE IN 53-1/8" H WITH NON-REFRIGERATED SHELF



GEM R4 CHOCOLATE WITH COLD STORAGE AVAILABLE IN 47-1/4" H & 53-1/8" H



*Oscartek reserves the right to change, modify, discontinue, or change any features, sizes, or capacity on any model without prior notice.

OSCARTEK®
512 South Airport Blvd., South San Francisco, CA 94080
Tel: 650.342.2400 | Fax: 650.342.7400
www.oscartek.com





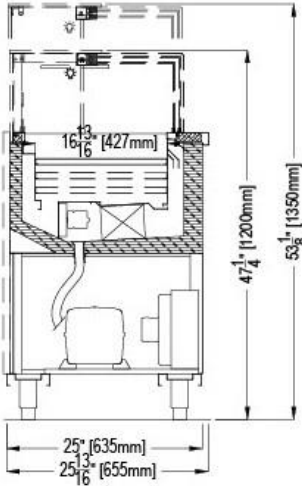
Project Name: _____
 Item #: _____ Quantity: _____

GEM R4 CHOCOLATE

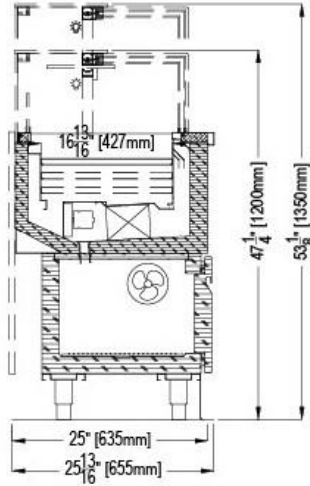
MODELS: GEM R4 C900, GEM R4 C1000, GEM R4 C1300, GEM R4 C1500, GEM R4 C1700, GEM R4 C2000, GEM R4 C2100, GEM R4 C2600, GEM R4 C3000, GEM R4 CA90SQ, GEM R4 CA90C, GEM R4 CA45

OPTIONAL: GEM R4 CHOCOLATE SECTION VIEWS

GEM R4 CHOCOLATE NARROW
 AVAILABLE IN 47-1/4"H & 53-1/8"H



GEM R4 CHOCOLATE NARROW WITH COLD STORAGE
 AVAILABLE IN 47-1/4"H & 53-1/8"H



GEM R4 CHOCOLATE					
TECHNICAL FEATURES		MODELS			
		GEM R4 C900	GEM R4 C1000	GEM R4 C1300	GEM R4 C1500
External Dimensions (L-D-H)	Inches	*35 9/16" - 32 5/16" - 47 1/4"	*39 1/2" - 32 5/16" - 47 1/4"	*51 5/16" - 32 5/16" - 47 3/4"	*59 3/16" - 32 5/16" - 47 1/4"
	MM	*903 - 821 - 1200	*1000 - 821 - 1200	*1303 - 821 - 1200	*1503 - 821 - 1200
Crate Dimensions (L-D-H)	Inches	43 1/3" - 40 1/2" - 55 1/4"	46" - 40 1/2" - 55 1/4"	60" - 40 1/2" - 55 1/4"	66" - 40 1/2" - 55 1/4"
	MM	1100 - 1030 - 1400	1168 - 1030 - 1400	1500 - 1030 - 1400	1676 - 1030 - 1400
Refrigeration	Type	Ventilated	Ventilated	Ventilated	Ventilated
Refrigeration Display Area	Type	Deck	Deck	Deck	Deck
Operating Temperature	°F	55°F	55°F	55°F	55°F
Compressor	Nr./Type	Hermetic	Hermetic	Hermetic	Hermetic
Electric Supply	(V/Ph/Hz)	208-220/1/60	208-220/1/60	208-220/1/60	208-220/1/60
BTU'S @ +35°F Evap Temperature	BTU'S	1500	1700	2200	2600
Power Consumption	(W/A)	550/5.2	550/5.2	650/5.9	710/6.7
Defrost	Mode/Type	Air	Air	Air	Air
Humidity Control	Type	45-65%	45-65%	45-65%	45-65%
Climatic Class	°F/H.R.	75°F-55%RH	75°F-55%RH	75°F-55%RH	75°F-55%RH
Refrigerant Gas	Type	R404A / R452A	R404A / R452A	R404A / R452A	R404A / R452A
Pipe Size (Inches)	Suction, Liquid	3/8", 1/4"	3/8", 1/4"	3/8", 1/4"	3/8", 1/4"
Net Weights	Lbs	210	220	265	275
Crated Weights	Lbs	330	340	385	395

*DIMENSIONS ARE WITH POLISHED S/S SKIN SIDES

*Oscartek reserves the right to change, modify, discontinue, or change any features, sizes, or capacity on any model without prior notice.

OSCARTEK®
 512 South Airport Blvd., South San Francisco, CA 94080
 Tel: 650.342.2400 | Fax: 650.342.7400
 www.oscartek.com





Project Name: _____
 Item #: _____ Quantity: _____

GEM R4 CHOCOLATE

MODELS: GEM R4 C900, GEM R4 C1000, GEM R4 C1300, GEM R4 C1500, GEM R4 C1700, GEM R4 C2000, GEM R4 C2100, GEM R4 C2600, GEM R4 C3000, GEM R4 CA90SQ, GEM R4 CA90C, GEM R4 CA45

GEM R4 CHOCOLATE					
TECHNICAL FEATURES		MODELS			
		GEM R4 C1700	GEM R4 C2000	GEM R4 C2100	GEM R4 C2600
External Dimensions (L-D-H) Inches-MM	Inches MM	*67 1/16" - 32 5/16" - 47 1/4" *1703 - 821 - 1200	*78 7/8" - 32 5/16" - 47 1/4" *2003 - 821 - 1200	*82 13/16" - 32 5/16" - 47 1/4" *2103 - 821 - 1200	*102 1/2" - 32 5/16" - 47 1/4" *2603 - 821 - 1200
Crated Dimensions (L-D-H) Inches-MM	Inches MM	74 - 40 1/2" - 55 1/4" 1879 - 1030 - 1400	85" - 40 1/2" - 55 1/4" 2159 - 1030 - 1400	90 1/2" - 40 1/2" - 55 1/4" 2300 - 1030 - 1400	109" - 40 1/2" - 55 1/4" 2768 - 1030 - 1400
Refrigeration	Type	Ventilated	Ventilated	Ventilated	Ventilated
Refrigeration Display Area	Type	Deck	Deck	Deck	Deck
Operating Temperature	°F	55°F	55°F	55°F	55°F
Compressor	Nr./Type	Hermetic	Hermetic	Hermetic	Hermetic
Electric Supply	(V/Ph/Hz)	208-220/1/60	208-220/1/60	208-220/1/60	208-220/1/60
BTU'S @ +35°F Evap Temperature	BTU'S	2900	3300	3700	4200
Power Consumption	(W/A)	850/8.1	890/8.3	1150/10.9	1250/11.7
Defrost	Mode/Type	Air	Air	Air	Air
Humidity Control	Type	45-65%	45-65%	45-65%	45-65%
Climatic Class	°F/H.R.	75°F-55%RH	75°F-55%RH	75°F-55%RH	75°F-55%RH
Refrigerant Gas	Type	R404A / R452A	R404A / R452A	R404A / R452A	R404A / R452A
Pipe Size (Inches)	Suction, Liquid	1/2", 1/4"	1/2", 1/4"	1/2", 1/4"	5/8", 5/16"
Net Weights	Lbs	310	330	350	440
Crated Weights	Lbs	430	450	470	560

*DIMENSIONS ARE WITH POLISHED S/S SKIN SIDES

GEM R4 CHOCOLATE					
TECHNICAL FEATURES		MODELS			
		GEM R4 C3000	GEM R4 CA90SQ	GEM R4 CA90C	GEM R4 CA45
External Dimensions (L-D-H) Inches-MM	Inches MM	*118 1/8" - 32 5/16" - 47 1/4" *3003 - 821 - 1200	**51 1/14" - 32 5/16" - 47 1/4" *1302 - 821 - 1200	**78 1/8" - 32 5/16" - 47 1/4" *1984 - 823 - 1200	**50 11/16" - 32 5/16" - 47 1/4" *1288 - 821 - 1200
Crated Dimensions (L-D-H) Inches-MM	Inches MM	125" - 40 1/2" - 55 1/4" 3175 - 1030 - 1400	60" - 40 1/2" - 55 1/4" 1500 - 1030 - 1400	88" - 40 1/2" - 55 1/4" 2235 - 1030 - 1400	60" - 40 1/2" - 55 1/4" 1500 - 1030 - 1400
Refrigeration	Type	Ventilated	Ventilated	Ventilated	Ventilated
Refrigeration Display Area	Type	Deck	Deck	Deck	Deck
Operating Temperature	°F	55°F	55°F	55°F	55°F
Compressor	Nr./Type	Hermetic	Hermetic	Hermetic	Hermetic
Electric Supply	(V/Ph/Hz)	208-220/1/60	208-220/1/60	208-220/1/60	208-220/1/60
BTU'S @ +35°F Evap Temperature	BTU'S	5000	3900	3300	3900
Power Consumption	(W/A)	1450/13.9	1150/10.9	890/8.3	1150/10.9
Defrost	Mode/Type	Air	Air	Air	Air
Humidity Control	Type	45-65%	45-65%	45-65%	45-65%
Climatic Class	°F/H.R.	75°F-55%RH	75°F-55%RH	75°F-55%RH	75°F-55%RH
Refrigerant Gas	Type	R404A / R452A	R404A / R452A	R404A / R452A	R404A / R452A
Pipe Size (Inches)	Suction, Liquid	5/8", 5/16"	1/2", 1/4"	1/2", 1/4"	1/2", 1/4"
Net Weights	Lbs	490	410	350	410
Crated Weights	Lbs	610	530	470	530

*DIMENSIONS ARE WITH POLISHED S/S SKIN SIDES

**SEE PLAN VIEW FOR ADDITIONAL EXTERIOR DIMENSIONS

*Oscartek reserves the right to change, modify, discontinue, or change any features, sizes, or capacity on any model without prior notice.

OSCARTEK®
 512 South Airport Blvd., South San Francisco, CA 94080
 Tel: 650.342.2400 | Fax: 650.342.7400
 www.oscartek.com

