



Discover the Art of Display...

Project Name: _____
Item #: _____ Quantity: _____



GEM R4 COMBI

Neutral Top & Refrigerated Bottom Showcase

MODELS: GEM R4 COMBI 1000NT, GEM R4 COMBI 1250NT, GEM R4 COMBI 1500NT

Optional stone perimeter top with custom glass top height.
Optional incline front and sides.



Visit our website for more finishing options and RAL colors
www.oscartek.com

OPTIONAL GLASS TOP

R4UP – Lift up front top glass with shelf



STANDARD FEATURES

- Neutral top and refrigerated bottom
- Extra clear glass: front, top, sides glasses
- Glass shelf
- All tempered glass
- Diffused LED lighting 3000°K
- Sliding acrylic back doors
- High polished stainless steel interior
- Stainless steel lower interior foam tub
- Galvanized chassis structure
- Cases ship standard unfinished front and polished stainless steel skin sides

OPTIONS

- R4UP glass top – Lift up front top glass
- Work top perimeter (brushed s/s, corian, granite)
- Remote condensing unit
- Epoxy RAL color interior and exterior over stainless steel
- RAL color/custom plastic wood laminate exterior front and sides
- Unfinished panels to accept millwork by others
- Condensate heated pan
- Casters

*Oscartek reserves the right to change, modify, discontinue, or change any features, sizes, or capacity on any model without prior notice.

OSCARTEK®
512 South Airport Blvd., South San Francisco, CA 94080
Tel: 650.342.2400 | Fax: 650.342.7400
www.oscartek.com





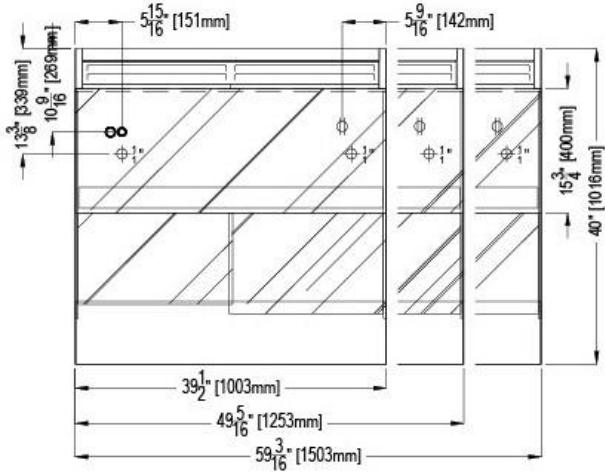
Discover the Art of Display...

Project Name: _____
 Item #: _____ Quantity: _____

GEM R4 COMBI NEUTRAL TOP & REFRIGERATED BOTTOM

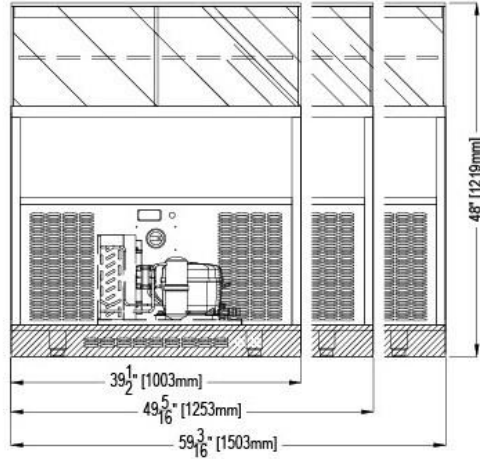
MODELS: GEM R4 COMBI 1000NT, GEM R4 COMBI 1250NT, GEM R4 COMBI 1500NT

GEM R4 COMBI PLAN VIEWS

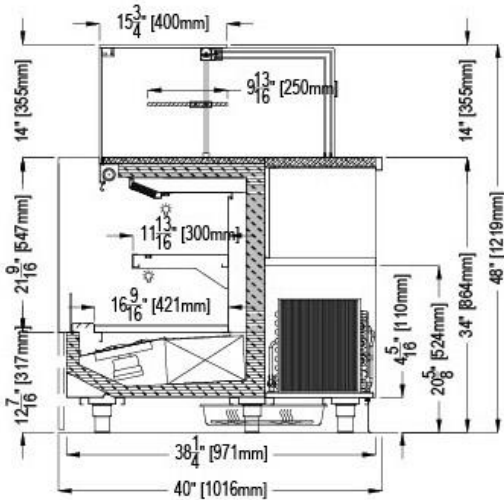


ELECTRICAL LEGEND	
∞	REFRIGERATION LINES
⌀ 1"	DRAIN
⌀	POWER

GEM R4 COMBI REAR ELEVATION (OPERATOR SIDE)



GEM R4 COMBI SECTION VIEW



*Oscartek reserves the right to change, modify, discontinue, or change any features, sizes, or capacity on any model without prior notice.

OSCARTEK®
 512 South Airport Blvd., South San Francisco, CA 94080
 Tel: 650.342.2400 | Fax: 650.342.7400
 www.oscartek.com





Project Name: _____
 Item #: _____ Quantity: _____

GEM R4 COMBI NEUTRAL TOP & REFRIGERATED BOTTOM

MODELS: GEM R4 COMBI 1000NT, GEM R4 COMBI 1250NT, GEM R4 COMBI 1500NT

GEM R4 COMBI - NEUTRAL TOP & REFRIGERATED BOTTOM				
TECHNICAL FEATURES		MODELS		
		GEM R4 COMBI 1000NT (MUOH34SL39C)	GEM R4 COMBI 1250NT (MUOH34SL49C)	GEM R4 COMBI 1500NT (MUOH34SL59C)
External Dimensions (L-D-H) Inches-MM	Inches MM	*39 1/2" - 38 15/16" - 48" *1003 - 989 - 1219	*49 5/16" - 38 15/16" - 48" *1253 - 989 - 1219	*59 3/16" - 38 15/16" - 48" *1503 - 989 - 1219
Crated Dimensions (L-D-H) Inches-MM	Inches MM	46" - 45" - 55" 1168 - 1143 - 1397	56" - 45" - 55" 1422 - 1143 - 1397	66" - 45" - 55" 1676 - 1143 - 1397
Refrigeration	Type	Fan Ventilated	Fan Ventilated	Fan Ventilated
Refrigeration Display Area	Type	Bottom Display	Bottom Display	Bottom Display
Operating Temperature	°F	39°F	39°F	39°F
Compressor	Nr./Type	1 / Hermetic	1 / Hermetic	1 / Hermetic
BTU'S @ +14°F Evap Temperature	BTU'S	4000	4500	5100
Electric Supply	(V/Ph/Hz)	208-220/1/60	208-220/1/60	208-220/1/60
Power Consumption	(W/A)	1350/6.8	1550/7.5	1750/8.8
Defrost	Mode/Type	Electric	Electric	Electric
Climatic Class	°F/H.R.	75°F-55%RH	75°F-55%RH	75°F-55%RH
Refrigerant Gas	Type	R404A / R452A	R404A / R452A	R404A / R452A
Pipe Size (Inches)	Suction, Liquid	5/8", 5/16"	5/8", 5/16"	5/8", 5/16"
Net Weights	Lbs	350	395	440
Crated Weights	Lbs	400	445	490

***DIMENSIONS ARE WITH POLISHED S/S SKIN SIDES**

*Oscartek reserves the right to change, modify, discontinue, or change any features, sizes, or capacity on any model without prior notice.

OSCARTEK®
 512 South Airport Blvd., South San Francisco, CA 94080
 Tel: 650.342.2400 | Fax: 650.342.7400
 www.oscartek.com

