

STANDARD FEATURES

- LED lighting system
- Extra clear glass upper structure
- Sliding glass back doors
- Stainless steel lower interior foam tub
- Galvanized chassis structure
- All tempered glass
- Cases ship standard unfinished

OPTIONS

- Narrow depth 25 1/2"D
- Matching Rosa Gelato
- Gem G1: sliding glass back doors on the operating side. Lift up top glass on the customer side
- Working top perimeter (brushed s/s, corian, black HPL, granite)
- S/s display trays for ice cream cakes
- Switch device from low temp. (-18°C) to positive temp. (+4°C)
- Stainless steel pans (4 Liter, 5 liter, & 8 liter)

- Dipper well
- Cone holder
- Remote condensing unit
- Casters
- Popsicle display tray (stainless steel & plastic)
- Plastic available in color options (see images below)



GEM R4 GELATO					
TECHNICAL FEATURES		MODELS			
		GEM R4 G1000	GEM R4 G1500	GEM R4 2000	GEM R4 G2000 Dual Zone
External Dimensions (L-D-H)	Inches	39 1/4" - 32 1/2" - 47 1/4"	59" - 32 1/2" - 47 1/4"	78 3/4" - 32 1/2" - 47 1/4"	78 3/4" - 32 1/2" - 47 1/4"
	Inches-MM	1000 - 823 - 1200	1500 - 823 - 1200	2000 - 823 - 1200	2000 - 823 - 1200
Crated Dimensions (L-D-H)	Inches	45" - 39 3/8" - 53 1/8"	67" - 39 3/8" - 53 1/8"	84" - 39 3/8" - 53 1/8"	84" - 39 3/8" - 53 1/8"
	Inches-MM	1150 - 1000 - 1350	1700 - 1000 - 1350	2150 - 1000 - 1350	2150 - 1000 - 1350
4 Liter Pan Capacity* 10 1/8" x 6 1/8" x 5 7/8" (258mm x 156mm x 150mm)	Pan Configuration	10	16	22	22 (12 +10)
5 Liter Pan Capacity* 14 3/16" x 6 1/2" x 4 3/4" (360mm x 165mm x 120mm)	Pan Configuration	7	11	16	7 7
8 Liter Pan Capacity* 14 3/16" x 9 13/16" x 4 3/4" (360mm x 250mm x 120mm)	Pan Configuration	4	6	10	N/A
Refrigeration	Type	Fan Ventilated	Fan Ventilated	Fan Ventilated	Fan Ventilated
Refrigeration Display Area	Type	Deck	Deck	Deck	Deck
Operating Temperature	°C / °F	-18°C / -0.4°F	-18°C / -0.4°F	-18°C / -0.4°F	(2) -18°C / -0.4°F
Compressor	Nr./Type	1 / Hermetic	1 / Hermetic	1 / Hermetic	2 / Hermetic
BTU'S @ -25°F Evap Temperature	BTU's	2100 BTU'S	3570 BTU'S	4550 BTU'S	6528 BTU'S
Electric Supply	(V/Ph/Hz)	230/1/50 (EU) 208-230/1/60 (USA)	230/1/50 (EU) 208-230/1/60 (USA)	230/1/50 (EU) 208-230/1/60 (USA)	(2) 230/1/50 (EU) 208-230/1/60 (USA)
Power Consumption	(W/A)	1500W / 7.5A	1720W / 11A	2050W / 10.5A	(2) 1720W / 11A
Defrost	Mode/Type	Hot Gas	Hot Gas	Hot Gas	Hot Gas
Climatic Class	N°°C/F°/H.R.	4/30/86/55%	4/30/86/55%	4/30/86/55%	4/30/86/55%
Refrigerant Gas	Type	R404A	R404A	R404A	R404A
Net Weights	Kg/Lb	165Kgs / 363Lbs	220Kgs / 484Lbs	274Kgs / 602Lbs	300Kgs / 660Lbs
Crated Weights	Kg/Lb	265Kgs / 583Lbs	340Kgs / 7481Lbs	420Kgs / 924Lbs	445Kgs / 979Lbs

* DIMENSIONS ARE WITHOUT SIDE PANELS

* PANS NOT INCLUDED

* Manufacturer reserves the right to change specifications without notice. Not responsible for error and omissions.



361-367 Beach Road, Burlingame, CA 94010
 Tel: 855.885.2400 | 650.342.2400 | Fax: 650.342.7400
 sales@oscartek.com | www.oscartek.com



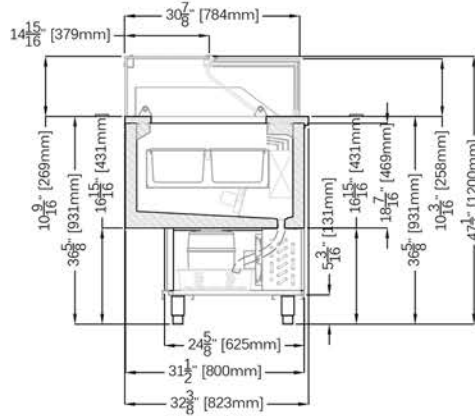
GEM R4

Gelato Showcase

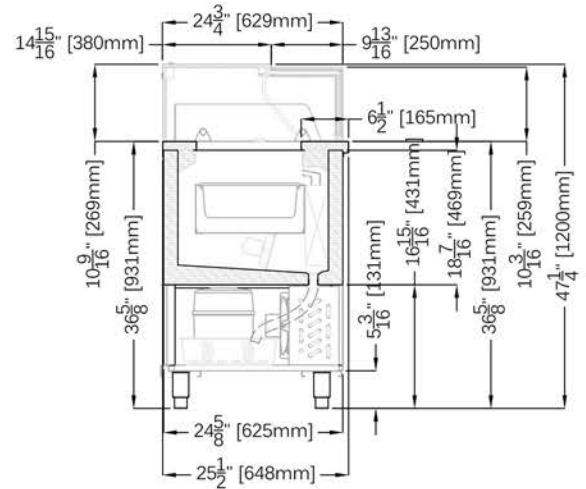


GEM R4 PHOTO SHOWN SLIDING GLASS (LEFT TO RIGHT) ON THE OPERATOR SIDE

GEM R4 STANDARD: 32 3/8"D

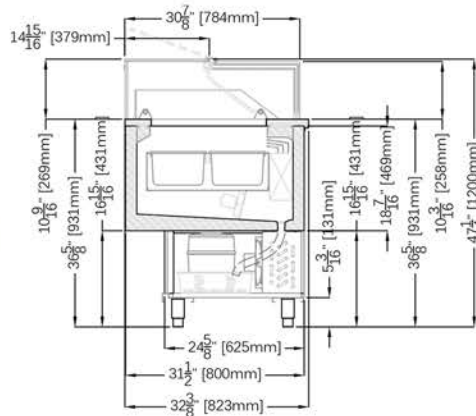


GEM R4 OPTIONAL NARROW DEPTH: 25 1/2"D

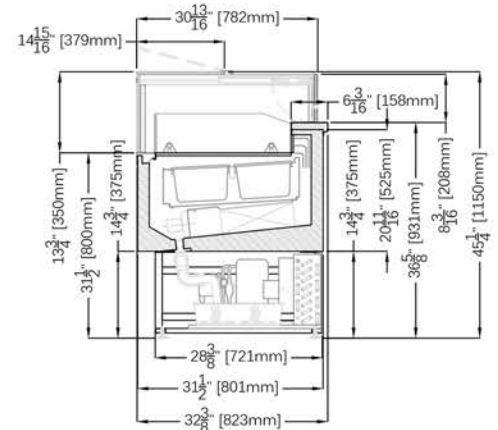


GEM G1 PHOTO SHOWN WITH FRONT LIFT UP TOP GLASS

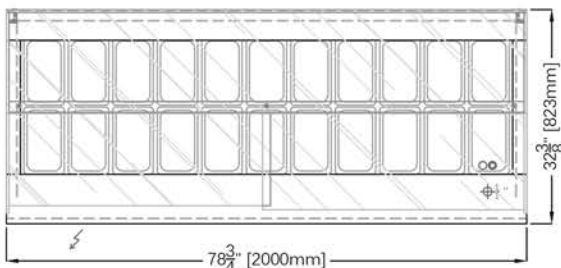
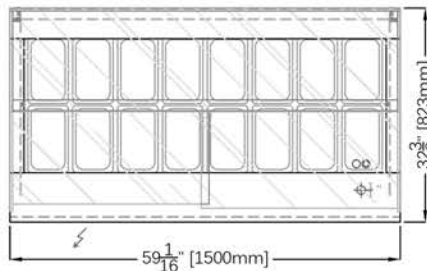
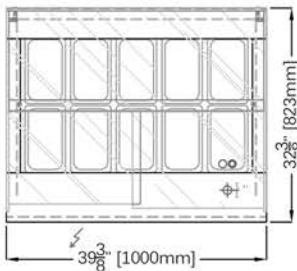
OPTIONAL: GEM G1 SLIDING & LIFT UP GLASS



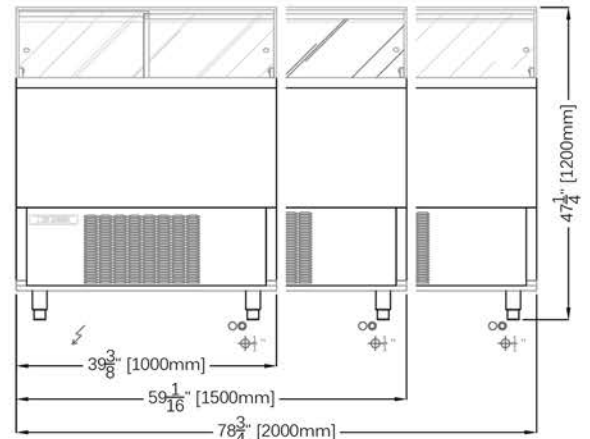
OPTIONAL: ROSA GELATO WITH INCLINE DECK



PLAN VIEWS



REAR ELEVATIONS (OPERATOR SIDE)



* Manufacturer reserves the right to change specifications without notice. Not responsible for error and omissions.



361-367 Beach Road, Burlingame, CA 94010
 Tel: 855.885.2400 | 650.342.2400 | Fax: 650.342.7400
 sales@oscartek.com | www.oscartek.com

