



Optional wood laminate front panel



Visit our website for more finishing options and RAL colors

[www.oscartek.com](http://www.oscartek.com)

**OPTIONAL GLASS TOPS**

**R4UP – 47 1/4”H & 53 1/8”H: Lift up front top glass**



**S2 – 47 1/4”H & 53 1/8”H: Tilt down front glass hinged**



# GEM R4 PRO Hot Showcase

**CS-DRY MODELS:** GEM R4 PRO CS1150, GEM R4 PRO CS1500, GEM R4 PRO CS2150

**CBM-BAIN MARIE MODELS:** GEM R4 PRO CBM1150, GEM R4 PRO CBM1500, GEM R4 PRO CBM2150

**STANDARD FEATURES**

- CS – dry hot plate
- CBM – bain mair hot wells
- Extra clear glass: front, top, sides glasses
- All tempered glass
- Heat lamp
- Stainless steel lower interior foam tub
- Galvanized chassis structure
- Cases ship standard unfinished front and polished stainless steel skin sides

**OPTIONS**

- Available height – 53 1/8”H
- R4UP glass top – Lift up front top glass
- S2 glass top – Tilt down front glass hinged
- Work top perimeter (brushed s/s, corian, granite)
- Epoxy RAL color interior and exterior over stainless steel
- RAL color/custom plastic wood laminate exterior front and sides
- Unfinished panels to accept millwork by others

\*Oscartek reserves the right to change, modify, discontinue, or change any features, sizes, or capacity on any model without prior notice.



Discover the Art of Display...

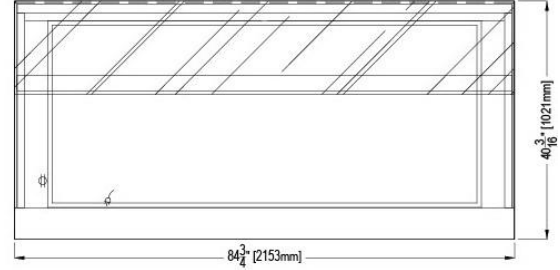
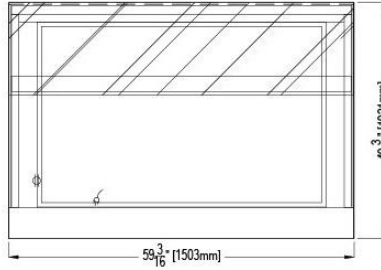
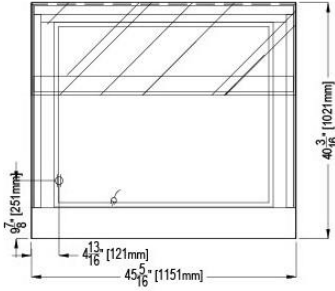
Project Name: \_\_\_\_\_  
 Item #: \_\_\_\_\_ Quantity: \_\_\_\_\_

## GEM R4 PRO HOT

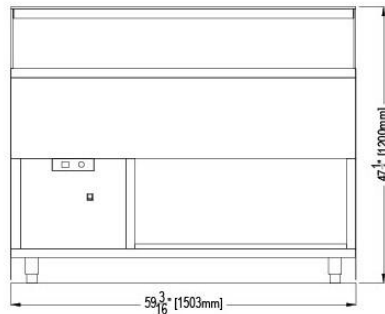
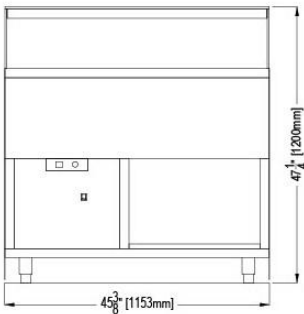
**CS-DRY MODELS:** GEM R4 PRO CS1150, GEM R4 PRO CS1500, GEM R4 PRO CS2150

**CBM-BAIN MARIE MODELS:** GEM R4 PRO CBM1150, GEM R4 PRO CBM1500, GEM R4 PRO CBM2150

### GEM R4 PRO HOT: CS-DRY PLAN VIEWS

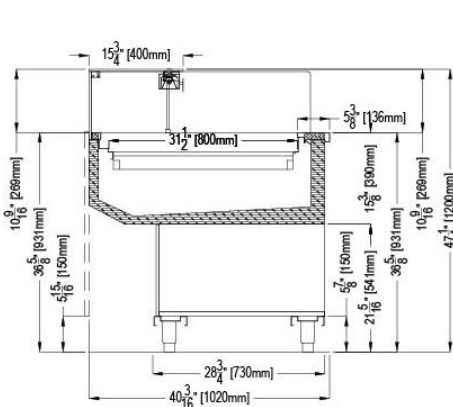


### GEM R4 PRO HOT: CS-DRY REAR ELEVATIONS (OPERATOR SIDE)

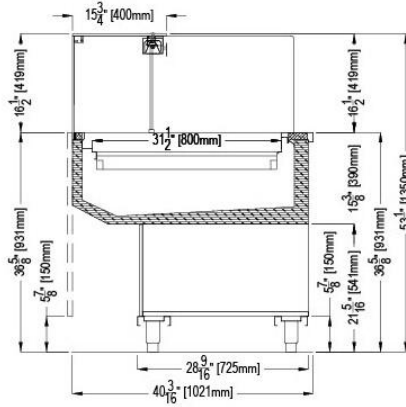


### GEM R4 PRO HOT: CS-DRY SECTION VIEWS

**STANDARD: GEM R4 PRO HOT  
 CS-DRY 47-1/4"H**



**OPTIONAL: GEM R4 PRO HOT CS-DRY  
 AVAILABLE IN 53-1/8"H**



ELECTRICAL LEGEND	
	POWER

\*Oscartek reserves the right to change, modify, discontinue, or change any features, sizes, or capacity on any model without prior notice.

OSCARTEK®  
 512 South Airport Blvd., South San Francisco, CA 94080  
 Tel: 650.342.2400 | Fax: 650.342.7400  
 www.oscartek.com





Discover the Art of Display...

Project Name: \_\_\_\_\_  
 Item #: \_\_\_\_\_ Quantity: \_\_\_\_\_

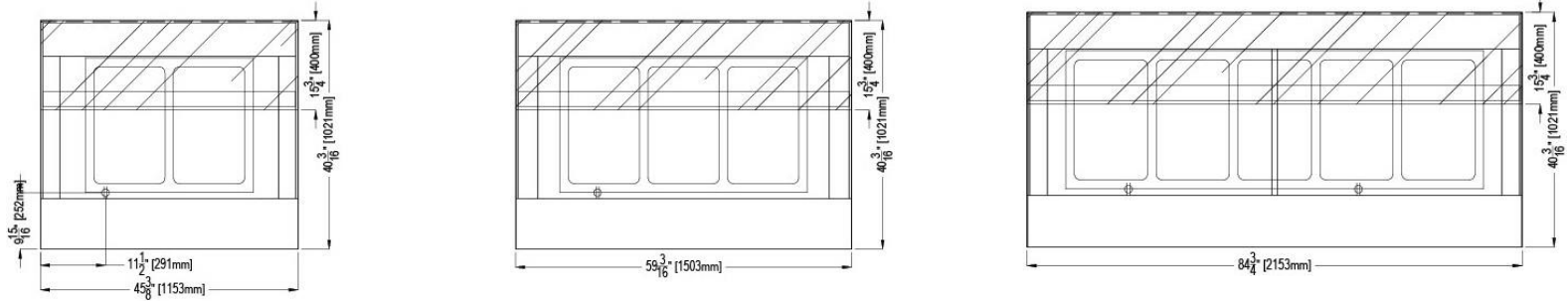
## GEM R4 PRO HOT

CS-DRY MODELS: GEM R4 PRO CS1150, GEM R4 PRO CS1500, GEM R4 PRO CS2150

CBM-BAIN MARIE MODELS: GEM R4 PRO CBM1150, GEM R4 PRO CBM1500, GEM R4 PRO CBM2150

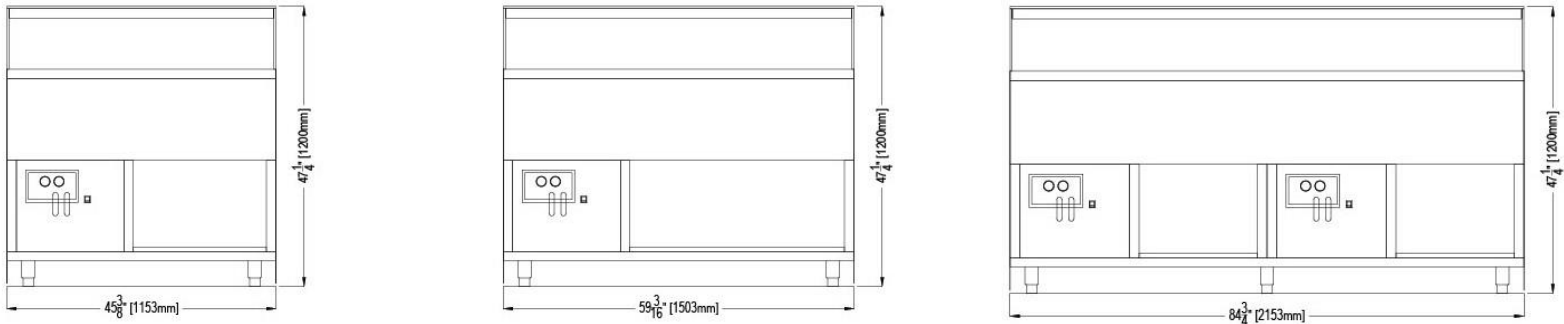
### GEM R4 PRO HOT: CBM-BAIN MARIE

#### PLAN VIEWS



### GEM R4 PRO HOT: CBM-BAIN MARIE

#### REAR ELEVATIONS (OPERATOR SIDE)



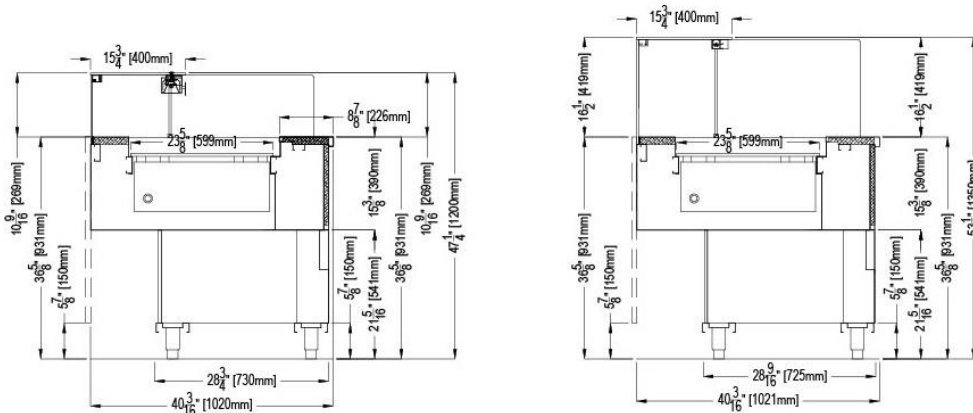
### GEM R4 PRO HOT: CBM-BAIN MARIE

#### SECTION VIEWS

ELECTRICAL LEGEND	
	POWER

STANDARD: GEM R4 PRO HOT  
 CBM-BAIN MARIE 47-1/4"H

OPTIONAL: GEM R4 PRO HOT CBM-BAIN MARIE  
 AVAILABLE IN 53-1/8"H



\*Oscartek reserves the right to change, modify, discontinue, or change any features, sizes, or capacity on any model without prior notice.

OSCARTEK®  
 512 South Airport Blvd., South San Francisco, CA 94080  
 Tel: 650.342.2400 | Fax: 650.342.7400  
 www.oscartek.com





Discover the Art of Display...

Project Name: \_\_\_\_\_  
 Item #: \_\_\_\_\_ Quantity: \_\_\_\_\_

## GEM R4 PRO HOT

**CS-DRY MODELS:** GEM R4 PRO CS1150, GEM R4 PRO CS1500, GEM R4 PRO CS2150

**CBM-BAIN MARIE MODELS:** GEM R4 PRO CBM1150, GEM R4 PRO CBM1500, GEM R4 PRO CBM2150

GEM R4 PRO HOT (CS-DRY)				
TECHNICAL FEATURES		MODELS		
		GEM R4 PRO CS1150 (GEMPCSR44512)	GEM R4 PRO CS1500 (GEMPCSR45912)	GEM R4 PRO CS2150 (GEMPCSR48512)
External Dimensions (L-D-H) Inches-MM	Inches MM	*45 3/8" - 40 3/16" - 47 1/4" *1153 - 1021 - 1200	*59 3/16" - 40 3/16" - 47 1/4" *1503 - 1021 - 1200	*84 3/4" - 40 3/16" - 47 1/4" *2153 - 1021 - 1200
Crated Dimensions (L-D-H) Inches-MM	Inches MM	52" - 47" - 55 1/4" 1320 - 1193 - 1400	66" - 47" - 55 1/4" 1676 - 1193 - 1400	91" - 47" - 55 1/4" 2311 - 1193 - 1400
Operating Temperature	°F	177°F	177°F	177°F
Electric Supply**	(V/PH/Hz)	(2) 208-220/1/60	(2) 208-220/1/60	(2) 208-220/1/60
Power Amps Direct Connection**	HEAT LAMP (V/W/A) HOT PLATE (V/A)	208-220/620/3.5 120/6.7 - NEMA 5-15P	208-220/900/4.1 120/9.3 - NEMA 5-15P	208-220/1200/6.2 120/12 - NEMA 5-15P
Climatic Class	°F/H.R.	75°F-55%RH	75°F-55%RH	75°F-55%RH
Net Weights	Lbs	220	260	360
Crated Weights	Lbs	340	380	480
*DIMENSIONS ARE WITH POLISHED S/S SKIN SIDES			**REQUIRES 2 INDEPENDENT POWER SUPPLY	

GEM R4 PRO HOT (CBM- BAIN MARIE)				
TECHNICAL FEATURES		MODELS		
		GEM R4 PRO CBM1150 (GEMPCBMR44512)	GEM R4 PRO CBM1500 (GEMPCBMR45912)	GEM R4 PRO CBM2150 (GEMPCBMR48512)
External Dimensions (L-D-H) Inches-MM	Inches MM	*45 1/4" - 32 3/8" - 47 1/4" *1150 - 821 - 1200	*59 1/16" - 32 3/8" - 47 1/4" *1500 - 821 - 1200	*84 5/8" - 40 3/16" - 47 1/4" *2150 - 1020 - 1200
Crated Dimensions (L-D-H) Inches-MM	Inches MM	52" - 40 1/2" - 55 1/4" 1320 - 1030 - 1400	66" - 40 1/2" - 55 1/4" 1676 - 1030 - 1400	91" - 47" - 55 1/4" 2311 - 1193 - 1400
Operating Temperature	°F	177°F	177°F	177°F
Electric Supply**	(V/PH/Hz)	(2) 208-220/1/60	(2) 208-220/1/60	(2) 208-220/1/60
Power Amps Direct Connection**	HEAT LAMP (V/W/A) BAIN MARIE (V/A)	208-220/1530/7.2 208-220/11.6	208-220/2030/9.5 208-220/17.4	208-220/3100/14.5 208-220/20.1
Climatic Class	°F/H.R.	75°F-55%RH	75°F-55%RH	75°F-55%RH
Net Weights	Lbs	230	290	380
Crated Weights	Lbs	350	410	500
*DIMENSIONS ARE WITH POLISHED S/S SKIN SIDES			**REQUIRES 2 INDEPENDENT POWER SUPPLY	
NOTE: CBM-BAIN MARIE: DRAIN SIZE FOR INDIVIDUAL WELL 3/4"				

\*Oscartek reserves the right to change, modify, discontinue, or change any features, sizes, or capacity on any model without prior notice.

OSCARTEK®  
 512 South Airport Blvd., South San Francisco, CA 94080  
 Tel: 650.342.2400 | Fax: 650.342.7400  
 www.oscartek.com

