



Discover the Art of Display...

Project Name: \_\_\_\_\_

Item #: \_\_\_\_\_ Quantity: \_\_\_\_\_



# GEM R4 PRO Neutral Showcase

**MODELS:** GEM R4 PRO N900, GEM R4 PRO N1000, GEM R4 PRO N1300, GEM R4 PRO N1500, GEM R4 PRO N1700, GEM R4 PRO N2000, GEM R4 PRO N2100, GEM R4 PRO N2600, GEM R4 PRO N3000, GEM R4 PRO NA90SQ, GEM R4 PRO NA90C

Custom front panel by others



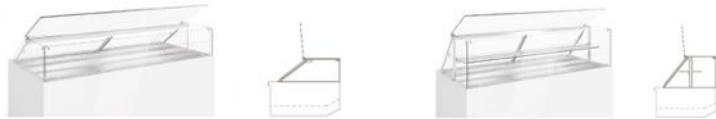
Visit our website for more finishing options and RAL colors  
[www.oscartek.com](http://www.oscartek.com)

## STANDARD FEATURES

- Extra clear glass: front, top, sides glasses
- All tempered glass
- Diffused LED lighting 3000°K
- Stainless steel lower interior foam tub
- Galvanized chassis structure
- Cases ship standard unfinished front and polished stainless steel skin sides

## OPTIONAL GLASS TOPS

**R4UP – 47 1/4”H:** Lift up front top glass without shelf  
**R4UP – 53 1/8”H:** Lift up front top glass with non-refrigerated shelf



**S2 – 47 1/4”H:** Tilt down front glass hinged without shelf  
**S2 – 53 1/8”H:** Tilt down front glass hinged with non-refrigerated shelf



## OPTIONS

- Available height – 53 1/8”H with (1) shelf
- R4UP glass top – Lift up front top glass
- S2 glass top – Tilt down front glass hinged
- Work top perimeter (brushed s/s, corian, granite)
- Stainless steel step shelf
- Epoxy RAL color interior and exterior over stainless steel
- RAL color/custom plastic wood laminate exterior front and sides
- Unfinished panels to accept millwork by others
- Casters

\*Oscartek reserves the right to change, modify, discontinue, or change any features, sizes, or capacity on any model without prior notice.

OSCARTEK®  
512 South Airport Blvd., South San Francisco, CA 94080  
Tel: 650.342.2400 | Fax: 650.342.7400  
[www.oscartek.com](http://www.oscartek.com)

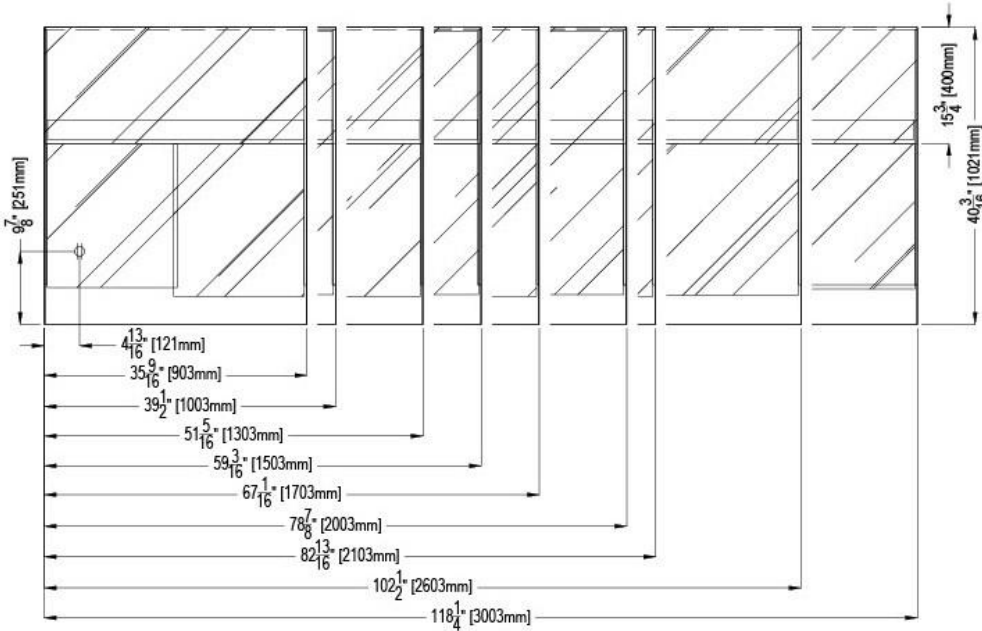


## GEM R4 PRO NEUTRAL

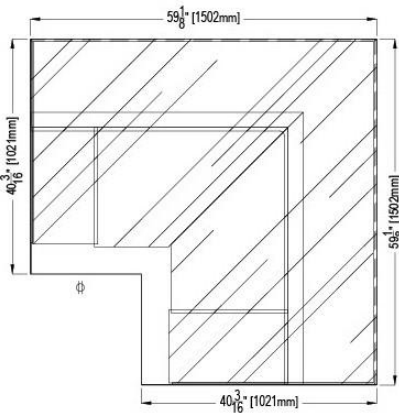
**MODELS:** GEM R4 PRO N900, GEM R4 PRO N1000, GEM R4 PRO N1300, GEM R4 PRO N1500, GEM R4 PRO N1700, GEM R4 PRO N2000, GEM R4 PRO N2100, GEM R4 PRO N2600, GEM R4 PRO N3000, GEM R4 PRO NA90SQ, GEM R4 PRO NA90C

### STANDARD: GEM R4 PRO NEUTRAL PLAN VIEWS

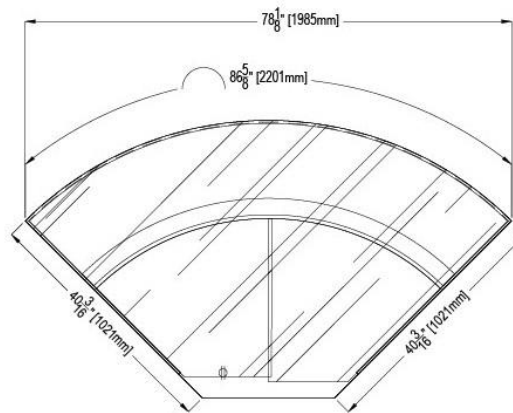
GEM R4 PRO NEUTRAL LINEAR MODELS



GEM R4 PRO NA90SQ



GEM R4 PRO NA90C



**ELECTRICAL LEGEND**

$\phi$  POWER

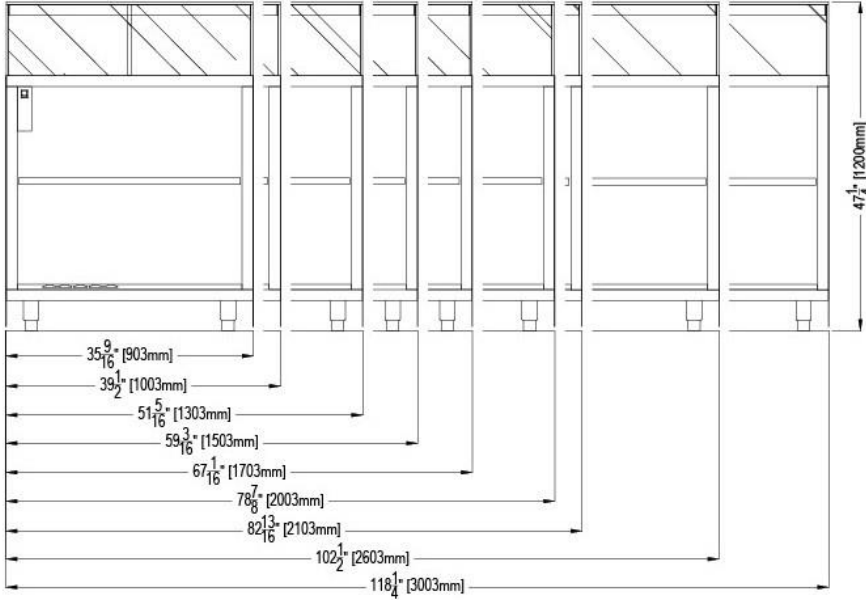
\*Oscartek reserves the right to change, modify, discontinue, or change any features, sizes, or capacity on any model without prior notice.

## GEM R4 PRO NEUTRAL

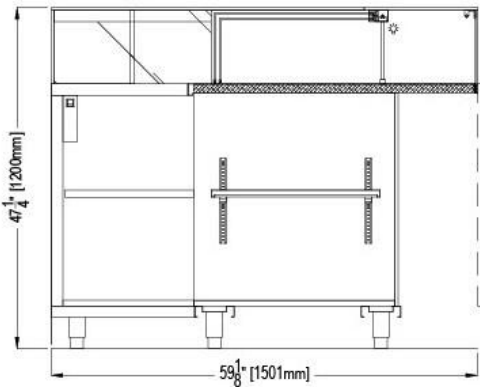
**MODELS:** GEM R4 PRO N900, GEM R4 PRO N1000, GEM R4 PRO N1300, GEM R4 PRO N1500, GEM R4 PRO N1700, GEM R4 PRO N2000, GEM R4 PRO N2100, GEM R4 PRO N2600, GEM R4 PRO N3000, GEM R4 PRO NA90SQ, GEM R4 PRO NA90C

### STANDARD: GEM R4 PRO NEUTRAL REAR ELEVATIONS (OPERATOR SIDE)

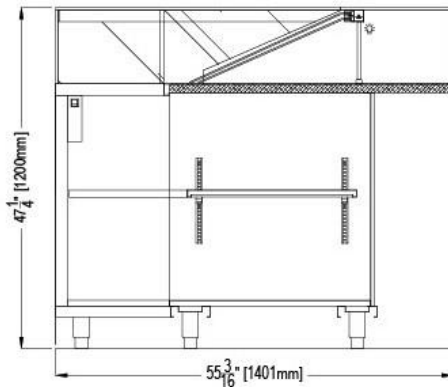
#### GEM R4 PRO NEURTAL LINEAR MODELS



#### GEM R4 PRO NA90SQ



#### GEM R4 PRO NA90C



\*Oscartek reserves the right to change, modify, discontinue, or change any features, sizes, or capacity on any model without prior notice.



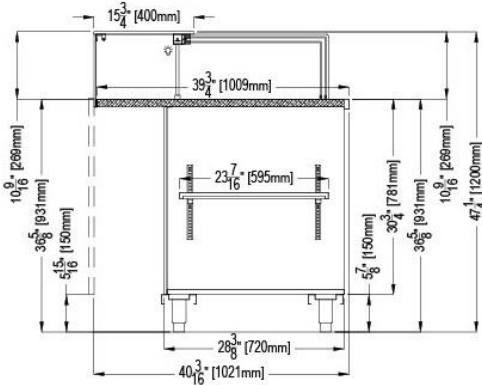
Project Name: \_\_\_\_\_  
 Item #: \_\_\_\_\_ Quantity: \_\_\_\_\_

## GEM R4 PRO NEUTRAL

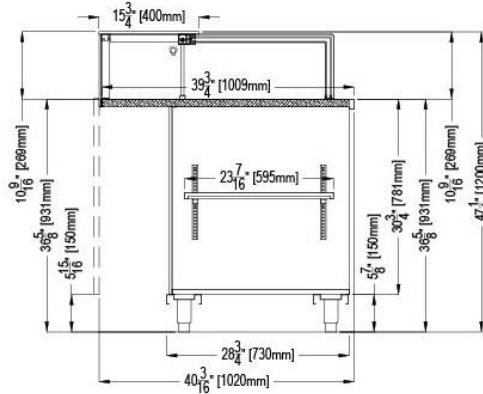
MODELS: GEM R4 PRO N900, GEM R4 PRO N1000, GEM R4 PRO N1300, GEM R4 PRO N1500, GEM R4 PRO N1700, GEM R4 PRO N2000, GEM R4 PRO N2100, GEM R4 PRO N2600, GEM R4 PRO N3000, GEM R4 PRO NA90SQ, GEM R4 PRO NA90C

### STANDARD: GEM R4 PRO NEUTRAL SECTION VIEWS

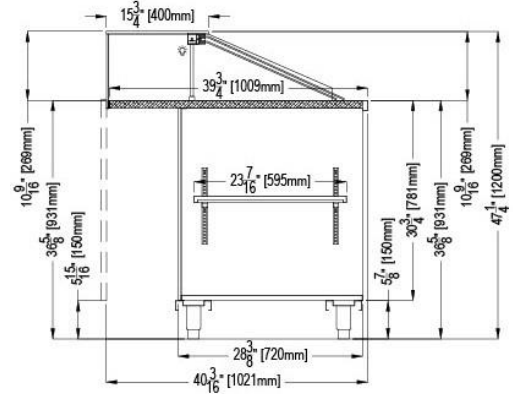
ALL GEM R4 PRO NEUTRAL LINEAR MODELS + NA90SQ (EXCEPT FOR GEM R4 N3000)



GEM R4 PRO N3000

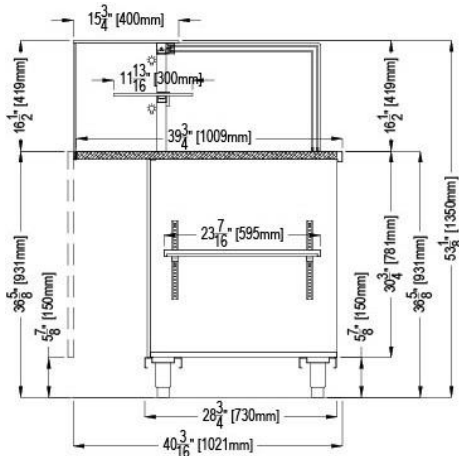


GEM R4 PRO NA90C

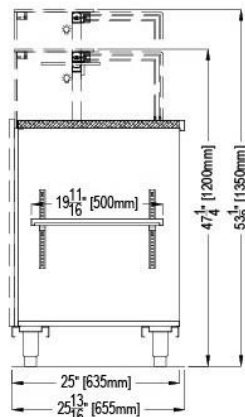


### OPTIONAL: GEM R4 PRO NEUTRAL SECTION VIEWS

GEM R4 PRO NEUTRAL AVAILABLE IN 53-18" H WITH SHELF



GEM R4 NEUTRAL NARROW AVAILABLE IN 47-1/4" H & 53-1/8" H



\*Oscartek reserves the right to change, modify, discontinue, or change any features, sizes, or capacity on any model without prior notice.

OSCARTEK®  
 512 South Airport Blvd., South San Francisco, CA 94080  
 Tel: 650.342.2400 | Fax: 650.342.7400  
 www.oscartek.com





Project Name: \_\_\_\_\_  
 Item #: \_\_\_\_\_ Quantity: \_\_\_\_\_

## GEM R4 PRO NEUTRAL

**MODELS:** GEM R4 PRO N900, GEM R4 PRO N1000, GEM R4 PRO N1300, GEM R4 PRO N1500, GEM R4 PRO N1700, GEM R4 PRO N2000, GEM R4 PRO N2100, GEM R4 PRO N2600, GEM R4 PRO N3000, GEM R4 PRO NA90SQ, GEM R4 PRO NA90C

GEM R4 PRO NEUTRAL					
TECHNICAL FEATURES		MODELS			
		GEM R4 PRO N900	GEM R4 PRO N1000 (GEMPNT43912)	GEM R4 PRO N1300	GEM R4 PRO N1500 (GEMPNT45912)
External Dimensions (L-D-H) Inches-MM	Inches MM	*35 9/16" - 40 3/16" - 47 1/4" *903 - 1021- 1200	*39 1/2" - 40 3/16" - 47 1/4" *1003 - 1021 - 1200	*51 5/16" - 40 3/16" - 47 1/4" *1303 - 1021 - 1200	*59 3/16" - 40 3/16" - 47 1/4" *1503 - 1021 - 1200
Crated Dimensions (L-D-H) Inches-MM	Inches MM	43 1/3" - 47" - 55 1/4" 1100 - 1193 - 1400	46" - 47" - 55 1/4" 1168- 1193 - 1400	60" - 47" - 55 1/4" 1500 - 1193- 1400	66" - 47" - 55 1/4" 1676 - 1193 - 1400
Operating Temperature	°F	Ambient	Ambient	Ambient	Ambient
Electric Supply	(V/Ph/Hz)	115/1/60	115/1/60	115/1/60	115/1/60
Power Consumption	(W/A)	20/0.2	30/0.3	40/0.4	50/0.5
Net Weights	Lbs	160	180	220	240
Crated Weights	Lbs	270	300	340	360

\*DIMENSIONS ARE WITH POLISHED S/S SKIN SIDES

GEM R4 PRO NEUTRAL					
TECHNICAL FEATURES		MODELS			
		GEM R4 PRO N1700	GEM R4 PRO N2000 (GEMPNT47912)	GEM R4 PRO N2100	GEM R4 PRO N2600
External Dimensions (L-D-H) Inches-MM	Inches MM	*67 1/6" - 40 3/16" - 47 1/4" *1703 - 1020 - 1200	*78 7/8" - 40 3/16" - 47 1/4" *2003 - 1020 - 1200	*82 13/16" - 40 3/16" - 47 1/4" *2103 - 1020 - 1200	*102 1/2" - 40 3/16" - 47 1/4" *2603 - 1020 - 1200
Crated Dimensions (L-D-H) Inches-MM	Inches MM	74" - 47" - 55 1/4" 1879 - 1193 - 1400	85" - 47" - 55 1/4" 2159 - 1193 - 1400	90 1/2" - 47" - 55 1/4" 2300 - 1193 - 1400	109" - 47" - 55 1/4" 2768 - 1193 - 1400
Operating Temperature	°F	Ambient	Ambient	Ambient	Ambient
Electric Supply	(V/Ph/Hz)	115/1/60	115/1/60	115/1/60	115/1/60
Power Consumption	(W/A)	50/0.5	60/0.6	80/0.8	100/1.1
Net Weights	Lbs	310	360	385	445
Crated Weights	Lbs	430	480	505	565

\*DIMENSIONS ARE WITH POLISHED S/S SKIN SIDES

GEM R4 PRO NEUTRAL				
TECHNICAL FEATURES		MODELS		
		GEM R4 PRO N3000	GEM R4 PRO NA90SQ (GEMPNT4AP9012)	GEM R4 PRO NA90C
External Dimensions (L-D-H) Inches-MM	Inches MM	*118 1/4" - 40 3/16" - 47 1/4" *3003 - 1020 - 1200	**59 1/8" - 40 3/16" - 47 1/4" *1503 - 1020 - 1200	**78 1/8" - 40 3/16" - 47 1/4" *1984 - 1020 - 1200
Crated Dimensions (L-D-H) Inches-MM	Inches MM	125" - 47" - 55 1/4" 3175 - 1193 - 1400	66" - 47" - 55 1/4" 1676 - 1193 - 1400	88" - 47" - 55 1/4" 2235 - 1193 - 1400
Operating Temperature	°F	Ambient	Ambient	Ambient
Electric Supply	(V/Ph/Hz)	115/1/60	115/1/60	115/1/60
Power Consumption	(W/A)	120/1.2	60/0.6	40/0.4
Net Weights	Lbs	495	350	310
Crated Weights	Lbs	615	470	430

\*DIMENSIONS ARE WITH POLISHED S/S SKIN SIDES

\*\*SEE PLAN VIEW FOR ADDITIONAL EXTERIOR DIMENSIONS

\*Oscartek reserves the right to change, modify, discontinue, or change any features, sizes, or capacity on any model without prior notice.

OSCARTEK®  
 512 South Airport Blvd., South San Francisco, CA 94080  
 Tel: 650.342.2400 | Fax: 650.342.7400  
 www.oscartek.com

