

# Gem S3

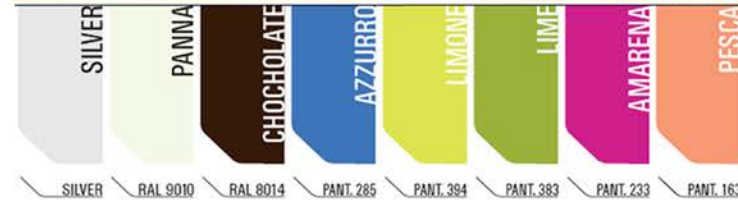
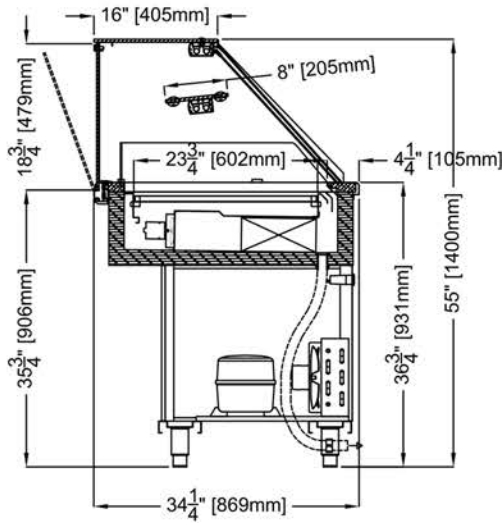
## Captivating display



True to it's name... Walk into this state of the art display... All tempered glass construction including the access drawers, made to display your finest food items. LED lighting is standard.



*Discover the Art of Display...*



## STANDARD FEATURES

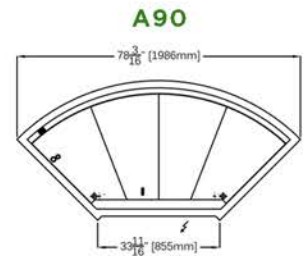
- LED lighting system
- Extra clear glass upper structure
- Sliding plexiglass doors
- Stainless steel lower interior foam tub
- Galvanized chassis structure
- All tempered glass
- Cases ship standard unfinished

## OPTIONS

- Cold storage
- Remote condensing unit
- Casters
- RAL color/laminate front and side panels
- Available in matching Gelato case



PHOTO SHOWN MATCHING GELATO



GEM S3 DELI/PASTRY							
TECHNICAL FEATURES		MODELS					
		GEM S3 DP1000	GEM S3 DP1300	GEM S3 DP1500	GEM S3 DP1700	GEM S3 DP2000	GEM S3 DPA90
External Dimensions (L-D-H)	Inches	39 1/4" - 34 1/4" - 55"	51 1/4" - 34 1/4" - 55"	59" - 34 1/4" - 55"	67" - 34 1/4" - 55"	78 3/4" - 34 1/4" - 55"	78 3/16" - 34 1/4" - 55"
	Inches-MM	1000 - 869 - 1400	1300 - 869 - 1400	1500 - 869 - 1400	1700 - 869 - 1400	2000 - 869 - 1400	1986 - 869 - 1400
Crated Dimensions (L-D-H)	Inches	45" - 40" - 61"	59" - 40" - 61"	67" - 40" - 61"	74 3/4" - 40" - 61"	84" - 40" - 61"	84" - 40" - 61"
	Inches-MM	1150 - 1016 - 1549	1500 - 1016 - 1549	1700 - 1016 - 1549	1900 - 1016 - 1549	2150 - 1016 - 1549	2150 - 1016 - 1549
Refrigeration	Type	Ventilated	Ventilated	Ventilated	Ventilated	Ventilated	Ventilated
Refrigeration Display Area	Type	Deck	Deck	Deck	Deck	Deck	Deck
Operating Temperature	°F	40°F	40°F	40°F	40°F	40°F	40°F
Compressor	Nr./Type	Hermetic	Hermetic	Hermetic	Hermetic	Hermetic	Hermetic
BTU'S @ +14°F Evap	BTU'S	1900 BTU'S	2400 BTU'S	3600 BTU'S	3800 BTU'S	3100 BTU'S	3100 BTU'S
Electric Supply	(V/Ph/Hz)	120/1/60	120/1/60	120/1/60	120/1/60	120/1/60	120/1/60
Power Consumption	(A)	8A	10A	11A	12A	14A	13A
Defrost	Mode/Type	Air	Air	Air	Air	Air	Air
Refrigerant Gas	Type	R404A	R404A	R404A	R404A	R404A	R404A
Net Weights	Kg/Lb	120Kgs / 264Lbs	135Kgs / 298Lbs	158Kgs / 348Lbs	187Kgs / 412Lbs	202Kgs / 445Lbs	151Kgs / 333Lbs
Crated Weights	Kg/Lb	150Kgs / 330Lbs	165Kgs / 364Lbs	180Kgs / 388Lbs	217Kgs / 478Lbs	235Kgs / 518Lbs	200Kgs / 420Lbs

\* Dimensions are without side panels



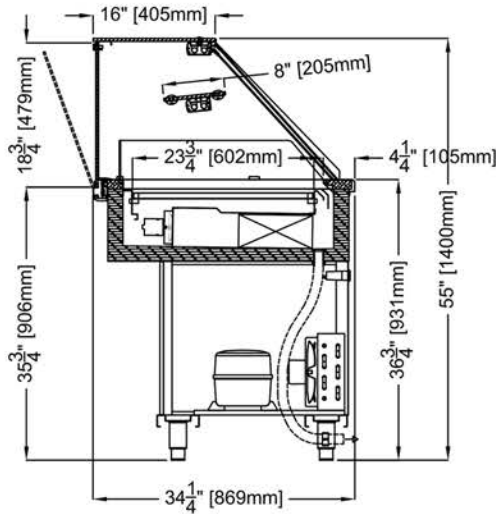
361-367 Beach Road, Burlingame, CA 94010  
 Tel: 855.885.2400 | 650.342.2400 | Fax: 650.342.7400  
 sales@oscartek.com | www.oscartek.com





# GEM S3

# Chocolate Showcase



## STANDARD FEATURES

- LED lighting system
- Extra clear glass upper structure
- Sliding plexiglass doors
- Stainless steel lower interior foam tub
- Galvanized chassis structure
- All tempered glass
- Humidity control
- Cases ship standard unfinished

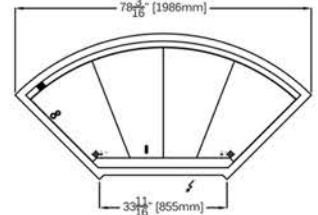
## OPTIONS

- Remote condensing unit
- Casters
- RAL color/laminate front and side panels
- Available in matching Gelato case



PHOTO SHOWN MATCHING GELATO

## A90

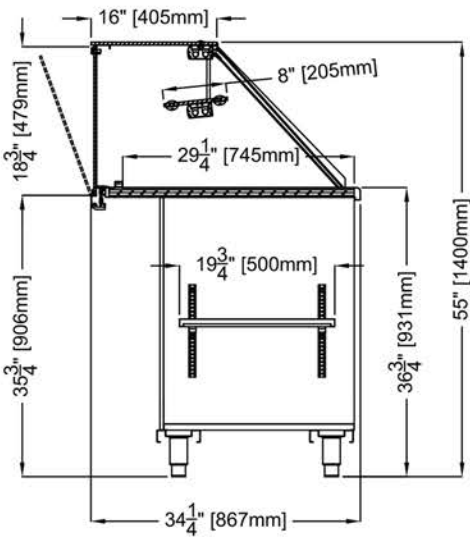


GEM S3 CHOCOLATE							
TECHNICAL FEATURES		MODELS					
		GEM S3 C1000	GEM S3 C1300	GEM S3 C1500	GEM S3 C1700	GEM S3 C2000	GEM S3 CA90
External Dimensions (L-D-H)	Inches	39 1/4" - 34 1/4" - 55"	51 1/4" - 34 1/4" - 55"	59" - 34 1/4" - 55"	67" - 34 1/4" - 55"	78 3/4" - 34 1/4" - 55"	78 3/16" - 34 1/4" - 55"
	Inches-MM	1000 - 869 - 1400	1300 - 869 - 1400	1500 - 869 - 1400	1700 - 869 - 1400	2000 - 869 - 1400	1986 - 869 - 1400
Crated Dimensions (L-D-H)	Inches	45" - 40" - 61"	59" - 40" - 61"	67" - 40" - 61"	74 3/4" - 40" - 61"	84" - 40" - 61"	84" - 40" - 61"
	Inches-MM	1150 - 1016 - 1549	1500 - 1016 - 1549	1700 - 1016 - 1549	1900 - 1016 - 1549	2150 - 1016 - 1549	2150 - 1016 - 1549
Humidity Control	Type	35-70%	35-70%	35-70%	35-70%	35-70%	35-70%
Refrigeration	Type	Ventilated	Ventilated	Ventilated	Ventilated	Ventilated	Ventilated
Refrigeration Display Area	Type	Deck	Deck	Deck	Deck	Deck	Deck
Operating Temperature	°F	55°F	55°F	55°F	55°F	55°F	55°F
Compressor	Nr./Type	Hermetic	Hermetic	Hermetic	Hermetic	Hermetic	Hermetic
BTU's @ +35°F Evap Temperature	BTU'S	1900 BTU'S	2200 BTU'S	2600 BTU'S	2800 BTU'S	2800 BTU'S	2800 BTU'S
Electric Supply	(V/Ph/Hz)	220/1/60	220/1/60	220/1/60	220/1/60	220/1/60	220/1/60
Power Consumption	(A)	10A	12A	13A	14A	16A	16A
Defrost	Mode/Type	Air	Air	Air	Air	Air	Air
Humidity Control	---	Yes	Yes	Yes	Yes	Yes	Yes
Refrigerant Gas	Type	R404A	R404A	R404A	R404A	R404A	R404A
Net Weights	Kg/Lb	122Kgs / 268Lbs	136Kgs / 200Lbs	160Kgs / 352Lbs	188Kgs / 414Lbs	203Kgs / 447Lbs	152Kgs / 334Lbs
Crated Weights	Kg/Lb	152Kgs / 334Lbs	166Kgs / 366Lbs	182Kgs / 400Lbs	218Kgs / 480Lbs	236Kgs / 520Lbs	210Kgs / 430Lbs

\* Dimensions are without side panels

361-367 Beach Road, Burlingame, CA 94010  
 Tel: 855.885.2400 | 650.342.2400 | Fax: 650.342.7400  
 sales@oscartek.com | www.oscartek.com





## STANDARD FEATURES

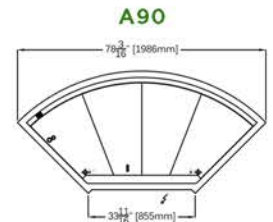
- LED lighting system
- Extra clear glass upper structure
- Sliding plexiglass doors
- Stainless steel lower interior foam tub
- Galvanized chassis structure
- All tempered glass
- Cases ship standard unfinished

## OPTIONS

- Remote condensing unit
- Casters
- RAL color/laminate front and side panels
- Available in matching Gelato case



PHOTO SHOWN MATCHING GELATO



GEM S3 NEUTRAL					
TECHNICAL FEATURES		MODELS			
		GEM S3 N1000	GEM S3 N1500	GEM S3 N2000	GEM S3 NA90
External Dimensions (L-D-H)	Inches	39 1/4" - 34 1/4" - 55"	59" - 34 1/4" - 55"	78 3/4" - 34 1/4" - 55"	78 3/16" - 34 1/4" - 55"
	MM	1000 - 869 - 1400	1500 - 869 - 1400	2000 - 869 - 1400	1986 - 869 - 1400
Crated Dimensions (L-D-H)	Inches	45" - 40" - 61"	67" - 40" - 61"	84" - 40" - 61"	84" - 40" - 61"
	MM	1150 - 1016 - 1549	1700 - 1016 - 1549	2150 - 1016 - 1549	2150 - 1016 - 1549
Operating Temperature	°F	Ambient	Ambient	Ambient	Ambient
Electric Supply	(V/Ph/Hz)	120/1/60	120/1/60	120/1/60	120/1/60
Power Consumption	(A)	3A	4A	6A	6A
Net Weights	Kg/Lb	105Kgs / 210Lbs	133Kgs / 293Lbs	147Kgs / 324Lbs	125Kgs / 275Lbs
Crated Weights	Kg/Lb	125Kgs / 254Lbs	155Kgs / 340Lbs	164Kgs / 360Lbs	135Kgs / 285Lbs

\* Dimensions are without side panels

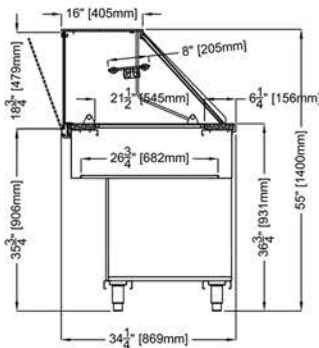


361-367 Beach Road, Burlingame, CA 94010  
 Tel: 855.885.2400 | 650.342.2400 | Fax: 650.342.7400  
 sales@oscartek.com | www.oscartek.com

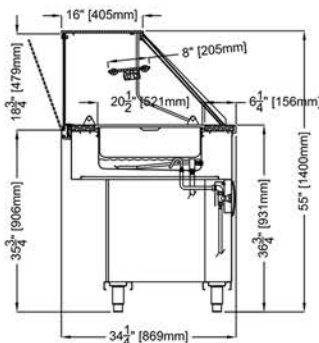




## CS (DRY)



## CBM (BAIN MARIE)



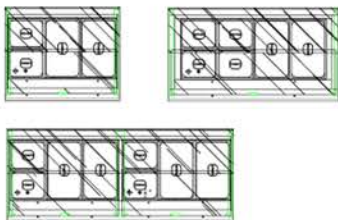
### STANDARD FEATURES

- LED lighting system
- CS: dry warm top
- CBM: hot well food warmer
- Cases ship standard unfinished

### OPTIONS

- Custom top glass
- Working top perimiter (brushed s/s, corian, black, HPL, granite)
- RAL color/laminate front and sides
- Casters

### CBM (Bain Marie) Layouts:



GEM S3 HOT (CS-DRY)				
TECHNICAL FEATURES		MODELS		
		GEM S3 CS1000	GEM S3 CS1500	GEM S3 CS2000
External Dimensions (L-D-H)	Inches	39 1/4" - 34 1/4" - 55"	59" - 34 1/4" - 55"	78 3/4" - 34 1/4" - 55"
	Inches-MM	1000 - 869 - 1400	1500 - 869 - 1400	2000 - 869 - 1400
Crated Dimensions (L-D-H)	Inches	53 1/8" - 41 1/2" - 61"	75" - 41 1/2" - 61"	90 1/2" - 41 1/2" - 61"
	Inches-MM	1350 - 1041 - 1549	1900 - 1041 - 1549	2300 - 1041 - 1549
Power Supply	(V)	208-220V	208-220V	208-220V
Power Consumption	(W)	500W	1000W	1210W
Operating Temperature	°C / °F	80°C / 177°F	80°C / 177°F	80°C / 177°F
Net Weights	Kg/Lb	104Kgs / 239Lbs	144Kgs / 331Lbs	188Kgs / 432Lbs
Crated Weights	Kg/Lb	124Kgs / 285Lbs	170Kgs / 391Lbs	205Kgs / 470Lbs

\* Dimensions are without side panels

GEM S3 HOT (CBM- BAIN MARIE)				
TECHNICAL FEATURES		MODELS		
		GEM S3 CBM1000	GEM S3 CBM1500	GEM S3 CBM2000
External Dimensions (L-D-H)	Inches	39 1/4" - 34 1/4" - 55"	59" - 34 1/4" - 55"	78 3/4" - 34 1/4" - 55"
	Inches-MM	1000 - 869 - 1400	1500 - 869 - 1400	2000 - 869 - 1400
Crated Dimensions (L-D-H)	Inches	53 1/8" - 41 1/2" - 61"	75" - 41 1/2" - 61"	90 1/2" - 41 1/2" - 61"
	Inches-MM	1350 - 1041 - 1549	1900 - 1041 - 1549	2300 - 1041 - 1549
Power Supply	(V)	208-220V	208-220V	208-220V
Power Consumption	(W)	1500W	2030W	3040W
Operating Temperature	°C / °F	80°C / 177°F	80°C / 177°F	80°C / 177°F
Net Weights	Kg/Lb	104Kgs / 239Lbs	144Kgs / 331Lbs	188Kgs / 432Lbs
Crated Weights	Kg/Lb	124Kgs / 285Lbs	170Kgs / 391Lbs	205Kgs / 470Lbs

\* Dimensions are without side panels