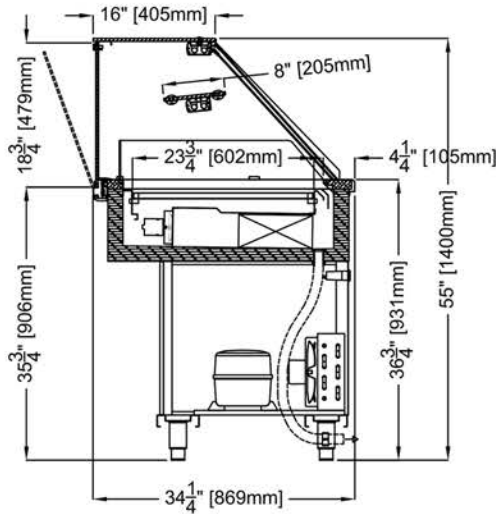


# GEM S3

# Chocolate Showcase



## STANDARD FEATURES

- LED lighting system
- Extra clear glass upper structure
- Sliding plexiglass doors
- Stainless steel lower interior foam tub
- Galvanized chassis structure
- All tempered glass
- Humidity control
- Cases ship standard unfinished

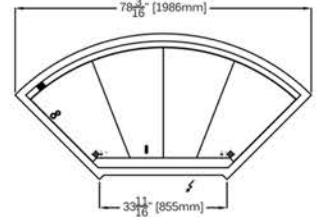
## OPTIONS

- Remote condensing unit
- Casters
- RAL color/laminate front and side panels
- Available in matching Gelato case



PHOTO SHOWN MATCHING GELATO

## A90



GEM S3 CHOCOLATE							
TECHNICAL FEATURES		MODELS					
		GEM S3 C1000	GEM S3 C1300	GEM S3 C1500	GEM S3 C1700	GEM S3 C2000	GEM S3 CA90
External Dimensions (L-D-H)	Inches	39 1/4" - 34 1/4" - 55"	51 1/4" - 34 1/4" - 55"	59" - 34 1/4" - 55"	67" - 34 1/4" - 55"	78 3/4" - 34 1/4" - 55"	78 3/16" - 34 1/4" - 55"
	Inches-MM	1000 - 869 - 1400	1300 - 869 - 1400	1500 - 869 - 1400	1700 - 869 - 1400	2000 - 869 - 1400	1986 - 869 - 1400
Crated Dimensions (L-D-H)	Inches	45" - 40" - 61"	59" - 40" - 61"	67" - 40" - 61"	74 3/4" - 40" - 61"	84" - 40" - 61"	84" - 40" - 61"
	Inches-MM	1150 - 1016 - 1549	1500 - 1016 - 1549	1700 - 1016 - 1549	1900 - 1016 - 1549	2150 - 1016 - 1549	2150 - 1016 - 1549
Humidity Control	Type	35-70%	35-70%	35-70%	35-70%	35-70%	35-70%
Refrigeration	Type	Ventilated	Ventilated	Ventilated	Ventilated	Ventilated	Ventilated
Refrigeration Display Area	Type	Deck	Deck	Deck	Deck	Deck	Deck
Operating Temperature	°F	55°F	55°F	55°F	55°F	55°F	55°F
Compressor	Nr./Type	Hermetic	Hermetic	Hermetic	Hermetic	Hermetic	Hermetic
BTU's @ +35°F Evap Temperature	BTU'S	1900 BTU'S	2200 BTU'S	2600 BTU'S	2800 BTU'S	2800 BTU'S	2800 BTU'S
Electric Supply	(V/Ph/Hz)	220/1/60	220/1/60	220/1/60	220/1/60	220/1/60	220/1/60
Power Consumption	(A)	10A	12A	13A	14A	16A	16A
Defrost	Mode/Type	Air	Air	Air	Air	Air	Air
Humidity Control	---	Yes	Yes	Yes	Yes	Yes	Yes
Refrigerant Gas	Type	R404A	R404A	R404A	R404A	R404A	R404A
Net Weights	Kg/Lb	122Kgs / 268Lbs	136Kgs / 200Lbs	160Kgs / 352Lbs	188Kgs / 414Lbs	203Kgs / 447Lbs	152Kgs / 334Lbs
Crated Weights	Kg/Lb	152Kgs / 334Lbs	166Kgs / 366Lbs	182Kgs / 400Lbs	218Kgs / 480Lbs	236Kgs / 520Lbs	210Kgs / 430Lbs

\* Dimensions are without side panels



361-367 Beach Road, Burlingame, CA 94010  
 Tel: 855.885.2400 | 650.342.2400 | Fax: 650.342.7400  
 sales@oscartek.com | www.oscartek.com

