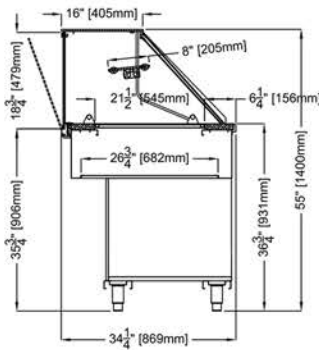
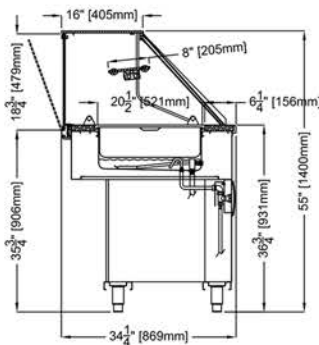


CS (DRY)



CBM (BAIN MARIE)



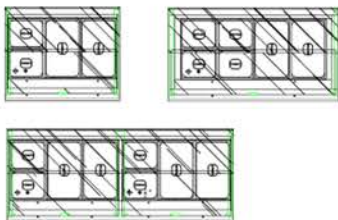
STANDARD FEATURES

- LED lighting system
- CS: dry warm top
- CBM: hot well food warmer
- Cases ship standard unfinished

OPTIONS

- Custom top glass
- Working top perimter (brushed s/s, corian, black, HPL, granite)
- RAL color/laminate front and sides
- Casters

CBM (Bain Marie) Layouts:



GEM S3 HOT (CS-DRY)				
TECHNICAL FEATURES		MODELS		
		GEM S3 CS1000	GEM S3 CS1500	GEM S3 CS2000
External Dimensions (L-D-H)	Inches	39 1/4" - 34 1/4" - 55"	59" - 34 1/4" - 55"	78 3/4" - 34 1/4" - 55"
	Inches-MM	1000 - 869 - 1400	1500 - 869 - 1400	2000 - 869 - 1400
Crated Dimensions (L-D-H)	Inches	53 1/8" - 41 1/2" - 61"	75" - 41 1/2" - 61"	90 1/2" - 41 1/2" - 61"
	Inches-MM	1350 - 1041 - 1549	1900 - 1041 - 1549	2300 - 1041 - 1549
Power Supply	(V)	208-220V	208-220V	208-220V
Power Consumption	(W)	500W	1000W	1210W
Operating Temperature	°C / °F	80°C / 177°F	80°C / 177°F	80°C / 177°F
Net Weights	Kg/Lb	104Kgs / 239Lbs	144Kgs / 331Lbs	188Kgs / 432Lbs
Crated Weights	Kg/Lb	124Kgs / 285Lbs	170Kgs / 391Lbs	205Kgs / 470Lbs

* Dimensions are without side panels

GEM S3 HOT (CBM- BAIN MARIE)				
TECHNICAL FEATURES		MODELS		
		GEM S3 CBM1000	GEM S3 CBM1500	GEM S3 CBM2000
External Dimensions (L-D-H)	Inches	39 1/4" - 34 1/4" - 55"	59" - 34 1/4" - 55"	78 3/4" - 34 1/4" - 55"
	Inches-MM	1000 - 869 - 1400	1500 - 869 - 1400	2000 - 869 - 1400
Crated Dimensions (L-D-H)	Inches	53 1/8" - 41 1/2" - 61"	75" - 41 1/2" - 61"	90 1/2" - 41 1/2" - 61"
	Inches-MM	1350 - 1041 - 1549	1900 - 1041 - 1549	2300 - 1041 - 1549
Power Supply	(V)	208-220V	208-220V	208-220V
Power Consumption	(W)	1500W	2030W	3040W
Operating Temperature	°C / °F	80°C / 177°F	80°C / 177°F	80°C / 177°F
Net Weights	Kg/Lb	104Kgs / 239Lbs	144Kgs / 331Lbs	188Kgs / 432Lbs
Crated Weights	Kg/Lb	124Kgs / 285Lbs	170Kgs / 391Lbs	205Kgs / 470Lbs

* Dimensions are without side panels