

# ITALIA 1-2-3

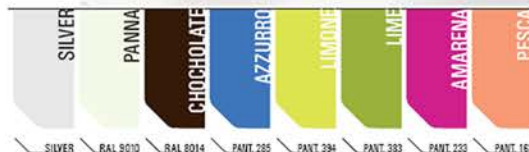
# Hot-Convection Showcase

## STANDARD FEATURES

- Convection Heat circulating Fan
- Maxi- Display High Volume Heated
- LED lighting system
- Three heights available; 45"H, 49"H and 53"H
- Sliding double pane glass door closure on operator side
- Tempered Gray Frame double pane front, sides and top glass
- Perfect 4 side visibility

## OPTIONS

- Humidity control water valve up to 20%
- Lift up hydraulic double pane front glass
- Decorative RAL color/ laminate front and sides
- Glass frame colors in: Black, White, and Gold
- Wet / Bain Marie application with Heat lamp
- Matches to ITALIA Deli /Pastry and GRAB & GO Muro H11
- Casters



ITALIA 1 HOT-CONVECTION				
TECHNICAL FEATURES		ITALIA 1		
		ITALIA 1 H900	ITALIA 1 H1200	ITALIA 1 H1500
External Dimensions (L-D-H)	Inches	35 9/16" - 30 15/16" - 45 1/4"	47 3/8" - 30 15/16" - 45 1/4"	59 3/16" - 30 15/16" - 45 1/4"
	Inches-MM	904 - 786 - 1149	1204 - 786 - 1149	1504 - 786 - 1149
Crated Dimensions (L-D-H)	Inches	43 3/8" - 39 3/8" - 55 1/8"	55 1/8" - 39 3/8" - 55 1/8"	66 7/8" - 39 3/8" - 55 1/8"
	Inches-MM	1100 - 1000 - 1400	1400 - 1000 - 1400	1700 - 1000 - 1400
Operating Temperature	°C / °F	+60°C / 140°F	+60°C / 140°F	+60°C / 140°F
Electric Supply	(V/Ph/Hz)	230/1/50 (EU)	230/1/50 (EU)	230/1/50 (EU)
		220/1/60 (USA)	220/1/60 (USA)	220/1/60 (USA)
Power Consumption	(W/A)	1500W / 7.2A	1800W / 8.1A	2000W / 9.6A
Climatic Class	N°°C/F°/H.R.	3/25/77/60%	3/25/77/60%	3/25/77/60%
Net Weights	Kg/Lb	100Kgs / 220Lbs	130Kgs / 286Lbs	160Kgs / 352Lbs
Crated Weights	Kg/Lb	160Kgs / 352Lbs	210Kgs / 462Lbs	225Kgs / 496Lbs

\* Manufacturer reserves the right to change specifications without notice. Not responsible for error and omissions.



361-367 Beach Road, Burlingame, CA 94010  
 Tel: 855.885.2400 | 650.342.2400 | Fax: 650.342.7400  
 sales@oscartek.com | www.oscartek.com



ITALIA 2 HOT-CONVECTION				
TECHNICAL FEATURES		ITALIA 2		
		ITALIA 2 H900	ITALIA 2 H1200	ITALIA 2 H1500
External Dimensions (L-D-H)	Inches	35 9/16" - 30 15/16" - 49 3/16"	47 3/8" - 30 15/16" - 49 3/16"	59 3/16" - 30 15/16" - 49 3/16"
	MM	904 - 786 - 1249	1204 - 786 - 1249	1504 - 786 - 1249
Crated Dimensions (L-D-H)	Inches	43 3/8" - 39 3/8" - 59"	55 1/8" - 39 3/8" - 59"	66 7/8" - 39 3/8" - 59"
	MM	1100 - 1000 - 1500	1400 - 1000 - 1500	1700 - 1000 - 1500
Operating Temperature	°C / °F	+60°C / 140°F	+60°C / 140°F	+60°C / 140°F
Electric Supply		230/1/50 (EU)	230/1/50 (EU)	230/1/50 (EU)
	(V/Ph/Hz)	220/1/60 (USA)	220/1/60 (USA)	220/1/60 (USA)
Power Consumption	(W/A)	1500W / 7.2A	1800W / 8.1A	2000W / 9.6A
Climatic Class	N°/°C/F°/H.R.	3/25/77/60%	3/25/77/60%	3/25/77/60%
Net Weights	Kg/Lb	115Kgs / 253Lbs	150Kgs / 330Lbs	180Kgs / 396Lbs
Crated Weights	Kg/Lb	185Kgs / 407Lbs	235Kgs / 518Lbs	280Kgs / 617Lbs

ITALIA 3 HOT-CONVECTION				
TECHNICAL FEATURES		ITALIA 3		
		ITALIA 3 H900	ITALIA 3 H1200	ITALIA 3 H1500
External Dimensions (L-D-H)	Inches	35 9/16" - 30 15/16" - 53 1/8"	47 3/8" - 30 15/16" - 53 1/8"	59 3/16" - 30 15/16" - 53 1/8"
	MM	904 - 786 - 1349	1204 - 786 - 1349	1504 - 786 - 1349
Crated Dimensions (L-D-H)	Inches	43 3/8" - 39 3/8" - 63"	55 1/8" - 39 3/8" - 63"	66 7/8" - 39 3/8" - 63"
	MM	1100 - 1000 - 1600	1400 - 1000 - 1600	1700 - 1000 - 1600
Operating Temperature	°C / °F	+60°C / 140°F	+60°C / 140°F	+60°C / 140°F
Electric Supply		230/1/50 (EU)	230/1/50 (EU)	230/1/50 (EU)
	(V/Ph/Hz)	220/1/60 (USA)	220/1/60 (USA)	220/1/60 (USA)
Power Consumption	(W/A)	1500W / 7.2A	1800W / 8.1A	2000W / 9.6A
Climatic Class	N°/°C/F°/H.R.	3/25/77/60%	3/25/77/60%	3/25/77/60%
Net Weights	Kg/Lb	130Kgs / 286Lbs	170Kgs / 374Lbs	200Kgs / 440Lbs
Crated Weights	Kg/Lb	202Kgs / 445Lbs	260Kgs / 454Lbs	310Kgs / 683Lbs

\* Manufacturer reserves the right to change specifications without notice. Not responsible for error and omissions.



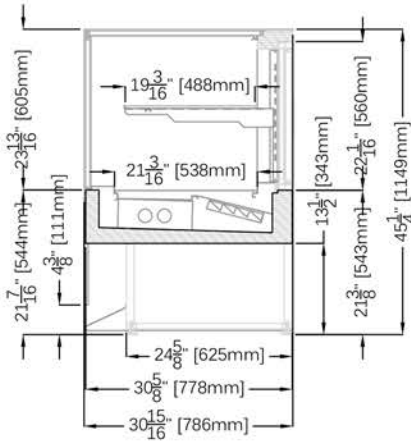
361-367 Beach Road, Burlingame, CA 94010  
 Tel: 855.885.2400 | 650.342.2400 | Fax: 650.342.7400  
 sales@oscartek.com | www.oscartek.com



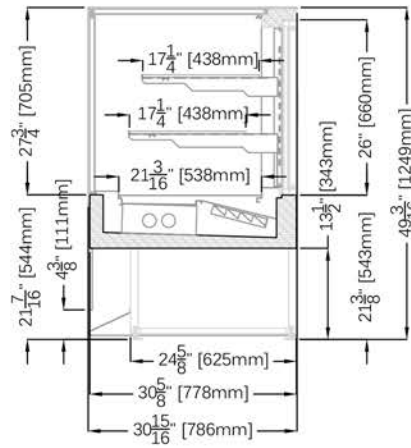
# ITALIA 1-2-3

# Hot-Convection Showcase

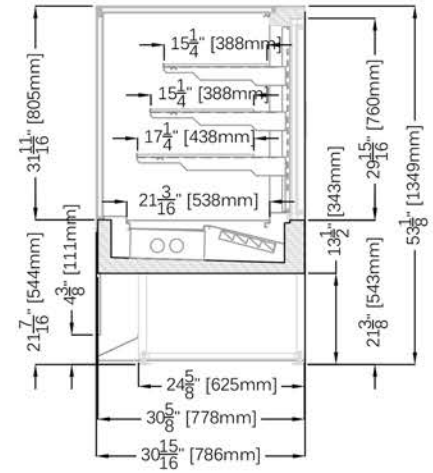
**ITALIA 1 - 45 1/4"H**



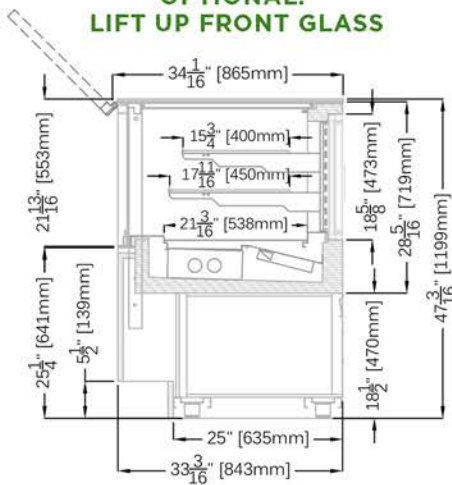
**ITALIA 2 - 49 3/16"H**



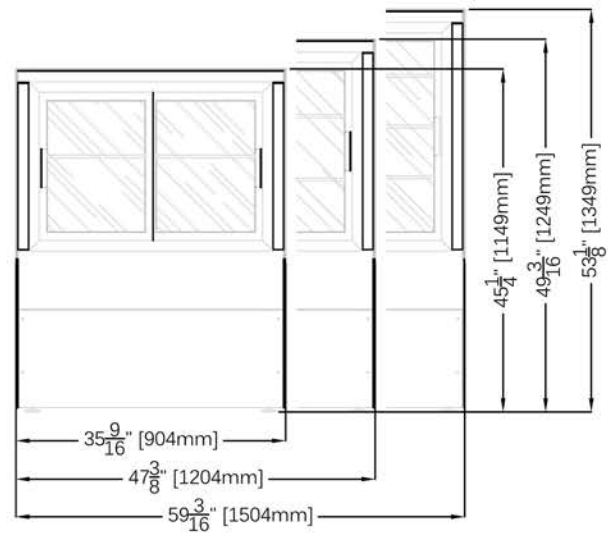
**ITALIA 3 - 53 1/8"H**



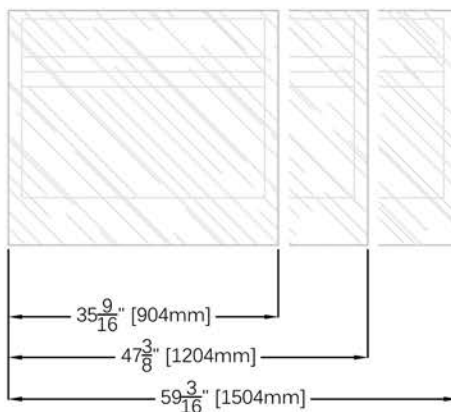
**OPTIONAL:  
LIFT UP FRONT GLASS**



**REAR ELEVATION (OPERATOR SIDE)**



**PLAN VIEW**



\* Manufacturer reserves the right to change specifications without notice. Not responsible for error and omissions.



361-367 Beach Road, Burlingame, CA 94010  
 Tel: 855.885.2400 | 650.342.2400 | Fax: 650.342.7400  
 sales@oscartek.com | www.oscartek.com

