

# ITALIA 1-2-3

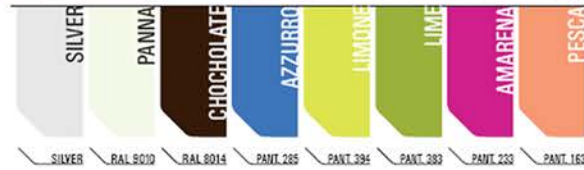
# Self Serve Rear Loading Showcase

## STANDARD FEATURES

- Polished stainless steel display area
- Rear loading with two double pane leaf doors
- 2 rows tempered glass shelves with LED
- Ventilated refrigeration system on all shelves
- Automatic defrost
- Dixell digital control
- Tubular structure painted stainless steel
- LED lighting
- Cases ship standard unfinished

## OPTIONS

- Remote condensing unit
- RAL color/laminate front and side panels
- Matches with Itala & Muro H11
- Casters



ITALIA 1 SELF SERVE REAR LOADING				
TECHNICAL FEATURES		ITALIA 1		
		ITALIA 1 SSRL960	ITALIA 1 SSRL1440	ITALIA 1 SSRL1920
External Dimensions (L-D-H)	Inches	39 1/2" - 33 1/8" - 45 1/4"	58 3/8" - 33 1/8" - 45 1/4"	77 1/4" - 33 1/8" - 45 1/4"
	Inches-MM	1003 - 841 - 1149	1483 - 841 - 1149	1963 - 841 - 1149
Crated Dimensions (L-D-H)	Inches	45" - 39 3/8" - 52"	64" - 39 3/8" - 52"	83" - 39 3/8" - 52"
	Inches-MM	1143 - 1000 - 1320	1625 - 1000 - 1320	2108 - 1000 - 1320
Refrigeration	Type	Ventilated	Ventilated	Ventilated
Refrigeration Display Area	Type	Deck	Deck	Deck
Operating Temperature	°F	+41°F	+41°F	+41°F
BTU'S @ +14°F Evap Temperature	BTU's	4200 BTU'S	6720 BTU'S	8820 BTU'S
Electric Supply	(V/Ph/Hz)	230/1/50 (UE) 208/220/1/60 (USA)	230/1/50 (UE) 208/220/1/60 (USA)	230/1/50 (UE) 208/220/1/60 (USA)
Power Consumption	(A)	4A	7A	8.5A
Defrost	Mode/Type	Automatic	Automatic	Automatic
Net Weights	Kg/Lb	107Kgs / 236Lbs	216Kgs / 478Lbs	276Kgs / 610Lbs
Crated Weights	Kg/Lb	122Kgs / 269Lbs	231Kgs / 511Lbs	306Kgs / 676Lbs

\* Manufacturer reserves the right to change specifications without notice. Not responsible for error and omissions.



361-367 Beach Road, Burlingame, CA 94010  
 Tel: 855.885.2400 | 650.342.2400 | Fax: 650.342.7400  
 sales@oscartek.com | www.oscartek.com



ITALIA 2 SELF SERVE REAR LOADING				
TECHNICAL FEATURES		ITALIA 2		
		ITALIA 2 SSRL960	ITALIA 2 SSRL1440	ITALIA 2 SSRL1920
External Dimensions (L-D-H)	Inches	39 1/2" - 33 1/8" - 49 3/16"	58 3/8" - 33 1/8" - 49 3/16"	77 1/4" - 33 1/8" - 49 3/16"
	MM	1003 - 841 - 1249	1483 - 841 - 1249	1963 - 841 - 1249
Crated Dimensions (L-D-H)	Inches	45" - 39 3/8" - 56"	64" - 39 3/8" - 56"	83" - 39 3/8" - 56"
	MM	1143 - 1000 - 1422	1625 - 1000 - 1422	2108 - 1000 - 1422
Refrigeration	Type	Ventilated	Ventilated	Ventilated
Refrigeration Display Area	Type	Deck / Shelf	Deck / Shelf	Deck / Shelf
Operating Temperature	°F	+41°F	+41°F	+41°F
BTU'S @ +14°F Evap Temperature	BTU's	4200 BTU'S	6720 BTU'S	8820 BTU'S
Electric Supply	(V/Ph/Hz)	230/1/50 (EU)	230/1/50 (EU)	230/1/50 (EU)
		208/220/1/60 (USA)	208/220/1/60 (USA)	208/220/1/60 (USA)
Power Consumption	(A)	4A	7A	8.5A
Net Weights	Kg/Lb	116Kgs / 256Lbs	225Kgs / 498Lbs	285Kgs / 630Lbs
Crated Weights	Kg/Lb	131Kgs / 289Lbs	240Kgs / 531Lbs	315Kgs / 696Lbs

ITALIA 3 SELF SERVE REAR LOADING				
TECHNICAL FEATURES		ITALIA 3		
		ITALIA 3 SSRL960	ITALIA 3 SSRL1440	ITALIA 3 SSRL1920
External Dimensions (L-D-H)	Inches	39 1/2" - 33 1/8" - 53 1/8"	58 3/8" - 33 1/8" - 53 1/8"	77 1/4" - 33 1/8" - 53 1/8"
	MM	1003 - 841 - 1349	1483 - 841 - 1349	1963 - 841 - 1349
Crated Dimensions (L-D-H)	Inches	45" - 39 3/8" - 60"	64" - 39 3/8" - 60"	83" - 39 3/8" - 60"
	MM	1143 - 1000 - 1524	1625 - 1000 - 1524	2108 - 1000 - 1524
Refrigeration	Type	Ventilated	Ventilated	Ventilated
Refrigeration Display Area	Type	Deck / Shelves	Deck / Shelves	Deck / Shelves
Operating Temperature	°F	+41°F	+41°F	+41°F
BTU'S @ +14°F Evap Temperature	BTU's	4200 BTU'S	6720 BTU'S	8820 BTU'S
Electric Supply	(V/Ph/Hz)	230/1/50 (EU)	230/1/50 (EU)	230/1/50 (EU)
		208/220/1/60 (USA)	208/220/1/60 (USA)	208/220/1/60 (USA)
Power Consumption	(A)	4A	7A	8.5A
Net Weights	Kg/Lb	130Kgs / 286Lbs	240Kgs / 528Lbs	300Kgs / 660Lbs
Crated Weights	Kg/Lb	145Kgs / 319Lbs	255Kgs / 561Lbs	330Kgs / 726Lbs

\* Manufacturer reserves the right to change specifications without notice. Not responsible for error and omissions.



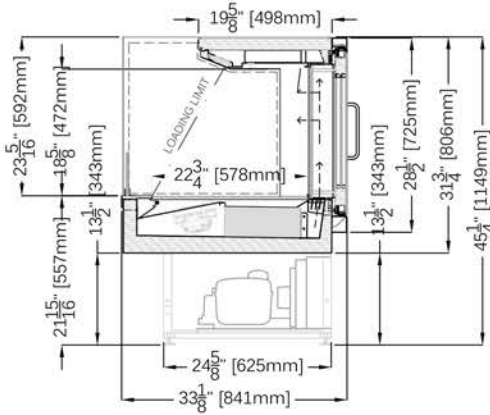
361-367 Beach Road, Burlingame, CA 94010  
 Tel: 855.885.2400 | 650.342.2400 | Fax: 650.342.7400  
 sales@oscartek.com | www.oscartek.com



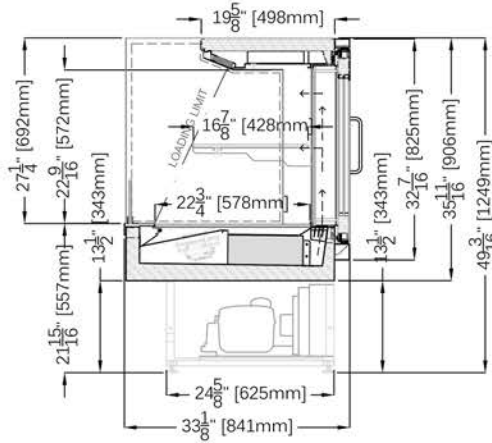
# ITALIA 1-2-3

# Self Serve Rear Loading Showcase

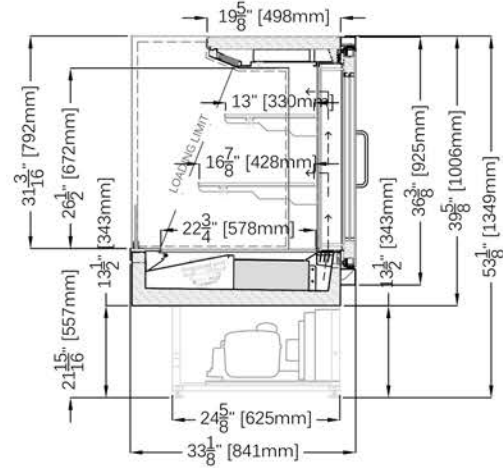
**ITALIA 1 - 45 1/4"H**



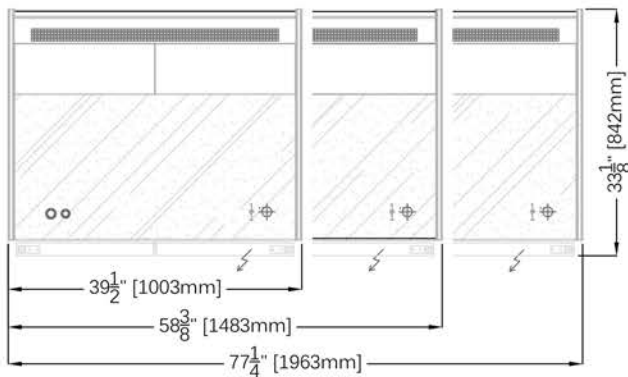
**ITALIA 2 - 49 3/16"H**



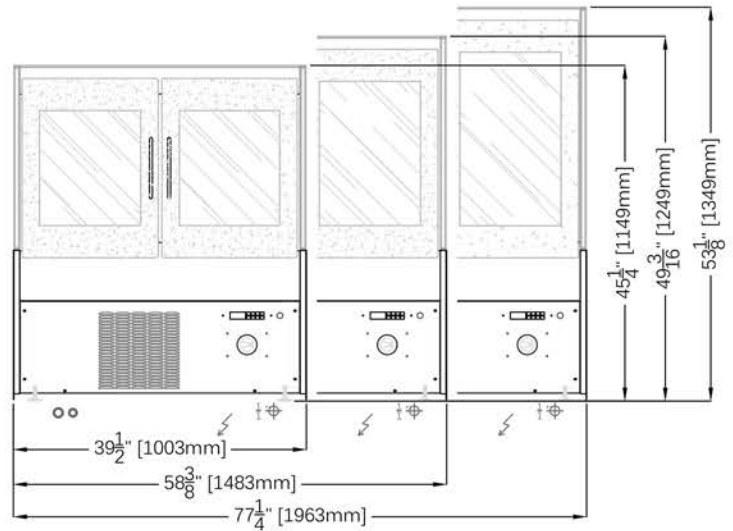
**ITALIA 3 - 53 1/8"H**



**PLAN VIEW**



**REAR ELEVATION (OPERATOR SIDE)**



**ELECTRICAL LEGEND**

∞	REFRIGERATED LINES
⊕"	DRAIN
⚡	POWER

\* Manufacturer reserves the right to change specifications without notice. Not responsible for error and omissions.



361-367 Beach Road, Burlingame, CA 94010  
 Tel: 855.885.2400 | 650.342.2400 | Fax: 650.342.7400  
 sales@oscartek.com | www.oscartek.com

