

Metro 11

A true magnet to food



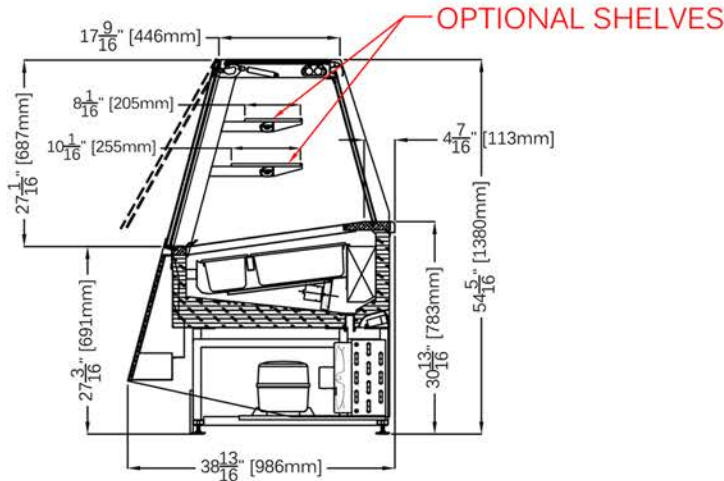
A contemporary showcase that has a broad appeal is available in Pastry, Deli and Gelato Ice Cream both in linear configurations. Front Glass is lift up hydraulic on all models and heated to prevent fogging or sweating. The front lower portion is a back painted tempered glass that can be removed and replaced with any fascia /décor to fit any ambience. LED lighting is standard.



Discover the Art of Display...

METRO II

Gelato Showcase



STANDARD FEATURES

- Matches with Metro & Metro II line
- LED lighting system
- Lift up double pane hydraulic front glass
- Cases ship standard unfinished

OPTIONS

- Working top perimeter (brushed s/s, corian, black HPL, granite)
- S/s display trays for ice cream cakes
- Switch device from low temp. (-18°C) to positive temp. (+4°C)
- Two shelves with LED lighting
- Extra clear glass
- Dipper well

- Cone holder
- Remote condensing unit
- RAL color/laminate front and side panels
- Casters
- Popsicle display tray (stainless steel & plastic).
- Plastic available in color options (see images below)

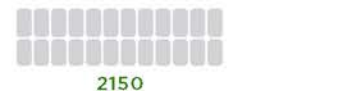
METRO II GELATO					
TECHNICAL FEATURES		MODELS			
		METRO II G1150	METRO II G1650	METRO II G2150	METRO II G2150 DUAL TEMP
External Dimensions (L-D-H)	Inches	45 1/4" - 38 13/16" - 54 5/16"	64 15/16" - 38 13/16" - 54 5/16"	84 5/8" - 38 13/16" - 54 5/16"	84 5/8" - 38 13/16" - 54 5/16"
	MM	1150 - 986 - 1380	1650 - 986 - 1380	2150 - 986 - 1380	2150 - 986 - 1380
Crated Dimensions (L-D-H)	Inches	51" - 45" - 61"	71" - 45" - 61"	90" - 45" - 61"	90" - 45" - 61"
	MM	1295 - 1143 - 1549	1803 - 1143 - 1549	2286 - 1143 - 1549	2286 - 1143 - 1549
2.5 & 5 Liter Pan Capacity* 7 1/16" x 6 1/2" x 4 3/4" (180mm x 165mm x 120mm) 14 3/16" x 6 1/2" x 4 3/4" (360mm x 165mm x 120mm)	Pan Configuration	5 (2.5 LITER) + 6 (5 LITER)	9 (2.5 LITER) + 9 (5 LITER)	12 (2.5 LITER) + 12 (5 LITER)	12 (2.5 LITER) + 12 (5 LITER)
8 Liter Pan Capacity* 14 3/16" x 9 13/16" x 4 3/4" (360mm x 250mm x 120mm)	Pan Configuration	6	8	10	N/A
Refrigeration	Type	Fan Ventilated	Fan Ventilated	Fan Ventilated	Fan Ventilated
Refrigeration Display Area	Type	Deck	Deck	Deck	Deck
Operating Temperature	°C / °F	-18°C / -4°F	-18°C / -4°F	-18°C / -4°F	-18°C / -4°F
Compressor	Nr./Type	1 / Hermetic	1 / Hermetic	2 / Hermetic	2 / Hermetic
BTU's @ -25°F Evap Temperature	BTU's	5440 BTU'S	7040 BTU'S	8640 BTU'S	2400 BTU'S + 2400 BTU'S
Electric Supply	(V/Ph/Hz)	208-220/3/60Hz (50Hz)	208-220/3/60Hz (50Hz)	208-220/3/60Hz (50Hz)	208-220/3/60Hz (50Hz)
Power Consumption	(W/A)	1860W / 4.3A	2850W / 7A	3400W / 7.8A	3400W / 7.8A
Defrost	Mode/Type	Reverse Cycle	Reverse Cycle	Reverse Cycle	Reverse Cycle
Climatic Class	N°/°C/°F/H.R.	4+/35/95/70%	4+/35/95/70%	4+/35/95/70%	4+/35/95/70%
Refrigerant Gas	Type	R404A	R404A	R404A	R404A
Net Weights	Kg/Lb	290Kgs / 639Lbs	360Kgs / 793Lbs	460Kgs / 1014Lbs	460Kgs / 1014Lbs
Crated Weights	Kg/Lb	415Kgs / 914Lbs	535Kgs / 1179Lbs	680Kgs / 1499Lbs	680Kgs / 1499Lbs

* Dimensions are without side panels

* Pans not included



4 LITER PANS
10 1/8" x 6 1/8" x 5 7/8"
(258mm x 156mm x 15mm):



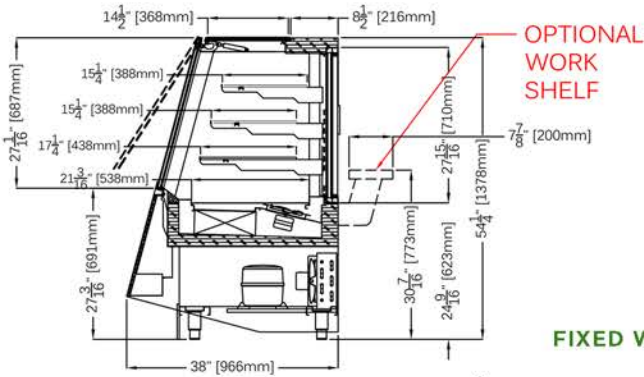
361-367 Beach Road, Burlingame, CA 94010
Tel: 855.885.2400 | 650.342.2400 | Fax: 650.342.7400
sales@oscartek.com | www.oscartek.com



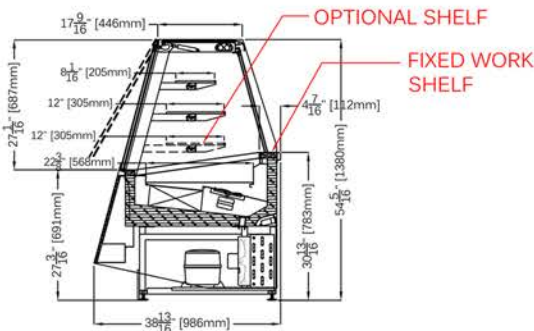
METRO II

Deli/Pastry Showcase

OPTIONAL WORK SHELF



FIXED WORK SHELF



STANDARD FEATURES

- Matches with Metro & Metro II line
- LED lighting system
- Lift up double pane hydraulic front glass
- Double pane sliding glass back doors
- Extra clear glass upper structure
- Stainless steel lower interior foam tub
- Galvanized chassis structure
- All tempered glass
- Cases ship standard unfinished

OPTIONS

- Remote condensing unit
- Additional shelf
- RAL color/laminate front and side panels
- Casters

METRO II DELI/PASTRY					
TECHNICAL FEATURES		MODELS			
		METRO II DP1150	METRO II DP1650	METRO II DP2150	METRO II DPA45
External Dimensions (L-D-H)	Inches	45 1/4" - 38 13/16" - 54 5/16"	64 15/16" - 38 13/16" - 54 5/16"	84 5/8" - 38 13/16" - 54 5/16"	64 15/16" - 38 13/16" - 54 5/16"
	Inches-MM	1150 - 986 - 1380	1650 - 986 - 1380	2150 - 986 - 1380	1650 - 986 - 1380
Crated Dimensions (L-D-H)	Inches	54 1/3" - 45" - 61"	71" - 45" - 61"	93" - 45" - 61"	71" - 45" - 61"
	Inches-MM	1380 - 1143 - 1549	1803 - 1143 - 1549	2362 - 1143 - 1549	1803 - 1143 - 1549
Refrigeration	Type	Fan Ventilated	Fan Ventilated	Fan Ventilated	Fan Ventilated
Refrigeration Display Area	Type	Deck / Shelves	Deck / Shelves	Deck / Shelves	Deck / Shelves
Operating Temperature	°C / °F	+4°C / 39.2°F	+4°C / 39.2°F	+4°C / 39.2°F	+4°C / 39.2°F
Compressor	Nr./Type	1 / Hermetic	1 / Hermetic	2 / Hermetic	1 / Hermetic
BTU's @+14°F Evap Temperature	BTU'S	2560 BTU'S	3200 BTU'S	3850 BTU'S	3200 BTU'S
		230/1/50 (EU)	230/1/50 (EU)	230/1/50 (EU)	230/1/50 (EU)
Electric Supply	(V/Ph/Hz)	120/1/60	120/1/60	120/1/60	120/1/60
Power Consumption	(W/A)	1000W / 5.8A	1200W / 8.5A	1600W / 9A	1200W / 8.5A
Defrost	Mode/Type	Automatic	Automatic	Automatic	Automatic
Climatic Class	N°/°C/F°/H.R.	4+/35/95/70%	4+/35/95/70%	4+/35/95/70%	4+/35/95/70%
Refrigerant Gas	Type	R404A	R404A	R404A	R404A
Net Weights	Kg/Lb	266Kgs / 586Lbs	350Kgs / 771Lbs	430Kgs / 992Lbs	350Kgs / 771Lbs
Crated Weights	Kg/Lb	391Kgs / 862Lbs	525Kgs / 1157Lbs	650Kgs / 1433Lbs	525Kgs / 1157Lbs

* Dimensions are without side panels



361-367 Beach Road, Burlingame, CA 94010
 Tel: 855.885.2400 | 650.342.2400 | Fax: 650.342.7400
 sales@oscartek.com | www.oscartek.com

