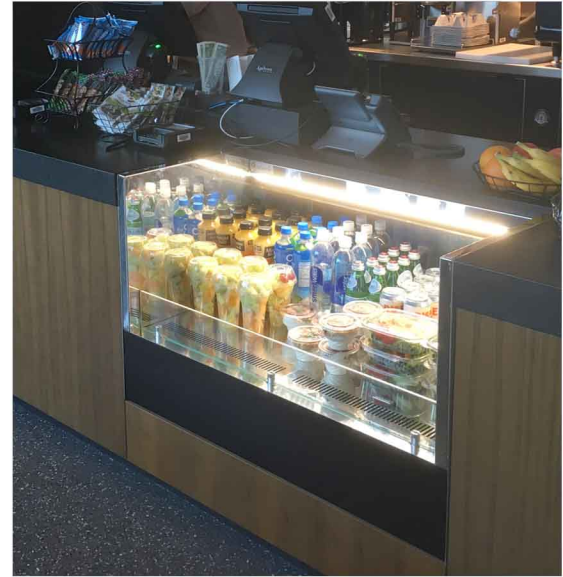
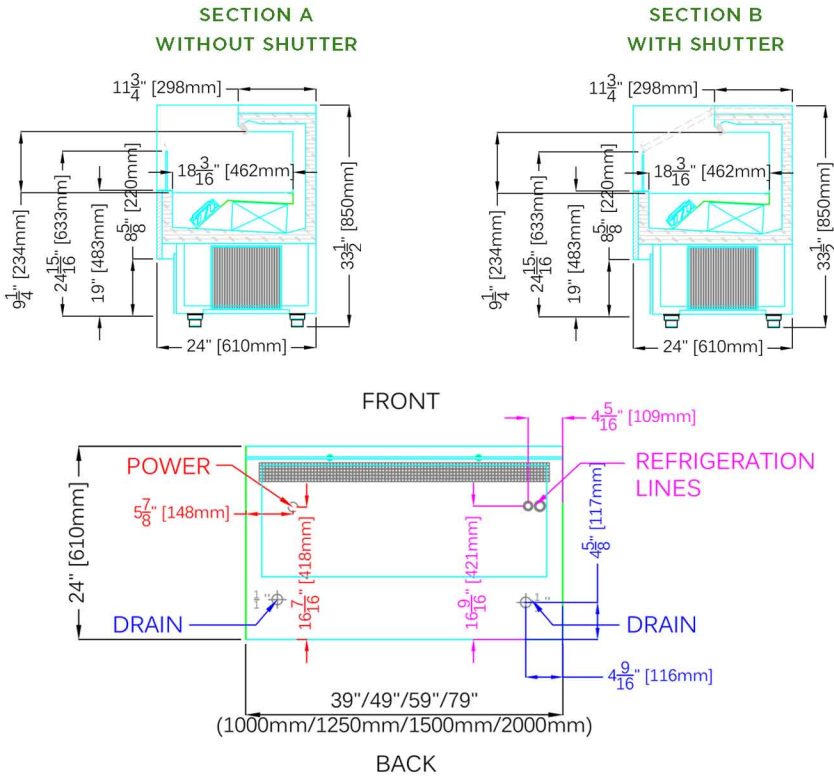


MURO OPTIMA D24

Self Serve Air Screen Refrigeration Showcase



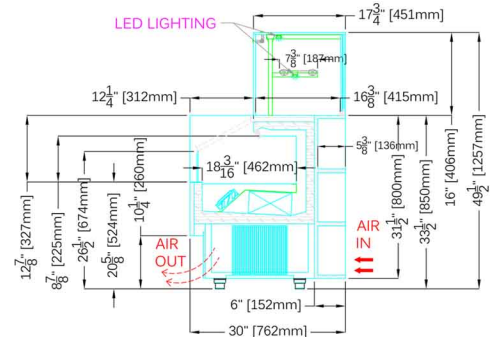
STANDARD FEATURES

- Double pane side glass ends
- Dixell digital control
- Bottom evaporator ventilation cooling
- Stainless steel foam in place bottom and top
- Adjustable feet
- Roll down night curtain
- Cases ship standard stainless steel interior and exterior

OPTIONS

- Top glass
- Stainless steel side panels in lieu of glass
- Black/white interior
- Remote/water cooled condensing unit
- RAL color/laminate front and side panels
- Condensate pan
- Casters

OPTIONAL: TOP GLASS



MURO OPTIMA D24 SELF SERVE				
TECHNICAL FEATURES		MODELS		
		MURO OPTIMA D24 1000	MURO OPTIMA D24 1250	MURO OPTIMA D24 1500
External Dimensions (L-D-H)	Inches	39 3/8" - 24" - 33 1/2"	49 3/16" - 24" - 33 1/2"	59 1/16" - 24" - 33 1/2"
	Inches-MM	1000 - 610 - 850	1250 - 610 - 850	1500 - 610 - 850
Crated Dimensions (L-D-H)	Inches	46" - 30" - 40"	55" - 30" - 40"	66" - 30" - 40"
	Inches-MM	1168 - 762 - 1016	1397 - 762 - 1016	1676 - 762 - 1016
BTU's @ +14°F Evap Temperature	BTU'S	2600 BTU'S	3320 BTU'S	3650 BTU'S
Power Supply	(V/Hz)	208-220V/60Hz	208-220V/60Hz	208-220V/60Hz
Amperage	(A)	4A	6A	7A
Operating Temperature	°F	40°F	40°F	40°F
Net Weights	Kg/Lb	130Kgs / 286Lbs	200Kgs / 440Lbs	240Kgs / 528Lbs
Crated Weights	Kg/Lb	145Kgs / 319Lbs	220Kgs / 484Lbs	255Kgs / 561Lbs

NOTES: 1) 85°F AMBIENT AND 55% RELATIVE HUMIDITY | 2) FLOOR SINK RECOMMENDED ON THESE MODELS

* Manufacturer reserves the right to change specifications without notice. Not responsible for error and omissions.



361-367 Beach Road, Burlingame, CA 94010
 Tel: 855.885.2400 | 650.342.2400 | Fax: 650.342.7400
 sales@oscartek.com | www.oscartek.com

