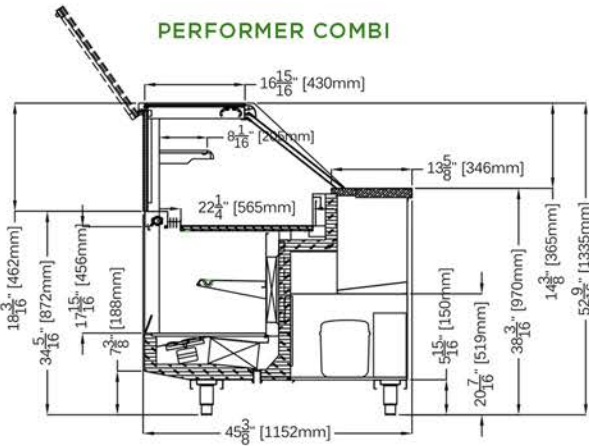


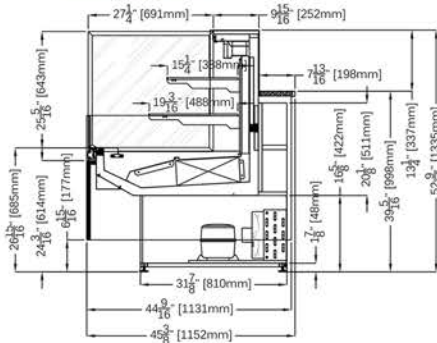
# PERFORMER

## Combi/Self Serve Showcase

### PERFORMER COMBI



**MURO H12 SQUARE PROFILE MATCHES WITH SQUARE CASE MODELS**



Representation only



### STANDARD FEATURES

- Double pane side glass ends
- Dixell digital control
- LED lighting on each shelf and canopy
- Straight or inclined shelves
- Bottom evaporator ventilation cooling
- Stainless steel foam in place bottom and top
- Adjustable feet
- Cases ship standard unfinished

### OPTIONS

- Stainless steel side panels in lieu of glass
- Shelf fence for inclined position
- Black interior
- Remote/water cooled condensing unit
- RAL color/laminate front and side panels
- Condensate pan
- Casters

PERFORMER COMBI				
TECHNICAL FEATURES		MODELS		
		PERFORMER COMBI 1150	PERFORMER COMBI 1650	PERFORMER COMBI 2150
External Dimensions (L-D-H)	Inches	45 1/4" - 45 3/8" - 52 9/16"	64 15/16" - 45 3/8" - 52 9/16"	84 5/8" - 45 3/8" - 52 9/16"
	Inches-MM	1150 - 1152 - 1335	1650 - 1152 - 1335	2150 - 1152 - 1335
Crated Dimensions (L-D-H)	Inches	53 7/8" - 53 7/8" - 58"	73 5/8" - 53 7/8" - 58"	93 1/4" - 53 7/8" - 58"
	Inches-MM	1370 - 1370 - 1473	1870 - 1370 - 1473	2370 - 1370 - 1473
BTU's @ +14°F Evap				
Temperature	BTU'S	4600 BTU'S	5320 BTU'S	6650 BTU'S
Power Supply	(V/Hz)	220V/60Hz	220V/60Hz	220V/60Hz
Amperage	(A)	4A	6A	7A
Operating Temperature	°F	40°F	40°F	40°F
Net Weights	Kg/Lb	130Kgs / 286Lbs	200Kgs / 440Lbs	240Kgs / 528Lbs
Crated Weights	Kg/Lb	145Kgs / 319Lbs	220Kgs / 484Lbs	255Kgs / 561Lbs

\* Dimensions are without side panels



361-367 Beach Road, Burlingame, CA 94010  
 Tel: 855.885.2400 | 650.342.2400 | Fax: 650.342.7400  
 sales@oscartek.com | www.oscartek.com

