

PERFORMER

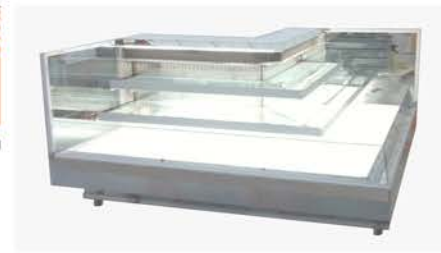
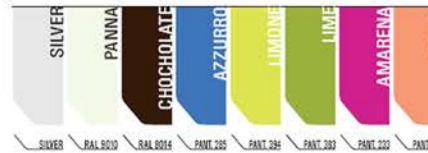
Self Serve Showcase

STANDARD FEATURES

- Double pane sides
- Lift-up deck and evaporator to allow the perfect cleaning of the tank (linear models)
- LED lighting
- Internal condensing unit (A1 models)
- Cases ship standard unfinished

OPTIONS

- Bumper addition for cart/trolley
- Paper holder
- Pull-out faucet inside the tank
- Cutting board with knives pocket
- Scale holder
- External condensing unit
- Casters



PERFORMER SELF SERVE A1 (AVAILABLE SELF CONTAINED)					
TECHNICAL FEATURES		MODELS			
		PERFORMER SS A1 1150	PERFORMER SS A1 1650	PERFORMER SS A1 2150	PERFORMER SS A1 A90
External dimensions (L-D-H)	Inches	46 7/8" - 45 3/8" - 37 5/16"	66 9/16" - 45 3/8" - 37 5/16"	86 1/4" - 45 3/8" - 37 5/16"	63 5/8" - 45 3/8" - 37 5/16"
	Inches-MM	1190 - 1152 - 948	1690 - 1152 - 948	2190 - 1152 - 948	1615 - 1152 - 948
Crated dimensions (L-D-H)	Inches	53 7/8" - 53 7/8" - 43 1/8"	73 5/8" - 53 7/8" - 43 1/8"	93 1/4" - 53 7/8" - 43 1/8"	70 7/8" - 53 7/8" - 43 1/8"
	Inches-MM	1370 - 1370 - 1094	1870 - 1370 - 1094	2370 - 1370 - 1094	1800 - 1370 - 1094
Refrigerated Display Area	Type	Deck	Deck	Deck	Deck
Operating Temperature	°F	41°F	41°F	41°F	41°F
Compressor	Nr./Type	Hermetic	Hermetic	Hermetic	Hermetic
BTU'S @ +14°F Evap Temperature	BTU'S	3900 BTU'S	4600 BTU'S	5200 BTU'S	6800 BTU'S
Electric Supply	(V)	208/220V	208/220V	208/220V	208/220V
Power Consumption	(A)	10A	12A	14A	14A
Defrost	Mode/Type	Electric	Electric	Electric	Electric
Climatic Class	N°/°C/F°/H.R.	3/24/77/55%	3/24/77/55%	3/24/77/55%	3/24/77/55%
Refrigerant Gas	Type	R404A	R404A	R404A	R404A
Net Weights	Kg/Lb	150Kgs / 330Lbs	240Kgs / 528Lbs	290Kgs / 638Lbs	340Kgs / 749Lbs
Crated Weights	Kg/Lb	175Kgs / 384Lbs	250Kgs / 550Lbs	340Kgs / 750Lbs	485Kgs / 1000Lbs

* Dimensions are without side panels

PERFORMER SELF SERVE A2 (REMOTE)					
TECHNICAL FEATURES		MODELS			
		PERFORMER SS A2 1150	PERFORMER SS A2 1650	PERFORMER SS A2 2150	PERFORMER SS A2 A90
External dimensions (L-D-H)	Inches	46 7/8" - 40 13/16" - 34 5/8"	66 9/16" - 40 13/16" - 34 5/8"	86 1/4" - 40 13/16" - 34 5/8"	64 15/16" - 40 13/16" - 34 5/8"
	Inches-MM	1190 - 1036 - 880	1690 - 1036 - 880	2190 - 1036 - 880	1650 - 1036 - 880
Crated dimensions (L-D-H)	Inches	53 7/8" - 46" - 40"	73 5/8" - 46" - 40"	93 1/4" - 46" - 40"	70 7/8" - 46" - 40"
	Inches-MM	1370 - 1168 - 1016	1870 - 1168 - 1016	2370 - 1168 - 1016	1800 - 1168 - 1016
Refrigerated Display Area	Type	Deck	Deck	Deck	Deck
Operating Temperature	°F	41°F	41°F	41°F	41°F
Compressor	Nr./Type	Hermetic	Hermetic	Hermetic	Hermetic
BTU'S @ +14°F Evap Temperature	BTU'S	5680 BTU'S	6520 BTU'S	7210 BTU'S	8500 BTU'S
Electric Supply	(V)	208/220V	208/220V	208/220V	208/220V
Power Consumption (Remote)	(A)	2A	3A	4A	5A
Defrost	Mode/Type	Electric	Electric	Electric	Electric
Climatic Class	N°/°C/F°/H.R.	3/24/77/55%	3/24/77/55%	3/24/77/55%	3/24/77/55%
Refrigerant Gas	Type	R404A	R404A	R404A	R404A
Net Weights	Kg/Lb	150Kgs / 330Lbs	240Kgs / 528Lbs	290Kgs / 638Lbs	390Kgs / 850Lbs
Crated Weights	Kg/Lb	175Kgs / 384Lbs	250Kgs / 550Lbs	340Kgs / 750Lbs	535Kgs / 1179Lbs

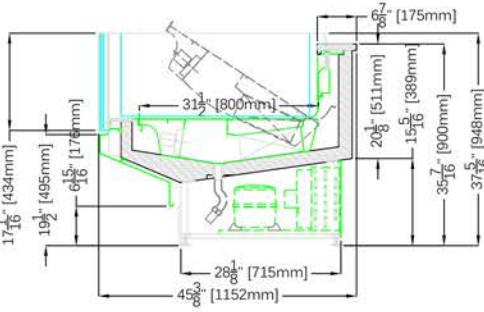
* Dimensions are without side panels



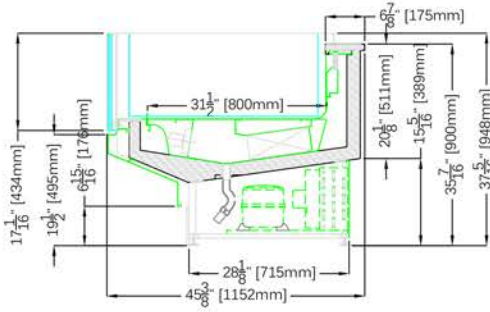
361-367 Beach Road, Burlingame, CA 94010
 Tel: 855.885.2400 | 650.342.2400 | Fax: 650.342.7400
 sales@oscartek.com | www.oscartek.com



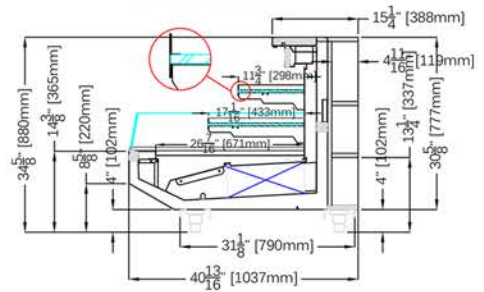
**LINEAR SECTION VIEW
(AVAILABLE SELF CONTAINED)**



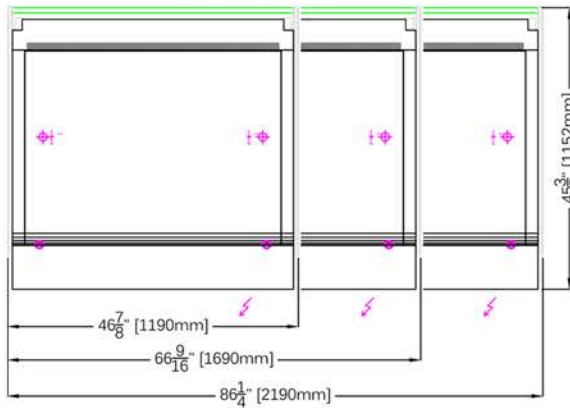
**A1 A90 SECTION VIEW
(AVAILABLE SELF CONTAINED)**



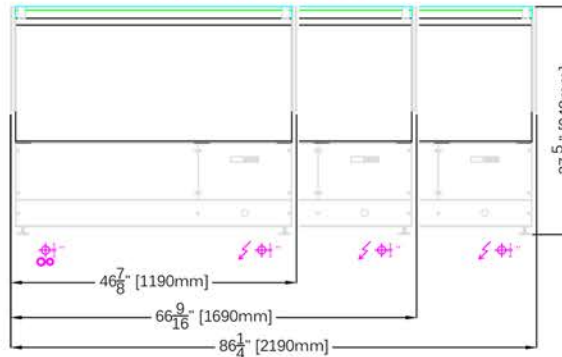
**A2 A90 SECTION VIEW
(REMOTE)**



**LINEAR A1 - 45 3/8"D
PLAN VIEW**



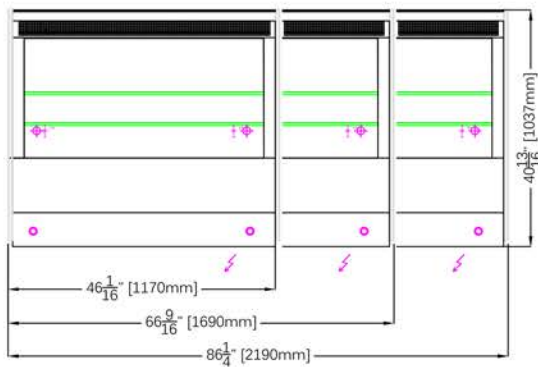
**LINEAR A1
REAR ELEVATION**



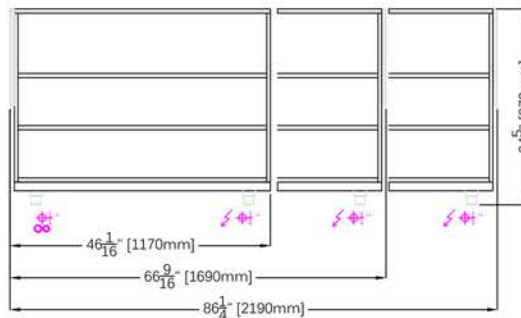
ELECTRICAL LEGEND

	1/4" DRAIN
	REFRIGERATION LINES: 3/8" LIQUID, 5/8" SUCTION
	POWER

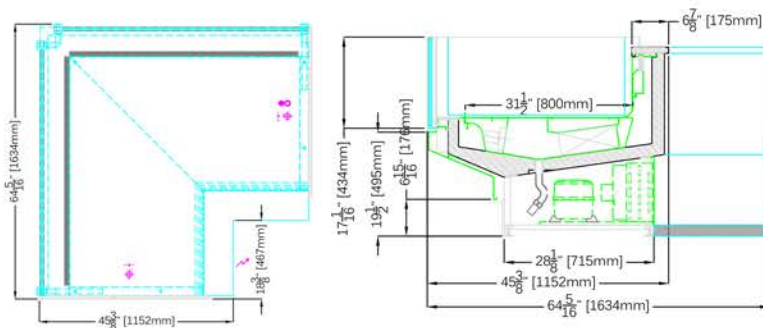
**LINEAR A2 - 40 13/16"D
PLAN VIEW**



**LINEAR A2
REAR ELEVATION**



**A1 A90 PLAN & SECTION VIEW
(AVAILABLE SELF CONTAINED)**



**A2 A90 PLAN & SECTION VIEW
REMOTE**

