

Pozzetti

Old Tradition display is back in style



This Old fashion style dipping case for Italian ice cream and Gelato has the newest and most updated technology. ETL approved for UL and NSF, high powdered interior fans to keep even temperature. Rounded body interior on corners and all stainless construction; this Pozzetti Gelato case is truly one of a kind and a real attraction in any location.



Discover the Art of Display...

Pozzetti Photos





STANDARD FEATURES

Energy efficient air cooled condensing unit
 One piece molded body using 3' ecologic polyurethane insulation
 High performance
 Fan assisted with equalized temperature embedded coil and thermostatic valve
 Climate class 4 (+86°F/55% R.H.)
 AISI304 stainless steel external finish top and back stainless steel interior
 Ecological polyurethane foam insulation
 Stainless steel scotch brite adjustable feet, gray steel frame support
 Digital control panel
 Flexible arrangement that can be multiplexed and customized to fit customer layout
 Cases ship standard unfinished

OPTIONS

Sneeze guard
 240oz. stainless steel container;
 Stainless steel cylindrical containers dim. Ø 7 1/2"-9 3/4"H.
 Approximately 7 liters
 Ventilated refrigeration
 Fan ventilated refrigeration system to equalized temperature inside the cabinet
 Condensing unit
 Water cooled condensing system
 Remote condensing unit
 Electric heated condensate pan
 Custom front and side paneling
 Stainless steel scoop washer with fixed water tap
 Reinforced wood crate
 Casters

POZZETTI WITH STORAGE (REMOTE)

TECHNICAL FEATURES		MODELS					
		POZZETTI PSR2	POZZETTI PSR4	POZZETTI PSR6	POZZETTI PSR8	POZZETTI PSR10	POZZETTI PSR12
External dimensions (L-D-H)	Inches	19 11/16" - 25 13/16" - 36 5/8"	29 1/2" - 25 13/16" - 36 5/8"	39 3/8" - 25 13/16" - 36 5/8"	49 3/16" - 25 13/16" - 36 5/8"	59 3/8" - 25 13/16" - 36 5/8"	78 3/4" - 25 13/16" - 36 5/8"
	Inches-MM	500 - 655 - 931	750 - 655 - 931	1000 - 655 - 931	1250 - 655 - 931	1507 - 655 - 931	2000 - 655 - 931
Crated dimensions (L-D-H)	Inches	25" - 31" - 42"	35" - 31" - 42"	45" - 31" - 42"	55" - 31" - 42"	65" - 31" - 42"	85" - 31" - 42"
	Inches-MM	635 - 787 - 1066	889 - 787 - 1066	1143 - 787 - 1066	1397 - 787 - 1066	1651 - 787 - 1066	2159 - 787 - 1066
Refrigeration	Type	Static Only	Static / Ventilated	Static / Ventilated	Static / Ventilated	Static / Ventilated	Static / Ventilated
No. of Containers (240 oz.)	#	4	8	12	16	20	24
Compressor	Nr./Type	1	1	1	1	1	1
Compressor (PwH*pw)	(Pw-HP)	230-1/3	310-5/8	310-5/8	450-3/4	600-1,2	310-5/8
BTU's @ -25°F Evap							
Temperature	BTU'S	832 BTU'S	1280 BTU'S	2048 BTU'S	2528 BTU'S	3200 BTU'S	2048 BTU'S (2)
Power Supply	(V/Ph/Hz)	115/1/60	115/1/60	115/1/60	115/1/60	115/1/60	115/1/60 (2)
Electrical Input (standard)*	(A)	2A	3A	4A	5A	6A	4A (2)
Defrost	Mode/Type	Off-Cycle	Off-Cycle	Off-Cycle	Off-Cycle	Off-Cycle	Off-Cycle
Climatic Class	N°	4	4	4	4	4	4
Operating Conditions	°C/°F - R.H.%	30/86-55	30/86-55	30/86-55	30/86-55	30/86-55	30/86-55
Refrigerant	Type	R404A	R404A	R404A	R404A	R404A	R404A
Net Weights	Lb	175Lbs	260Lbs	335Lbs	444Lbs	523Lbs	774Lbs
Crated Weights	Lb	325Lbs	469Lbs	578Lbs	719Lbs	809Lbs	1231Lbs

* Display case ONLY - Amperage DOES NOT INCLUDED CONDENSING UNIT

POZZETTI WITH STORAGE (SELF CONTAINED)

TECHNICAL FEATURES		MODELS					
		POZZETTI PS2	POZZETTI PS4	POZZETTI PS6	POZZETTI PS8	POZZETTI PS10	POZZETTI PS12
External dimensions (L-D-H)	Inches	39 3/8" - 25 13/16" - 36 5/8"	49 3/16" - 25 13/16" - 36 5/8"	59 1/16" - 25 13/16" - 36 5/8"	68 7/8" - 25 13/16" - 36 5/8"	79 1/16" - 25 13/16" - 36 5/8"	98 7/16" - 25 13/16" - 36 5/8"
	Inches-MM	1000 - 655 - 931	1250 - 655 - 931	1500 - 655 - 931	1750 - 655 - 931	2007 - 655 - 931	2500 - 655 - 931
Crated dimensions (L-D-H)	Inches	25" - 31" - 42"	35" - 31" - 42"	45" - 31" - 42"	55" - 31" - 42"	65" - 31" - 42"	105" - 31" - 42"
	Inches-MM	635 - 787 - 1066	889 - 787 - 1066	1143 - 787 - 1066	1397 - 787 - 1066	1651 - 787 - 1066	2667 - 787 - 1066
Refrigeration	Type	Static / Ventilated	Static / Ventilated	Static / Ventilated	Static / Ventilated	Static / Ventilated	Static / Ventilated
No. of Containers (240 oz.)	#	4	8	12	16	20	24
Compressor	Nr./Type	1	1	1	1	1	1
Compressor	(Pw-HP)	230-1/3	310-5/8	310-5/8	450-3/4	600-1,2	310-5/8
Power Supply	(V/Ph/Hz)	115/1/60	115/1/60	115/1/60	115/1/60	115/1/60	115/1/60
Electrical Input (standard)	(W/A)	5.1A	7.2A	7.5A	7.5A	11.2A	15A
Defrost	Mode/Type	Off-Cycle	Off-Cycle	Off-Cycle	Off-Cycle	Off-Cycle	Off-Cycle
Climatic Class	N°	4	4	4	4	4	4
Operating Conditions	°C/°F - R.H.%	30/86-55	30/86-55	30/86-55	30/86-55	30/86-55	30/86-55
Refrigerant	Type	R404A	R404A	R404A	R404A	R404A	R404A
Net Weights	Lb	250Lbs	335Lbs	410Lbs	519Lbs	609Lbs	820Lbs
Crated Weights	Lb	400Lbs	544Lbs	653Lbs	794Lbs	884Lbs	1306Lbs

* Manufacturer reserves the right to change specifications without notice. Not responsible for error and omissions.

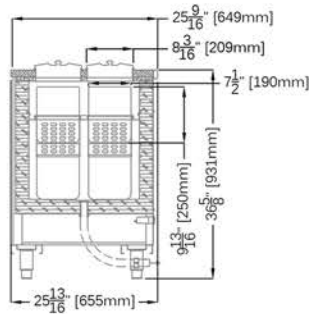


361-367 Beach Road, Burlingame, CA 94010
 Tel: 855.885.2400 | 650.342.2400 | Fax: 650.342.7400
 sales@oscartek.com | www.oscartek.com

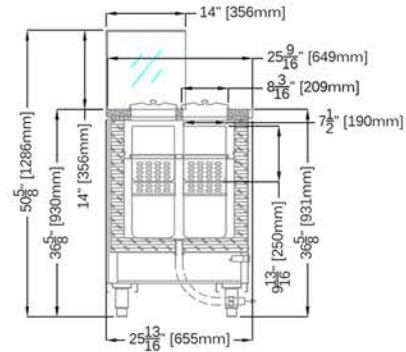




STANDARD SIDE VIEW

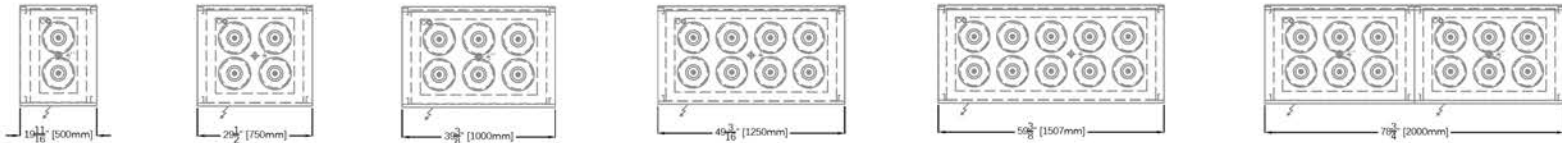


OPTIONAL: SNEEZE GUARD SIDE VIEW

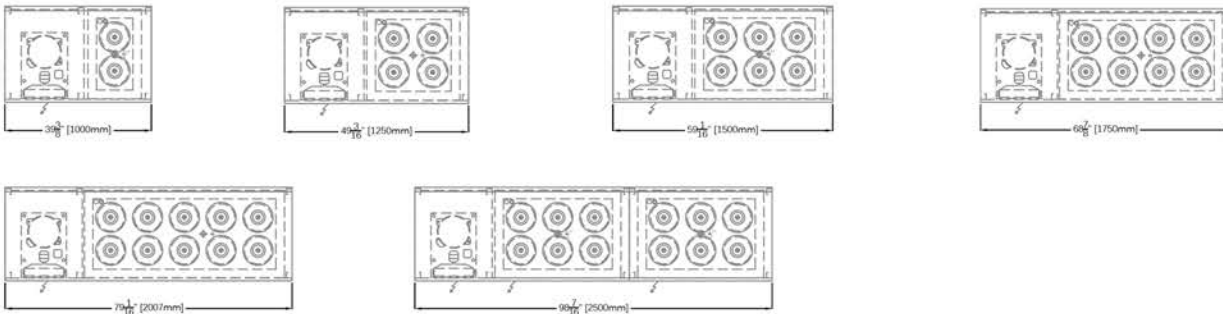


PLAN VIEWS

REMOTE:

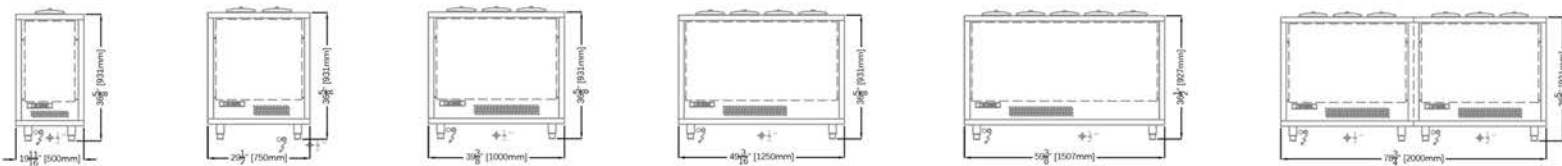


SELF CONTAINED:

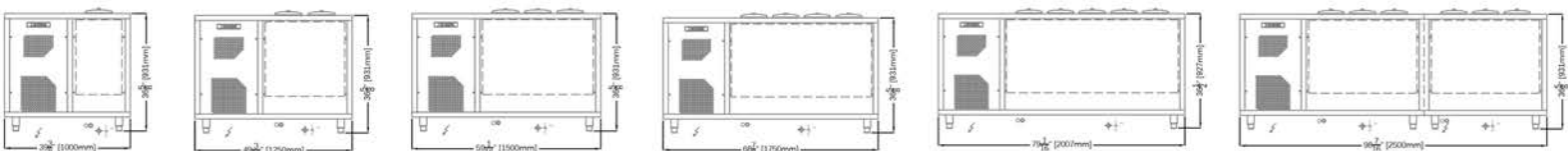


REAR ELEVATION (OPERATOR SIDE)

REMOTE:



SELF CONTAINED:



* Manufacturer reserves the right to change specifications without notice. Not responsible for error and omissions.



361-367 Beach Road, Burlingame, CA 94010
 Tel: 855.885.2400 | 650.342.2400 | Fax: 650.342.7400
 sales@oscartek.com | www.oscartek.com





STANDARD FEATURES

- Energy efficient air cooled condensing unit
- One piece molded body using 3' ecologic polyurethane insulation
- High performance
- Static refrigeration with embedded coil and thermostatic valve
- Climate class 4 (+86°F/55% R.H.)
- AISI304 stainless steel external finish top and back stainless interior
- Ecological polyurethane foam insulation
- Stainless steel scotch brite adjustable feet, gray steel frame support
- Digital control panel
- Flexible arrangement can be multiplexed and customized to fit customer layout
- Cases ship standard unfinished

OPTIONS

- Sneeze guard
- 24Ooz. stainless steel container; Stainless steel cylindrical containers dim. Ø 7 1/2"-9 3/4"H.
- Approximately 7 liters
- Water cooled condensing system
- Remote condensing unit
- Electric heated condensate pan
- Custom front and side paneling
- Stainless steel scoop washer with fixed water tap
- Reinforced wood crate
- Castors



POZZETTI WITHOUT STORAGE

TECHNICAL FEATURES		MODELS					
		POZZETTI P2	POZZETTI P4	POZZETTI P6	POZZETTI P8	POZZETTI P10	POZZETTI P12
External dimensions (L-D-H)	Inches	19 11/16" - 25 13/16" - 36 5/8"	29 1/2" - 25 13/16" - 36 5/8"	39 3/8" - 25 13/16" - 36 5/8"	49 3/16" - 25 13/16" - 36 5/8"	59 3/8" - 25 13/16" - 36 5/8"	78 3/4" - 25 13/16" - 36 5/8"
	MM	500 - 655 - 931	750 - 655 - 931	1000 - 655 - 931	1250 - 655 - 931	1507 - 655 - 931	2000 - 655 - 931
Crated dimensions (L-D-H)	Inches	25" - 31" - 42"	35" - 31" - 42"	45" - 31" - 42"	55" - 31" - 42"	65" - 31" - 42"	85" - 31" - 42"
	MM	635 - 787 - 1066	889 - 787 - 1066	1143 - 787 - 1066	1397 - 787 - 1066	1651 - 787 - 1066	2159 - 787 - 1066
Refrigeration	Type	Static	Static	Static	Static	Static	Static
No. of Containers (240 oz.)	#	2	4	6	8	10	12
Compressor	Nr./Type	1	1	1	1	1	1 (2)
Compressor	(Pw-HP)	230-1/3	230-1/3	310-5/8	310-5/8	310-5/8	310-5/8
BTU's @ -25°F Evap	BTU'S	832 BTU'S	1280 BTU'S	2048 BTU'S	2528 BTU'S	3200 BTU'S	4096 BTU'S
Power Supply	(V/Ph/Hz)	115/1/60	115/1/60	115/1/60	115/1/60	115/1/60	115/1/60 (2)
Electrical Input (standard)	(W/A)	5.1A	5.2A	7.3A	7.5A	7.7A	7.3A (2)
Defrost	Mode/Type	Off-Cycle	Off-Cycle	Off-Cycle	Off-Cycle	Off-Cycle	Off-Cycle
Climatic Class	N°/C°/F°/H.R.	4	4	4	4	4	4
Operating Conditions	---	55	55	55	55	55	55
Refrigerant	Type	R404A	R404A	R404A	R404A	R404A	R404A
Net Weights	Lb	200Lbs	260Lbs	330Lbs	419Lbs	508Lbs	660Lbs
Crated Weights	Lb	350Lbs	469Lbs	573Lbs	694Lbs	764Lbs	1146Lbs

* Manufacturer reserves the right to change specifications without notice. Not responsible for error and omissions.

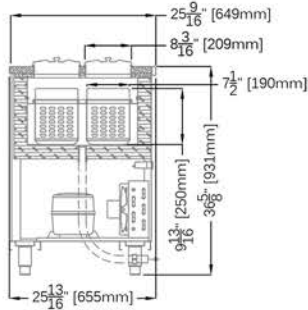


361-367 Beach Road, Burlingame, CA 94010
 Tel: 855.885.2400 | 650.342.2400 | Fax: 650.342.7400
 sales@oscartek.com | www.oscartek.com

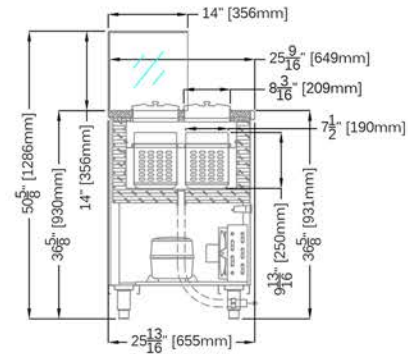




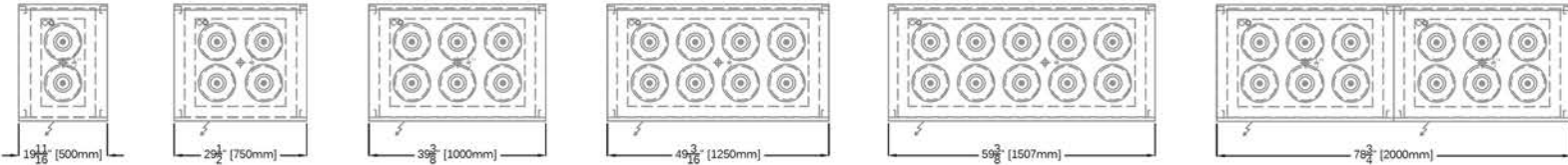
STANDARD SIDE VIEW



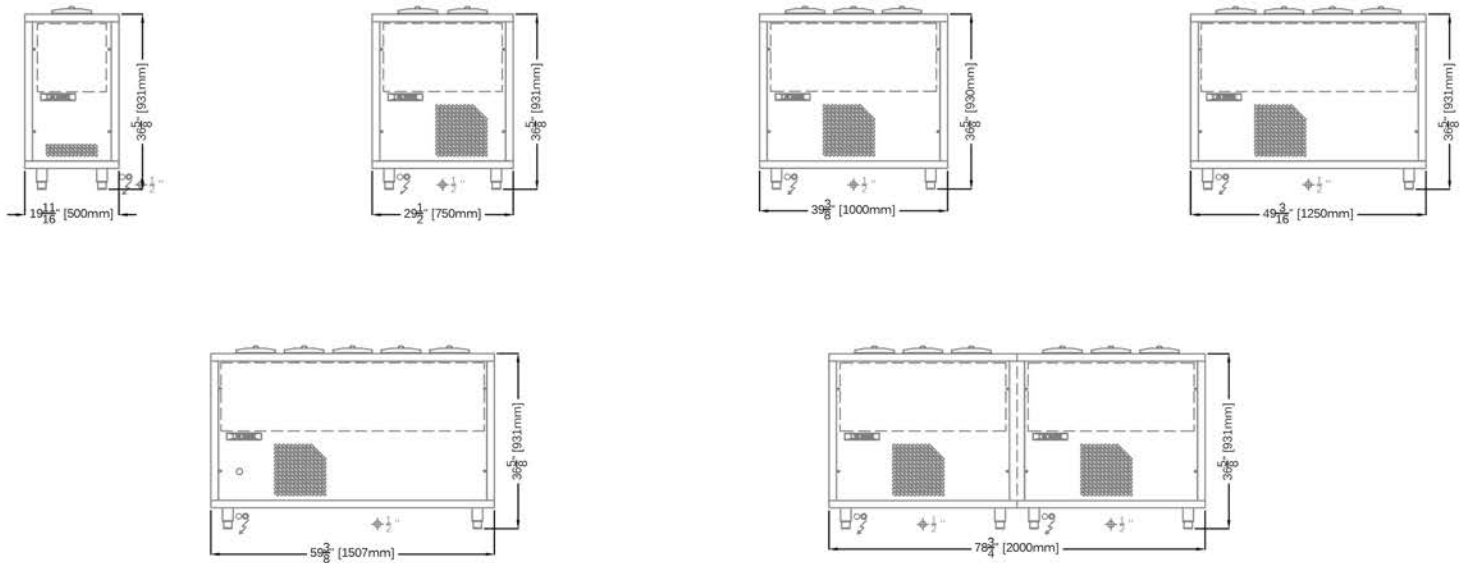
OPTIONAL: SNEEZE GUARD SIDE VIEW



PLAN VIEWS



REAR ELEVATION (OPERATOR SIDE)



* Manufacturer reserves the right to change specifications without notice. Not responsible for error and omissions.



361-367 Beach Road, Burlingame, CA 94010
 Tel: 855.885.2400 | 650.342.2400 | Fax: 650.342.7400
 sales@oscartek.com | www.oscartek.com

