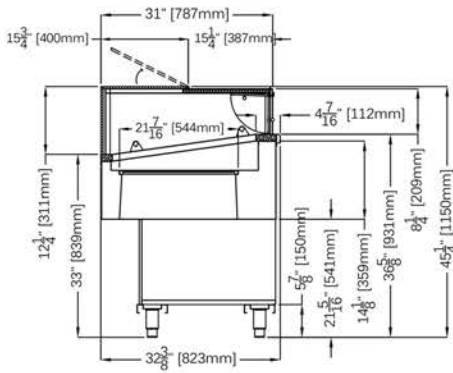
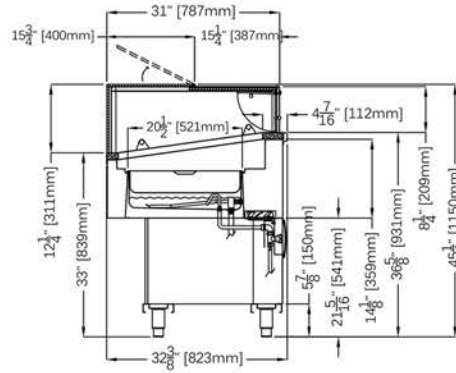


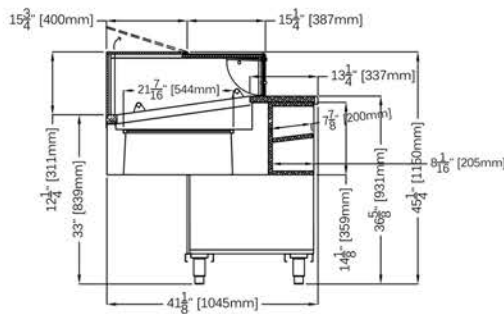
### CS (DRY)



### CBM (BAIN MARIE)



### OPTIONAL: PREMIUM VERSION



### STANDARD FEATURES

- LED lighting system
- Lift-up top glass
- Patented upper sliding glass system
- Cases ship standard unfinished

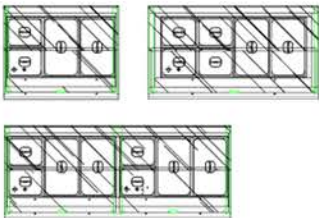
### OPTIONS

- Working top perimiter (brushed s/s, corian, black, HPL, granite)
- Casters
- PREMIUM version

ROSA HOT (CS-DRY)				
TECHNICAL FEATURE		MODELS		
		ROSA CS1000	ROSA CS1500	ROSA CS2000
External Dimensions (L-D-H)	Inches	39 1/4" - 32 3/8" - 45 1/4"	59" - 32 3/8" - 45 1/4"	78 3/4" - 32 3/8" - 45 1/4"
	Inches-MM	1000-823-1150	1500-823-1150	2000-823-1150
Crated Dimensions (L-D-H)	Inches	53 1/8" - 40 1/2" - 55 1/4"	75" - 40 1/2" - 55 1/4"	90 1/2" - 40 1/2" - 55 1/4"
	Inches-MM	1350-1030-1400	1900-1030-1400	2300-1030-1400
Power Supply	(V)	208-220V	208-220V	208-220V
Power Consumption	(W)	500W	1000W	1210W
Operating Temperature	°C / °F	80°C / 177°F	80°C / 177°F	80°C / 177°F
Net Weights	Kg/Lb	104Kgs / 239Lbs	144Kgs / 331Lbs	188Kgs / 432Lbs
Crated Weights	Kg/Lb	124Kgs / 285Lbs	170Kgs / 391Lbs	205Kgs / 470Lbs

\* Dimensions are without side panels

### CBM (Bain Marie) Layouts:



ROSA HOT (CBM- BAIN MARIE)				
TECHNICAL FEATURE		MODELS		
		ROSA CBM1000	ROSA CBM1500	ROSA CBM2000
External Dimensions (L-D-H)	Inches	39 1/4" - 32 3/8" - 45 1/4"	59" - 32 3/8" - 45 1/4"	78 3/4" - 32 3/8" - 45 1/4"
	Inches-MM	1000-823-1150	1500-823-1150	2000-823-1150
Crated Dimensions (L-D-H)	Inches	53 1/8" - 40 1/2" - 55 1/4"	75" - 40 1/2" - 55 1/4"	90 1/2" - 40 1/2" - 55 1/4"
	Inches-MM	1350-1030-1400	1900-1030-1400	2300-1030-1400
Power Supply	(V)	208-220V	208-220V	208-220V
Power Consumption	(W)	1500W	2030W	3040W
Operating Temperature	°C / °F	80°C / 177°F	80°C / 177°F	80°C / 177°F
Net Weights	Kg/Lb	104Kgs / 239Lbs	144Kgs / 331Lbs	188Kgs / 432Lbs
Crated Weights	Kg/Lb	124Kgs / 285Lbs	170Kgs / 391Lbs	205Kgs / 470Lbs

\* Dimensions are without side panels