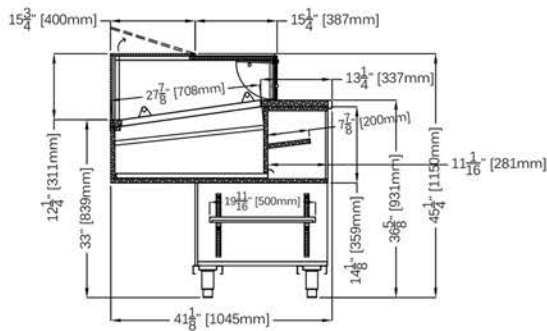


OPTIONAL: PREMIUM VERSION



STANDARD FEATURES

- LED lighting system
- Lift-up mechanism for the display plate and the evaporator
- Patented upper sliding glass system
- Cases ship standard unfinished

OPTIONS

- Stainless steel position step
- Stainless dry hot plate
- Working top perimter (brushed s/s, corian, black, HPL, granite)
- Remote condensing unit
- Casters
- PREMIUM version

ROSA NEUTRAL					
TECHNICAL FEATURES		MODELS			
		ROSA N900	ROSA N1300	ROSA N1700	ROSA N2106
External Dimensions (L-D-H)	Inches	35 1/2" - 32 3/8" - 45 1/4"	51 1/4" - 32 3/8" - 45 1/4"	67" - 32 3/8" - 45 1/4"	83" - 32 3/8" - 45 1/4"
	Inches-MM	900 - 823 - 1150	1300 - 823 - 1150	1700 - 823 - 1150	2106 - 823 - 1150
Crated Dimensions (L-D-H)	Inches	43 1/3" - 40 1/2" - 55 1/4"	60" - 40 1/2" - 55 1/4"	75" - 40 1/2" - 55 1/4"	90 1/2" - 40 1/2" - 55 1/4"
	Inches-MM	1100 - 1030 - 1400	1500 - 1030 - 1400	1900 - 1030 - 1400	2300 - 1030 - 1400
Power Supply	(V)	120V	120V	120V	120V
Amperage	(A)	2A	3A	4A	4A
Operating Temperature	°C / °F	Ambient	Ambient	Ambient	Ambient
Net Weights	Kg/Lb	94Kgs / 216Lbs	118Kgs / 271Lbs	130Kgs / 299Lbs	142Kgs / 327Lbs
Crated Weights	Kg/Lb	110Kgs / 253Lbs	138Kgs / 318Lbs	155Kgs / 356Lbs	172Kgs / 394Lbs

* Dimensions are without side panels



361-367 Beach Road, Burlingame, CA 94010
 Tel: 855.885.2400 | 650.342.2400 | Fax: 650.342.7400
 sales@oscartek.com | www.oscartek.com

