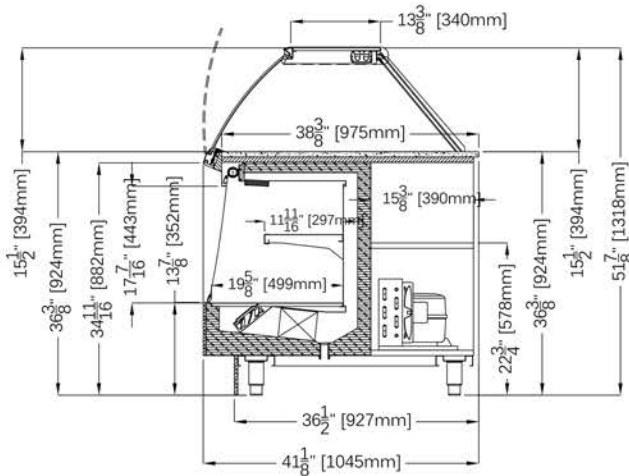


# VENTURA

# Combi/Self Serve Showcase



### STANDARD FEATURES

- LED lighting system
- Extra clear glass
- Tilt back front glass
- Top section non refrigerated
- Cases ship standard unfinished

### OPTIONS

- Stone top
- Remote condensing unit
- RAL color/laminate front and side panels
- Casters

VENTURA COMBI				
TECHNICAL FEATURES		MODELS		
		VENTURA VCOMBI1000	VENTURA VCOMBI1500	VENTURA VCOMBI2000
External Dimensions (L-D-H)	Inches	39 3/8" - 41 1/8" - 51 7/8"	59 1/16" - 41 1/8" - 51 7/8"	78 3/4" - 41 1/8" - 51 7/8"
	Inches-MM	1000 - 1045 - 1318	1500 - 1045 - 1318	2000 - 1045 - 1318
Crated Dimensions (L-D-H)	Inches	46" - 49" - 59"	67" - 49" - 59"	85" - 49" - 59"
	Inches-MM	1168 - 1244 - 1498	1701 - 1244 - 1498	2159 - 1244 - 1498
Refrigeration	Type	Ventilated	Ventilated	Ventilated
Refrigeration Display Area	Type	Deck / Shelves	Deck / Shelves	Deck / Shelves
Operating Temperature	°F	40°F	40°F	40°F
Compressor	Nr./Type	1 / Hermetic	1 / Hermetic	1 / Hermetic
BTU'S @ +14°F Evap Temperature	BTU'S	2600 BTU'S	3650 BTU'S	4220 BTU'S
Electric Supply	(V/Ph/Hz)	230/1/50 (UE) 220/1/60 (USA)	230/1/50 (UE) 220/1/60 (USA)	230/1/50 (UE) 220/1/60 (USA)
Power Consumption	(W/A)	1000W / 5.8A	1600W / 9A	1600W / 9A
Defrost	Mode/Type	Electric / Automatic	Electric / Automatic	Electric / Automatic
Climatic Class	N°/°C/F°/H.R.	4+/35/85/70%	4+/35/85/70%	4+/35/85/70%
Refrigerant Gas	Type	R404A	R404A	R404A
Net Weights	Kg/Lb	165Kgs / 364Lbs	335Kgs / 737Lbs	350Kgs / 770Lbs
Crated Weights	Kg/Lb	185Kgs / 410Lbs	375Kgs / 825Lbs	400Kgs / 880Lbs

\* DIMENSIONS ARE SHOWN WITHOUT SIDE PANELS

\* WITH SIDE PANELS ADD 3/8" ON BOTH ENDS



361-367 Beach Road, Burlingame, CA 94010  
 Tel: 855.885.2400 | 650.342.2400 | Fax: 650.342.7400  
 sales@oscartek.com | www.oscartek.com

