

WALL SHELVING DISPLAY (STANDARD)



STANDARD FEATURES

- NSF sanitation
- Dry back-wall element
- Sustaining bars with easy mounting system
- Lower shelf and ceiling in BA stainless steel
- Adjustable intermediate glass shelf
- Mirrored back-wall on exposition part and satin stainless steel on bottom part

OPTION: BACK WALL FRAME



OPTION: BACK WALL FRAME

WALL SHELVING DISPLAY (STANDARD) SPECIFICATIONS

| MODELS | LENGTHS | DEPTHS | HEIGHT | WEIGHTS (LBS) |
|--------|--------------|-----------------|------------------|---------------|
| WS1000 | 40" (1000mm) | 19 7/8" (506mm) | 88 3/4" (2255mm) | 143 |
| WS1250 | 50" (1250mm) | 19 7/8" (506mm) | 88 3/4" (2255mm) | 187 |
| WS1500 | 60" (1500mm) | 19 7/8" (506mm) | 88 3/4" (2255mm) | 220 |

WALL SHELVING DISPLAY (OPTION)

STANDARD (OPTION) FEATURES

- NSF sanitation
- Back-wall up to 235Hmm - 9 1/4"H
- One adjustable glass shelf
- Mirror back panel with laminated frame (ALPI wood or DE.CO. laminates)
- Silver aluminum canopy with LED lighting

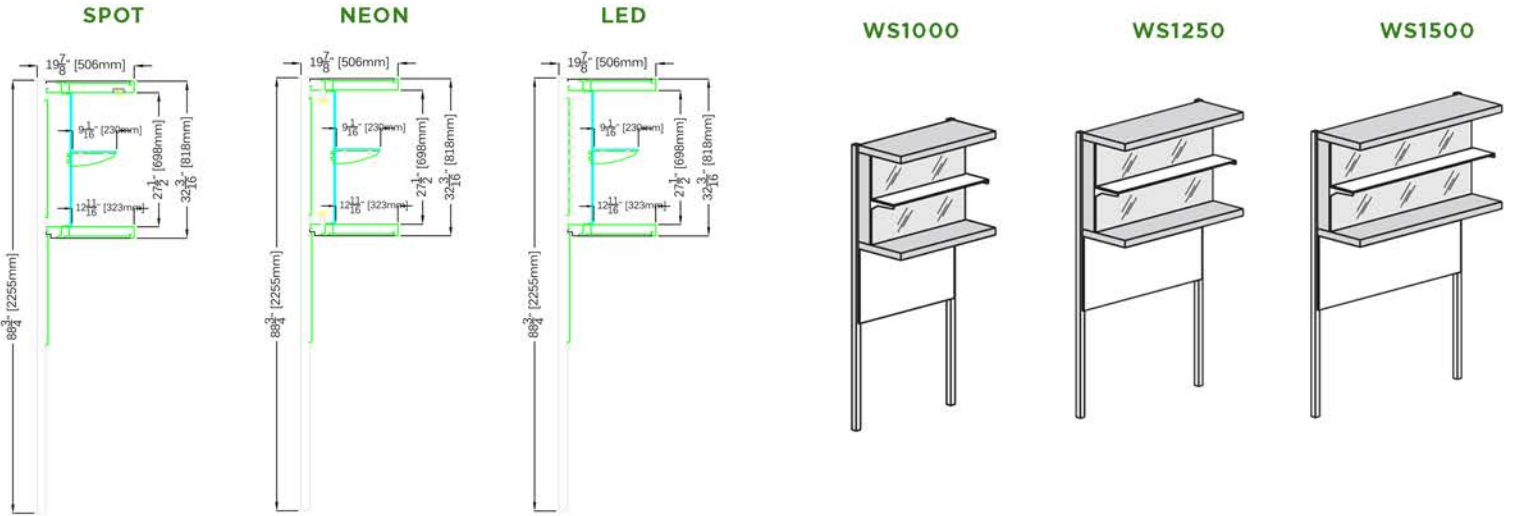


WALL SHELVING DISPLAY (OPTION) SPECIFICATIONS

| MODELS | LENGTHS | DEPTHS | HEIGHT | WEIGHTS (LBS) |
|---------|--------------|-----------------|------------------|---------------|
| WSL1000 | 40" (1000mm) | 11 3/8" (289mm) | 88 1/8" (2238mm) | 154 |
| WSL1250 | 50" (1250mm) | 11 3/8" (289mm) | 88 1/8" (2238mm) | 198 |
| WSL1500 | 60" (1500mm) | 11 3/8" (289mm) | 88 1/8" (2238mm) | 242 |
| WSLA90 | 50" (1250mm) | 11 3/8" (289mm) | 88 1/8" (2238mm) | 210 |
| WSLC90 | 60" (1500mm) | 11 3/8" (289mm) | 88 1/8" (2238mm) | 200 |

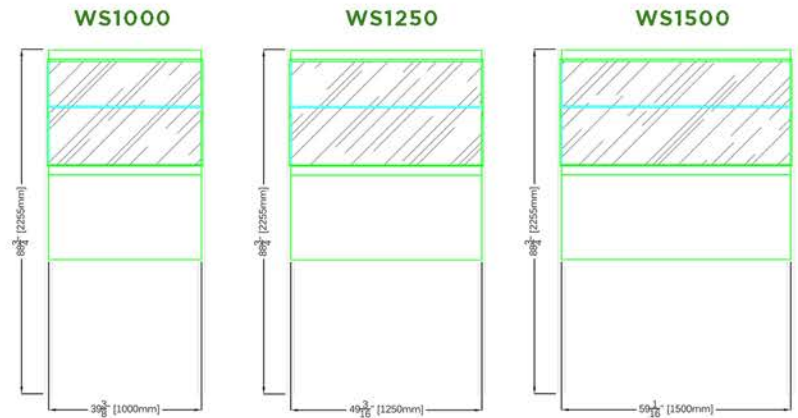
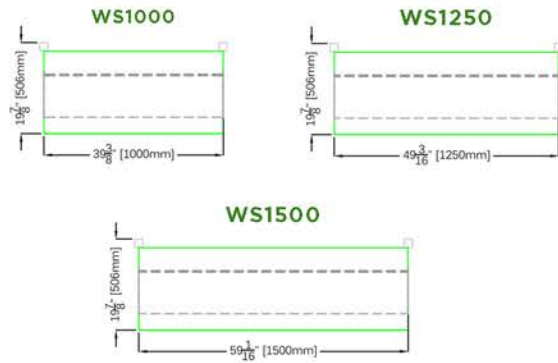


WALL SHELVING DISPLAY (STANDARD)



PLAN VIEWS

REAR ELEVATION (OPERATOR SIDE)



WALL SHELVING DISPLAY (OPTION)

